

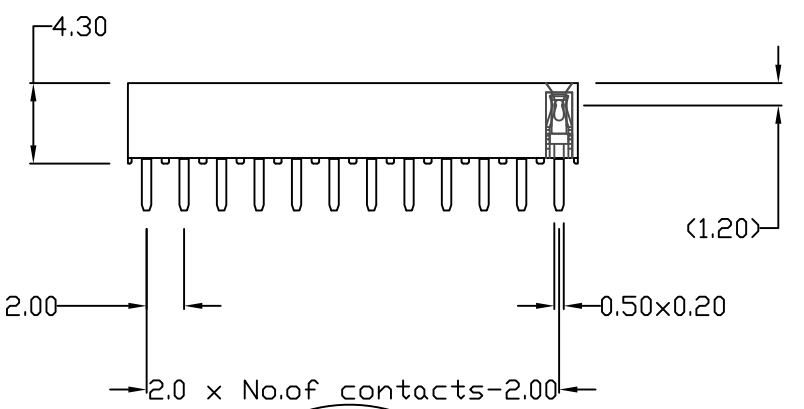
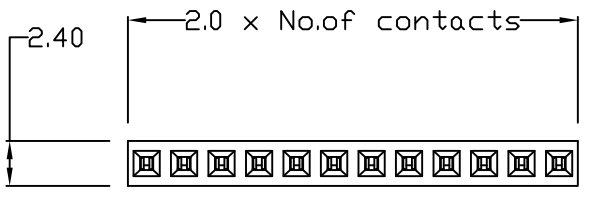
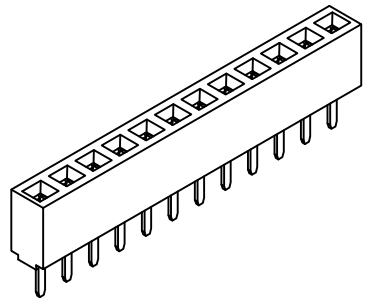
Description: 2mm Single Row Receptacle

**Material:**

Insulator: Nylon-6T, Black, UL 94V-O  
 Process Temperature: 260°C for 10 seconds  
 Contact: Phosphor Bronze

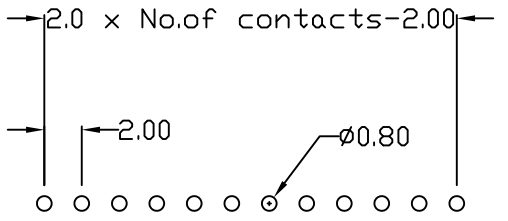
**Electrical:**

Current Rating: 2 Amps  
 Contact Resistance: 20 mOhms Max.  
 Insulation Resistance: 5000 MOhms Min.  
 Working Voltage: 250V  
 Temperature: -40° C TO +105° C



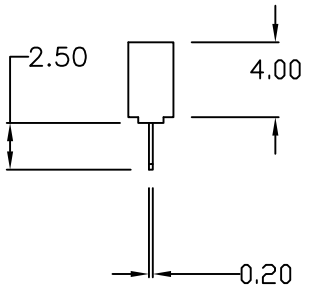
02~10 pin : 0.10mm  
 11~25 pin : 0.20mm  
 26~40 pin : 0.30mm

Recommended P.C. Board  
 Hole Layout



Units = mm

Tolerance  
 .X ±0.3  
 .XX ±0.20  
 .XXX ±0.100



**2 5 6 3 Y Y 0 1 R P 2**

**Series**  
 2563 = Single Row

**Position**  
 Single - Increments of 1  
 (03 to 40)

**Type**  
 01 = Straight

**Plating Options**  
 P2 = Gold Flash

	THESE DRAWINGS AND SPECIFICATIONS ARE THE PROPERTY OF NorComp AND SHALL NOT BE REPRODUCED, COPIED OR USED AS THE BASIS FOR THE MANUFACTURE OF SALE OF APPARATUS WITHOUT WRITTEN PERMISSION.		DRAWN: PAM JENKINS	DATE: 1-30-06
	<b>NorComp</b>		SCALE: NTS	SHEET 1 OF 1
DWG NO. 2563YY01RP2				