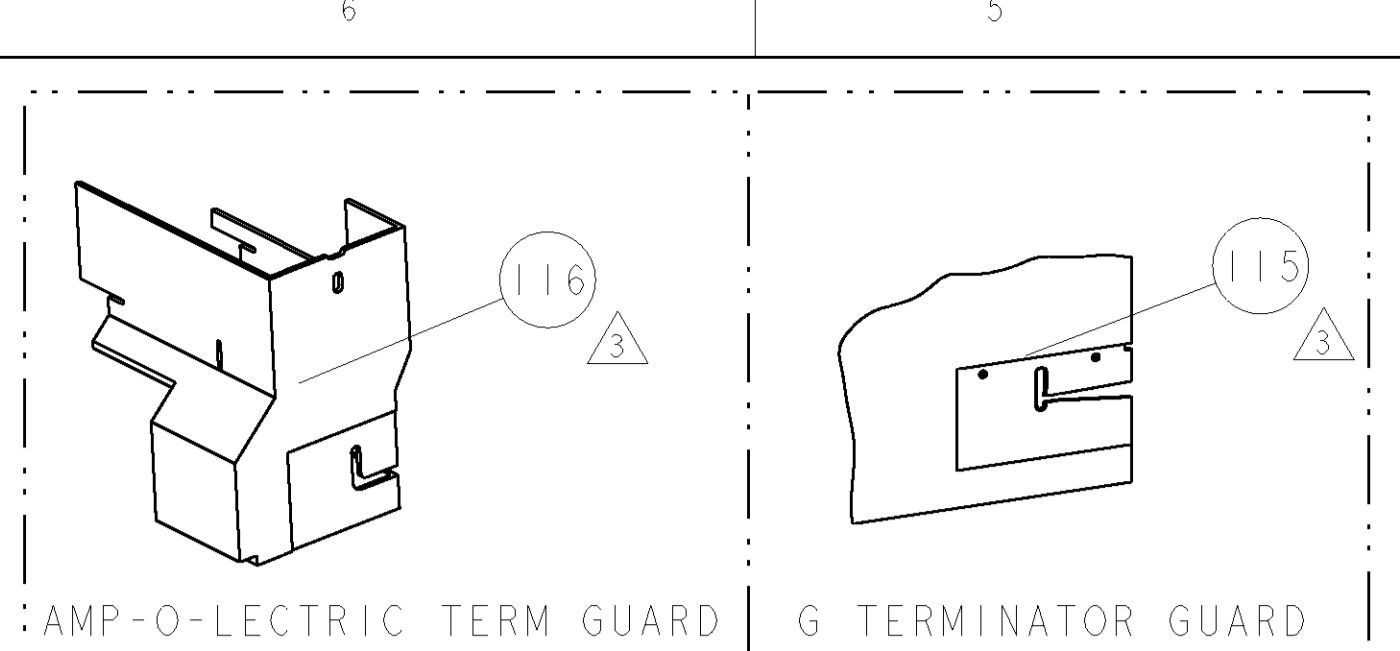


PART NUMBER	REV	FIRST USED	POWER UNIT	FEED TYPE	DESCRIPTION
1852243-1	A	122500-1	LEADMAKER	POST FEED	CUTS CARRIER
1852243-2	A	565435-5	BENCH MODEL K	PRE FEED	CUTS CARRIER
1852243-3	A	354500-1	BENCH MODEL G	PRE FEED	CUTS CARRIER
1852243-6	A	122500-1	LEADMAKER	POST FEED	CONTINUOUS CARRIER
7-1852243-7	A	-	-	-	SPARE PARTS

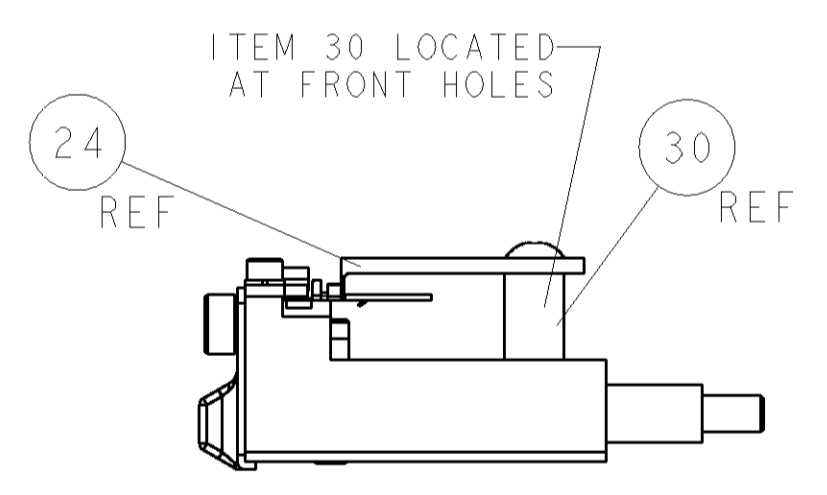
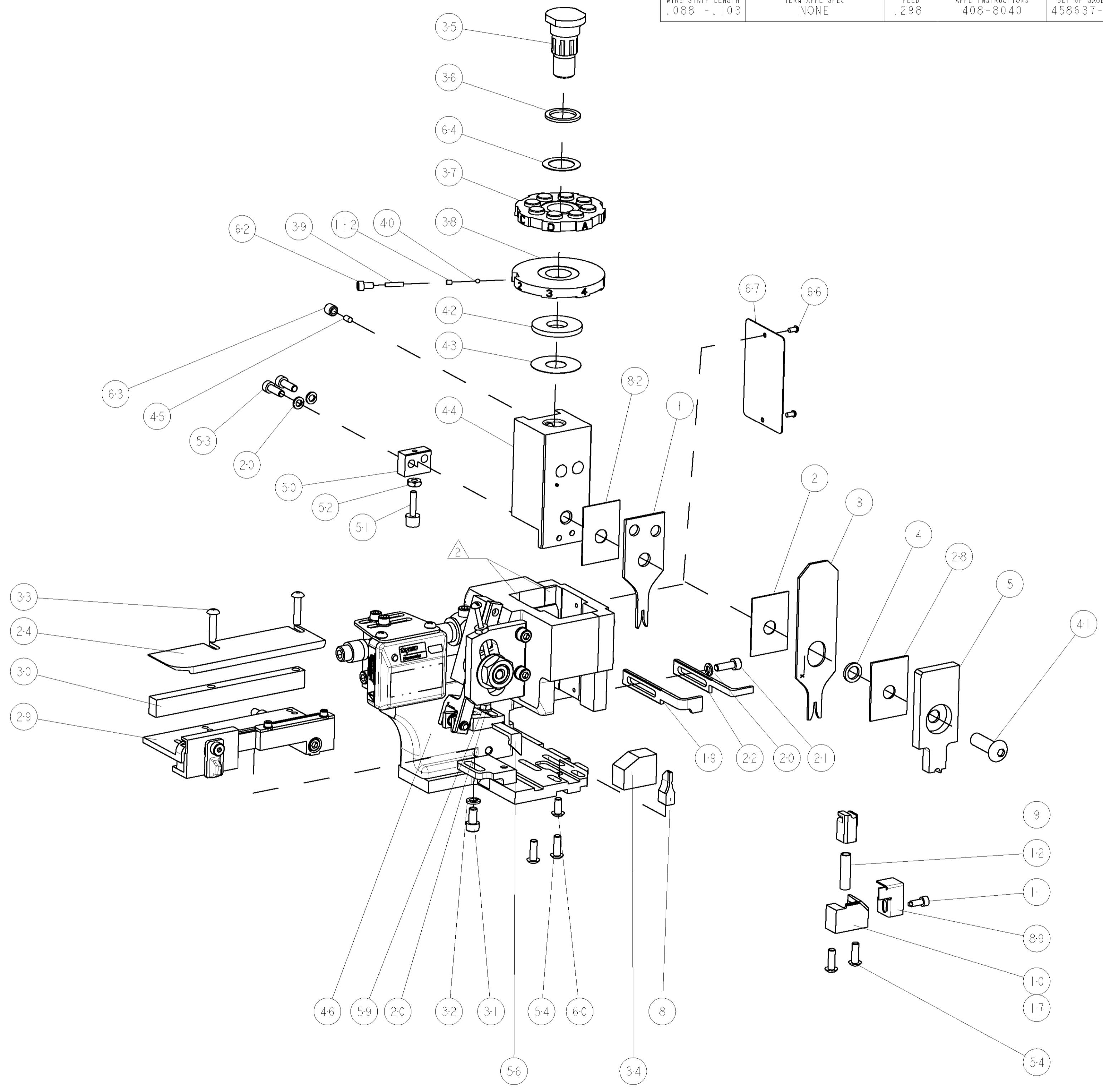
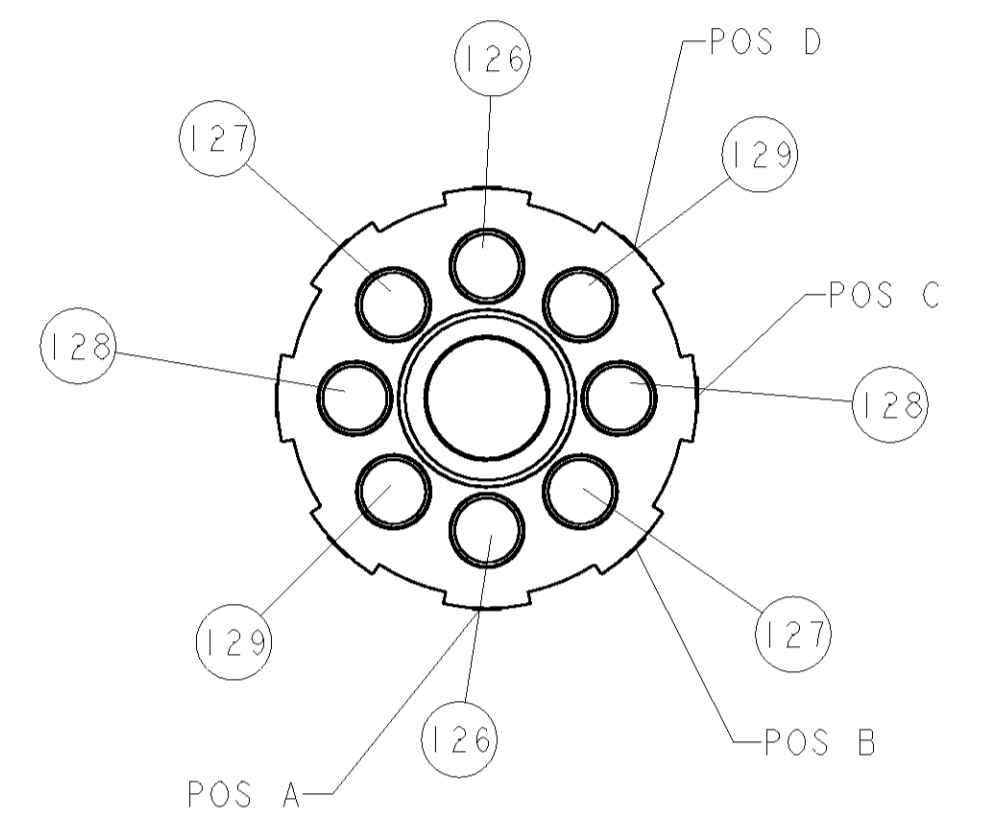


TERMINAL NAME: 2.5mm (.098) WIRE TO WIRE PLUG

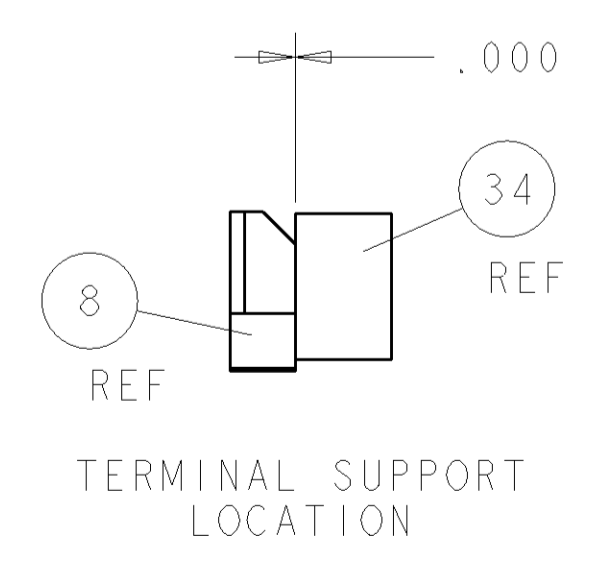
AMP PN	CVILUX PN	CVILUX TERMINAL - AMP CRIMP SPECS
1949021	CP06T021BEP	
		CRIMP HEIGHT
	A	.038±.002 [.97±0.05mm]
	B	.035±.002 [.89±0.05mm]
	C	.033±.002 [.84±0.05mm]
	D	.032±.002 [.81±0.05mm]
		CRIMP SIZE
		TYPE
		RANGE
		WIRE .055 [1.40mm]
		INSUL .070 [1.78mm]
		F 28-22 AWG
		F Ø.054 MAX
WIRE STRIP LENGTH .088 - .103	TERM APPL SPEC NONE	FEED .298
		APPL INSTRUCTIONS 408-8040
		SET UP GAGE 458637-1

LOC	DIST	REV	DESCRIPTION	DATE	DWN	APPR
A	66		RELEASED	01MAY2006	RK	GB

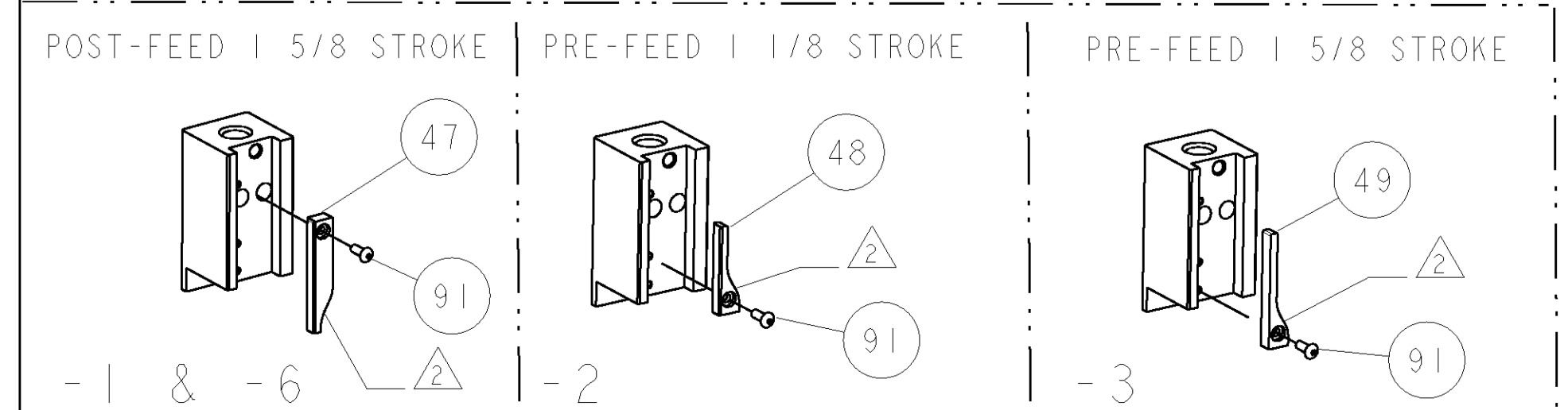
- △ RECOMMENDED SPARE PARTS
- △ GREASE LIGHTLY
- △ GUARD MUST BE IN PLACE WHEN OPERATING APPLICATOR IN A BENCH MACHINE



FEED TRACK POSITION



QTY	REV	DESCRIPTION	ITEM NO					
-	2	2	2	2	-	5-354779-0	PIN, WIRE DISC, .3240	129
-	2	2	2	2	-	4-354779-8	PIN, WIRE DISC, .3230	128
-	2	2	2	2	-	4-354779-4	PIN, WIRE DISC, .3210	127
-	2	2	2	2	-	3-354779-8	PIN, WIRE DISC, .3180	126
△	-	-	REF	-	-	455749-1	GUARD WINDOW	116
△	-	REF	-	-	-	679532-1	INSERT, GUARD	115
-	1	1	1	1	-	690603-1	SPRING ASSIST AMP-O-MATOR APPLICATOR	112
-	1	1	1	1	-	1-21002-7	SCR, BTN SKT HD CAP 6-32 X .375	91
-	1	1	1	1	-	318563-1	GUARD, FRONT CHIP	89
-	1	1	1	1	-	455888-5	SPACER, CRIMPER	82
-	1	1	1	1	-	4088040	SF APPL INST 408-8040	72
-	1	1	1	1	-	217238-1	GENERAL INSTRUCTION PKG	71
-	1	1	1	1	-	461264-1	PLATE, IDENTIFICATION	67
-	2	2	2	2	-	21017-2	SCREW, DRIVE	66
-	1	1	1	1	-	986950-1	WASHER, FLAT PRECISION	64
-	1	1	1	1	-	21009-2	SCR, SET, SELF LOCKING 1/4-20 X .250	63
-	1	1	1	1	-	23030-1	SCR, SKT HD CAP 6-32 X .25	62
-	1	1	1	1	-	22733-8	SCR, BHSC, SELF-LOCKING, 8-32 X .375	60
-	1	1	1	1	-	2-22603-0	SCR, HEX HD CAP 8-32 X .312	59
-	1	1	1	1	-	458537-2	PAWL, FEED	56
-	4	4	4	4	-	2-21002-2	SCR, BTN SKT HD CAP 8-32 X .500	54
-	2	2	2	2	-	2-21000-7	SCR, SKT HD CAP 8-32 X .500	53
-	1	1	1	1	-	21018-5	NUT, HEX, REG 6-32	52
-	1	1	1	1	-	811242-2	BUMPER, HOLD DOWN	51
-	1	1	1	1	-	690753-1	SPACER, TONKER	50
-	-	1	-	-	-	690602-6	CAM, PRE FEED, 1 5/8	49
-	1	-	-	-	-	690501-4	CAM, POST FEED, 1 5/8	47
-	1	1	1	1	-	459456-1	APPL. BASIC SUB ASSY (SIDE WISE MOCA)	46
-	1	1	1	1	-	690191-1	PLUG, NYLON	45
-	1	1	1	1	-	455673-1	RAM, SIDE FEED	44
-	1	1	1	1	-	690125-1	SHIM SUB-ASSY	43
-	1	1	1	1	-	690124-1	WASHER, RAM (.115)	42
-	1	1	1	1	-	7-21002-9	SCR, BTN SKT HD CAP 5/16-24 X 1.00	41
-	1	1	1	1	-	23241-6	BALL, STEEL	40
-	1	1	1	1	-	690170-1	SPRING, COMPRESSION	39
-	1	1	1	1	-	690142-1	DISC, INSULATION	38
-	1	1	1	1	-	354777-1	WIRE DISC, ASSEMBLY	37
-	1	1	1	1	-	22480-5	SPRING, COMPRESSION	36
-	1	1	1	1	-	690212-1	POST, RAM	35
-	1	1	1	1	-	690786-3	TERMINAL SUPPORT	34
-	2	2	2	2	-	2-21002-4	SCR, BTN SKT HD CAP 8-32 X .750	33
-	1	1	1	1	-	21024-5	WASHER, SPRG LOCK, REG NO 10	32
-	1	1	1	1	-	3-21000-4	SCR, SKT HD CAP 10-32 X .375	31
-	1	1	1	1	-	1320908-9	SPACER, STRIP GUIDE	30
-	1	1	1	1	-	1633091-2	ASSEMBLY, STRIP GUIDE	29
-	1	1	1	1	-	1-455888-0	SPACER, CRIMPER	28
-	1	1	1	1	-	1320928-1	PLATE, STRIP GUIDE	24
-	1	-	-	-	-	690472-2	STRIPPER	22
-	1	1	1	1	-	2-21000-7	SCR, SKT HD CAP 8-32 X .500	21
-	4	4	4	4	-	21024-4	WASHER, SPRG LOCK, REG NO 8	20
-	-	1	1	-	-	691353-1	STRIPPER	19
△	-	1	-	-	-	679625-1	SHEAR HOLDER, FRONT (NO CUT)	17
-	1	1	1	1	-	3-22280-3	SPRING, COMPRESSION	12
-	1	1	1	1	-	690461-1	STOP, SHEAR	11
△	-	1	1	1	-	690459-1	SHEAR HOLDER, FRONT	10
△	-	1	1	1	-	462006-1	FLOATING SHEAR, FRONT	9
△	1	1	1	1	-	4-1633117-5	ANVIL, COMBINATION	8
-	1	1	1	1	-	2-455889-0	DEPRESSOR, SHEAR	5
-	1	1	1	1	-	2-238011-5	BLOCK, CRIMPER SPACER	4
△	1	1	1	1	-	9-683453-4	CRIMPER, INSULATION PREMIUM	3
-	1	1	1	1	-	455888-5	SPACER, CRIMPER	2
△	1	1	1	1	-	1-456402-5	CRIMPER, WIRE PREMIUM	1



DIMENSIONS: INCHES		TOLERANCES UNLESS OTHERWISE SPECIFIED:		DWG: R. KNEPPER 18APR2006		CHK: G. BALLEY 01MAY2006		APPR: T. BENCHOFF 01MAY2006		NAME: SIDE FEED HDM APPLICATOR	
0 PLC	±	1 PLC	±0.1	2 PLC	±0.01	3 PLC	±0.001	4 PLC	±0.0001	ANGLES	±0.0001
MATERIAL		FINISH		WEIGHT		SCALE: 3:5		SHEET 1 OF 1		REV A	

CUSTOMER VIEWABLE ASSEMBLY

# Mouser Electronics

Authorized Distributor

Click to View Pricing, Inventory, Delivery & Lifecycle Information:

[TE Connectivity:](#)

[1852243-6](#)