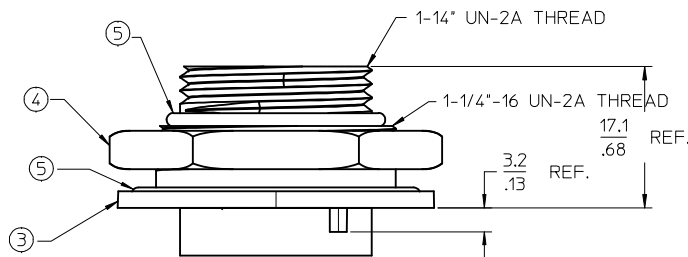
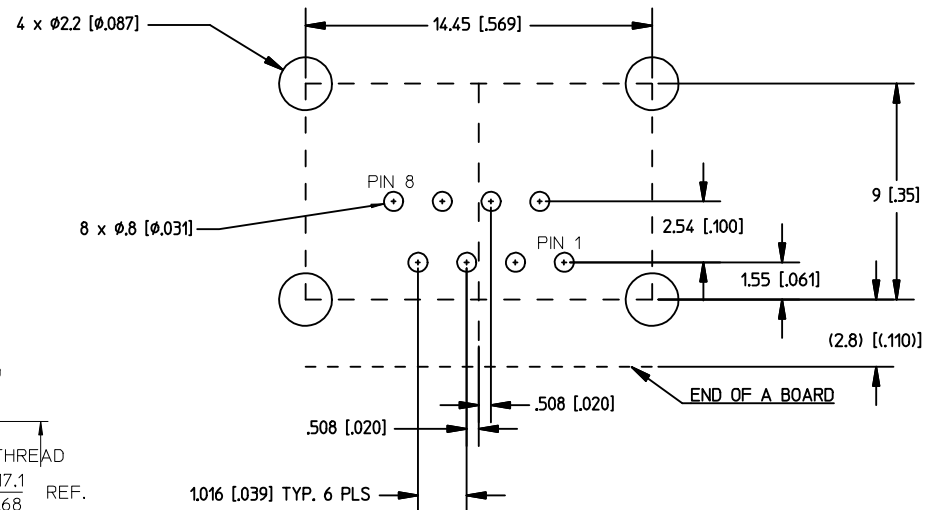
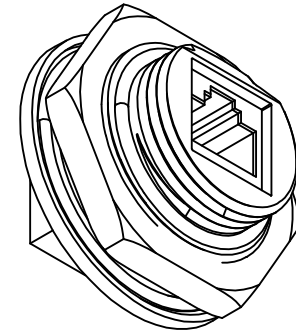
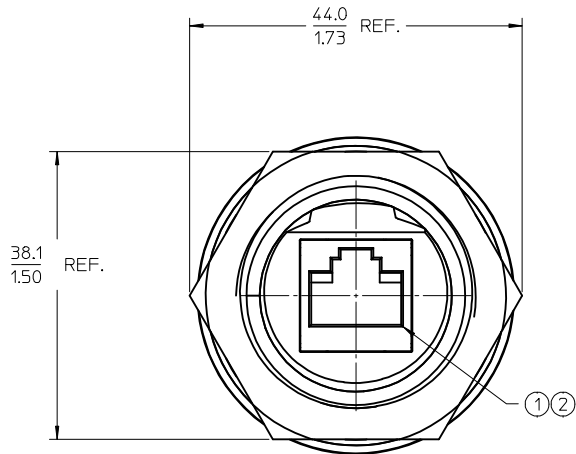


| | |
|-----------------|-----------------|
| MATERIAL NUMBER | OLD PART NUMBER |
| 1300530004 | ENPR1FF5 |



BOARD MOUNTING DIMENSIONAL DRAWING
(CONNECTOR SIDE)

| | |
|-----------------------|---------------|
| VOLTAGE RATING | 125 VDC |
| AMPERAGE RATING | 15 AMPS |
| PROTECTION | IP67 |
| OPERATING TEMPERATURE | -20°C TO 80°C |

| ITEM | COMPONENT | MATERIAL | FINISH |
|------|------------------|--------------|------------------|
| 1 | CONTACT HOUSING | ABS | BLACK |
| 2 | CONTACT SOCKET | COPPER ALLOY | GOLD OVER NICKEL |
| 3 | RECEPTACLE SHELL | ABS | BLACK |
| 4 | COUPLING NUT | ABS | BLACK |
| 5 | O-RING | VITON | BLACK |

ADDED MOUNTING HOLE PATTERN

| | | |
|--------------------|------------|------------------|
| EC NO: JGZ015-2173 | 2015/06/26 | DRWNG:GGUSTAFSON |
| CHKD:BARDE | 2015/08/05 | APPR:BWODMAN |
| 2015/07/08 | | |

| | |
|-----------------|--|
| QUALITY SYMBOLS | GENERAL TOLERANCES (UNLESS SPECIFIED) |
| ▽=0 | mm INCH |
| ▽=0 | 4 PLACES ± .13 ± .005 |
| | 3 PLACES ± .13 ± .010 |
| | 2 PLACES ± .13 ± .010 |
| | 1 PLACE ± .25 ± .010 |
| | 0 PLACE ± .25 ± .010 |
| | ANGULAR ± .5° |
| | DRAFT WHERE APPLICABLE MUST REMAIN WITHIN DIMENSIONS |

| | | | |
|-----------------|------------|---|------------------------|
| DIMENSION STYLE | SCALE | DESIGN UNITS | THIRD ANGLE PROJECTION |
| MM ONLY | 2:1 | METRIC | ☉ |
| DRAWN BY | DATE | TITLE | |
| GGUSTAFSON | 2015/06/26 | RJ-LNXX RECEPTACLE PCB MOUNT - VERTICAL | |
| CHECKED BY | DATE | molex | |
| BARDE | 2015/08/05 | DOCUMENT NO. SD-130053-001 | |
| APPROVED BY | DATE | SHEET NO. 1 OF 1 | |
| BWOODMAN | 2015/07/08 | | |
| MATERIAL NO. | SIZE | THIS DRAWING CONTAINS INFORMATION THAT IS PROPRIETARY TO MOLEX INCORPORATED AND SHOULD NOT BE USED WITHOUT WRITTEN PERMISSION | |
| SEE CHART | C | | |