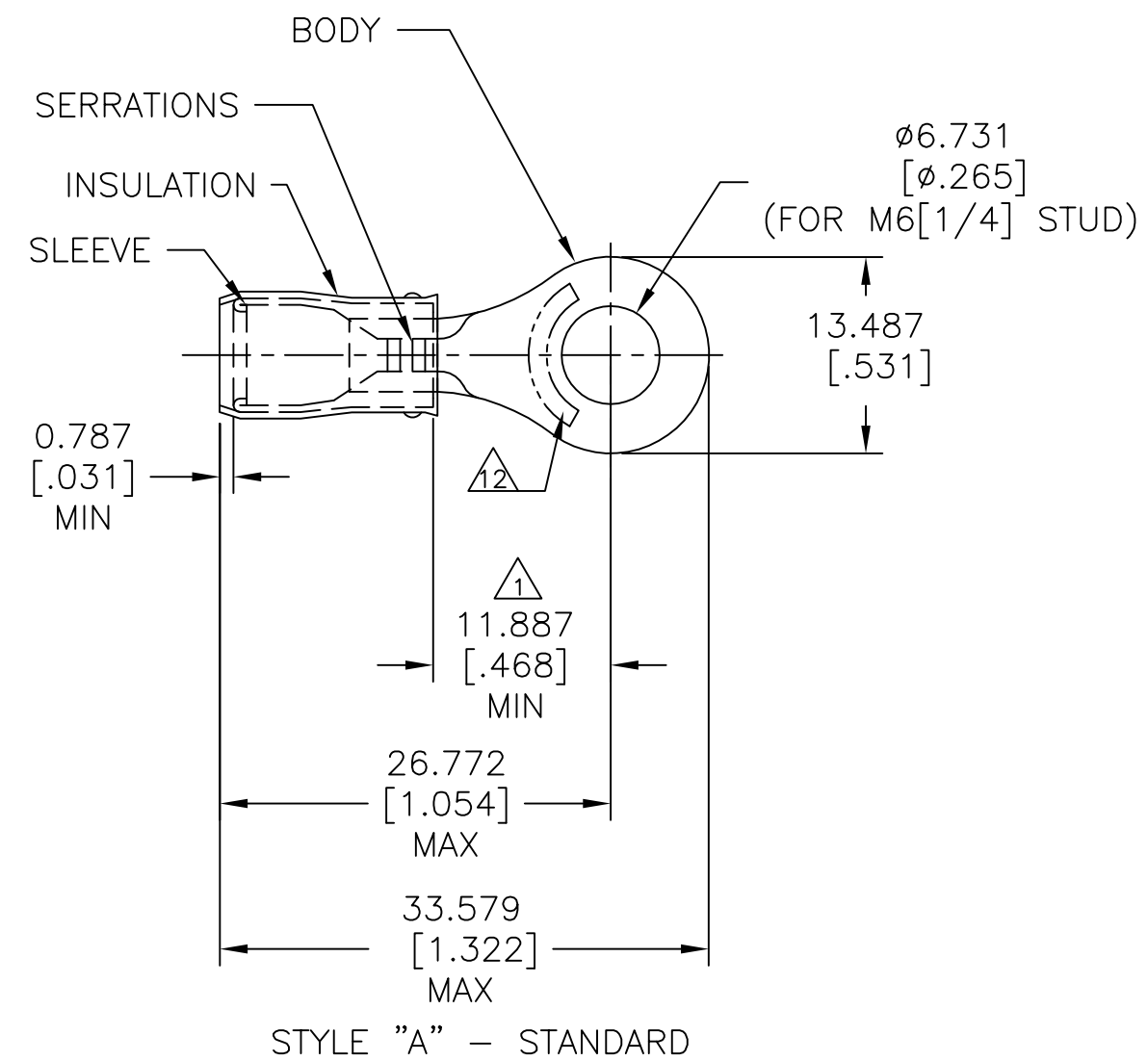


REVISIONS					
P	LTR	DESCRIPTION	DATE	DWN	APVD
	U	REVISED PER ECO-14-015277	21FEB2015	NK	DR
	U1	REVISED PER ECO-17-007400	19DEC2017	RS	DR

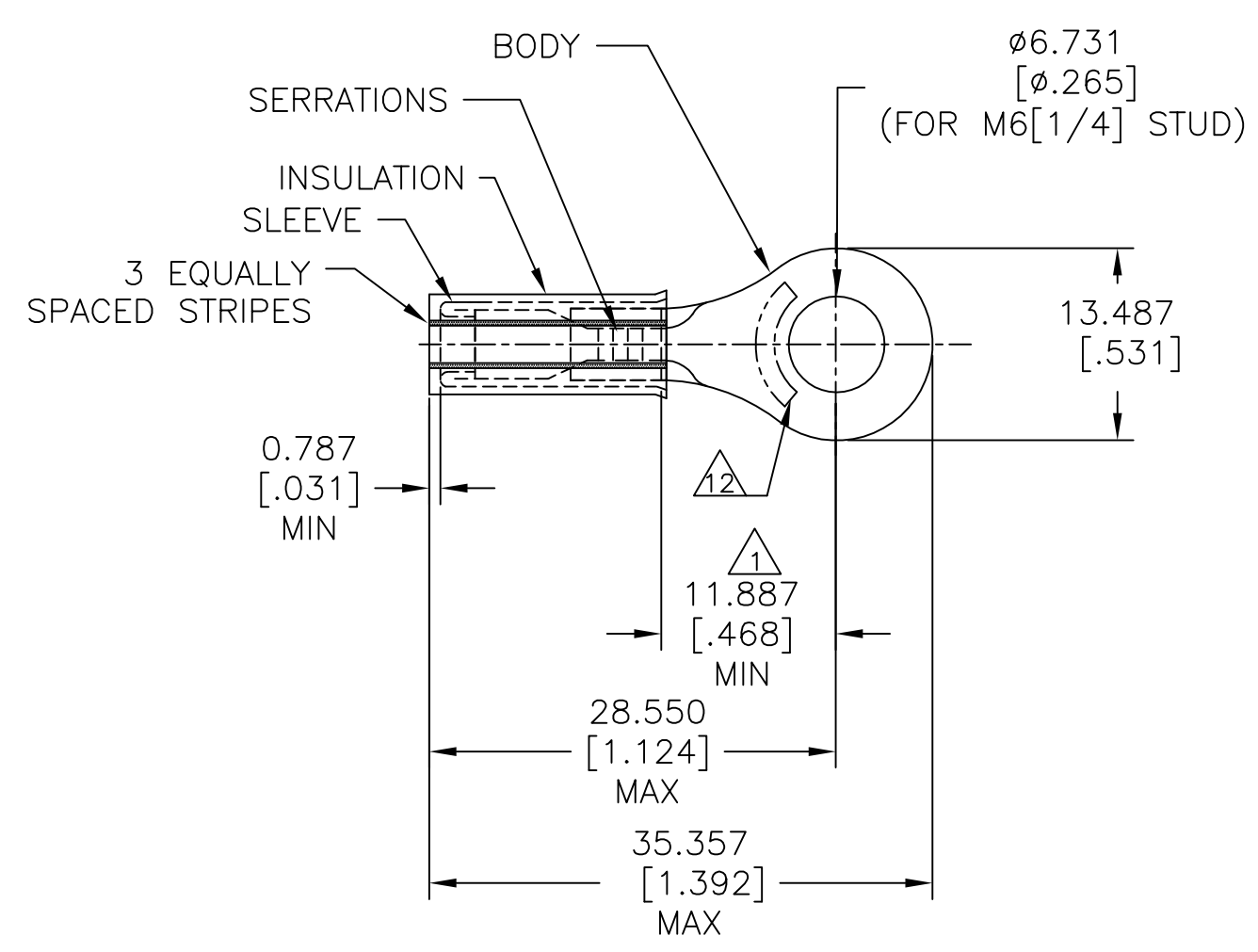


- 1 APPLIES FROM EDGE OF METAL WIRE BARREL TO CENTER OF STUD HOLE.
- 2 BODY MATERIAL THK 1.016±0.051 [.040±.002]
- 3 105°C[221°F] MAX OPERATING TEMPERATURE
- 4 300 VOLT MAX.
- 5 CIRCULAR MIN AREA: 2.62-6.64 mm<sup>2</sup> [5180-13100] SOLID OR STRANDED.
- 6 UL LISTED E13288 12-10 AWG SOLID OR STRANDED.
- 7 CSA CERTIFIED LR7189 12-10 AWG SOLID OR STRANDED.
- 8 MILITARY MS25036-157 CLASS 1.
- 9 MILITARY MS25036-157 CLASS 2.
- 10 MATERIAL:  
BODY & SLEEVE: COPPER PER ASTM B-152  
INSULATION: NYLON PER ASTM D-4066, TYPE 1.
- 11 FINISH:  
BODY & SLEEVE: TIN PLATE PER ASTM B-545  
INSULATION: COLOR-YELLOW.
- 12 STAMP AMP SEE TABLE, APPROX AS SHOWN.

2500	NONE	12-10	3.810-5.842 [.150-.230]	AMP 12-10*	"A"	ON TAPE	2-320569-3
500	NONE	12-10	3.810-5.842 [.150-.230]	AMP 12-10*	"A"	LOOSE PIECE	320569
QTY	COLOR STRIPE	WIRE SIZE	FOR WIRE INSULATION OD	STAMP	STYLE	PACKAGING	PART NO.

THIS DRAWING IS A CONTROLLED DOCUMENT.		DWN RAGHAVENDRA 08SEP2008	<b>STE</b> TE Connectivity		
		CHK T MICHIELUTTI 08SEP2008			
DIMENSIONS: mm [INCHES]		APVD T MICHIELUTTI 08SEP2008	NAME		
TOLERANCES UNLESS OTHERWISE SPECIFIED:		PRODUCT SPEC		TERMINAL	
0 PLC ± -		UL 486 A-B		RING TONGUE, NYLON, PIDG,	
1 PLC ± -		APPLICATION SPEC		WIRE SIZE: 12-10 AWG	
2 PLC ± -		114-2157		SIZE	CAGE CODE
3 PLC ± 0.127[.005]		WEIGHT		DRAWING NO	
4 PLC ± -		-		A3 00779 C=320569	
ANGLES ± 0°30'		FINISH		RESTRICTED TO	
				-	
CUSTOMER DRAWING			SCALE	SHEET	REV
			2:1	1 OF 2	U1

REVISIONS					
P	LTR	DESCRIPTION	DATE	DWN	APVD
-	-	SEE SHEET 1	-	-	-



- 1 APPLIES FROM EDGE OF METAL WIRE BARREL TO CENTER OF STUD HOLE.
- 2 BODY MATERIAL THK  $1.016 \pm 0.051$  [ $.040 \pm .002$ ]
- 3  $105^\circ\text{C}$  [ $221^\circ\text{F}$ ] MAX OPERATING TEMPERATURE
- 4 300 VOLT MAX.
- 5 CIRCULAR MIN AREA:  $2.62-6.64 \text{ mm}^2$  [ $5180-13100$ ] SOLID OR STRANDED.
- 6 MILITARY M7928/1-59 CLASS 1.
- 7 MILITARY M7928/1-66 CLASS 1.
- 8 MILITARY M7928/1-59 CLASS 2.
- 9 MILITARY M7928/1-66 CLASS 2.
- 10 MATERIAL:  
BODY & SLEEVE: COPPER PER ASTM B-152  
INSULATION: NYLON PER ASTM D-4066, TYPE 1.
- 11 FINISH:  
BODY: TIN PLATE PER ASTM B-545  
SLEEVE: NICKEL PLATE PER QQ-N-290  
INSULATION: COLOR-YELLOW.
- 12 STAMP AMP SEE TABLE, APPROX AS SHOWN.

STYLE "B" - INSULATION RESTRICTING

500	BROWN	10	3.023-5.080 [.119-.200]	AMP 10*	"B"	LOOSE PIECE	2-320569-6
500	YELLOW	12	2.413-5.080 [.095-.200]	AMP 12*	"B"	LOOSE PIECE	2-320569-5
QTY	COLOR STRIPE	WIRE SIZE	FOR WIRE INSULATION OD	STAMP	STYLE	PACKAGING	PART NO.

THIS DRAWING IS A CONTROLLED DOCUMENT.		DWN RAGHAVENDRA 08SEP2008	TE Connectivity	
DIMENSIONS: mm [INCHES]		CHK T MICHIELUTTI 08SEP2008		
TOLERANCES UNLESS OTHERWISE SPECIFIED:		APVD T MICHIELUTTI 08SEP2008	NAME	
0 PLC ± -		PRODUCT SPEC		
1 PLC ± -		APPLICATION SPEC		
2 PLC ± -		114-2157		
3 PLC ± 0.127[.005]		WEIGHT -		
4 PLC ± -		SIZE A3		
ANGLES ± 0°30'		CAGE CODE 00779		
FINISH		DRAWING NO C=320569		
		RESTRICTED TO -		
		CUSTOMER DRAWING		
		SCALE 2:1		SHEET 2 OF 2
		REV U1		

# Mouser Electronics

Authorized Distributor

Click to View Pricing, Inventory, Delivery & Lifecycle Information:

[TE Connectivity:](#)

[2-320569-5](#)