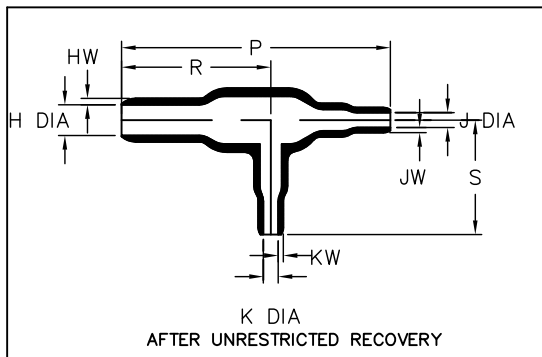
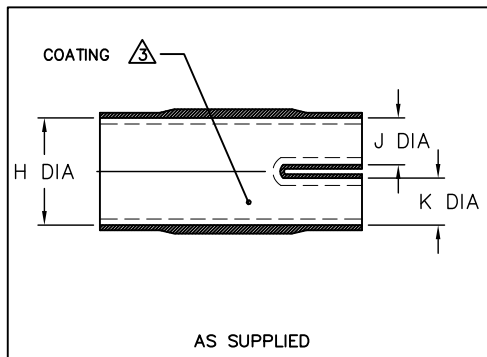


NOTES

- All dimensions are in $\frac{\text{inches}}{\text{millimeters}}$, $\frac{\text{lbs}}{\text{gms}}$
- Dimensions appearing in table are as follows:
a - As Supplied
b - After Unrestricted Recovery
- Coating is optional. As supplied dimensions appearing in table are for uncoated parts. When coating is added, entry diameters will be reduced by .06 max.



REVISIONS		
LTR	DESCRIPTION	DATE
B	REVISED PER ECO-14-014522	9/11/2014

ORDERING INFORMATION

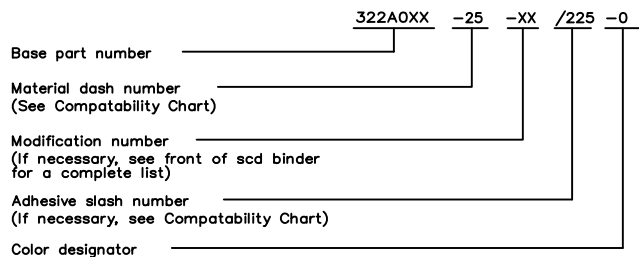


TABLE OF DIMENSIONS

PART NUMBER	H		J & K		P	R	S	T	U	HW	JW & KW
	Min	Max	Min	Max	±10%	±10%	±10%	±10%	±10%	±20%	±20%
	a	b	a	b	b	b	b	b	b	b	b
322A012-25/225	.52 [13,2]	.29 [7,4]	.26 [6,6]	.15 [3,8]	2.20 [55,9]	1.30 [33,0]	.76 [19,3]	1.57 [39,9]	.85 [21,6]	.06 [1,02]	.04 [1,02]
322A024-25/225	1.06 [26,9]	.52 [13,2]	.52 [13,2]	.26 [6,6]	3.82 [97,0]	2.12 [53,8]	1.52 [38,6]	2.59 [65,8]	1.43 [36,3]	.10 [2,54]	.06 [1,52]
322A037-25/225	2.19 [55,6]	1.07 [27,2]	1.06 [26,9]	.52 [13,2]	7.80 [198,1]	4.38 [111,3]	3.06 [77,7]	5.14 [130,6]	2.91 [73,9]	.18 [4,57]	.10 [2,54]

If this document is printed it becomes uncontrolled. Check for the latest revision

COMPATABILITY CHART

MATERIAL DASH NO.	MATERIAL DESCRIPTION	RT SPEC	COATING SLASH NO.	COATING S NO.	COATING DESCRIPTION
-25	Elastomer, Fluid Resistant	RW-2070	/225	S-1206	Adhesive

Raychem Molded parts
CUSTOMER DRAWING

<small>UNLESS OTHERWISE SPECIFIED DIMENSIONS ARE INCHES. METRIC DIMENSIONS ARE IN BRACKETS.</small> <small>DECIMAL TOLERANCES</small> .XX ± 0.005 (0.13 mm) .XX ± 0.01 (0.25 mm) .X ± 0.1 (2.54 mm) <small>ANGLE TOLERANCE</small> X ± 1 DEG.	DRAWN M.MAZARIEGOS	TITLE Transition, 90° Side Breakout
	APPROVED S.GRAVANO	
<small>TYCO ELECTRONICS RESERVES THE RIGHT TO AMEND THIS DRAWING AT ANY TIME. USERS SHOULD EVALUATE THE SUITABILITY OF THE PRODUCT FOR THEIR APPLICATION.</small>	THIRD ANGLE PROJECTION	DO NOT SCALE THIS DRAWING
<small>© 2014 Tyco Electronics Corporation. All rights reserved.</small>	SHEET 1 OF 1	SHEET 1 OF 1

Mouser Electronics

Authorized Distributor

Click to View Pricing, Inventory, Delivery & Lifecycle Information:

[TE Connectivity:](#)

[322A024-25/225-0](#)