

Hybrid Couplers 3 dB, 90°

Applications

- Microstrip Circuits
- Divider/Combiners
- Switch Networks
- Balanced Detectors
- Antenna Feeds



Features

- Welded Tab Mount
- 2-Way Power Split
- Reliable Performance
- Handles 60 Watts

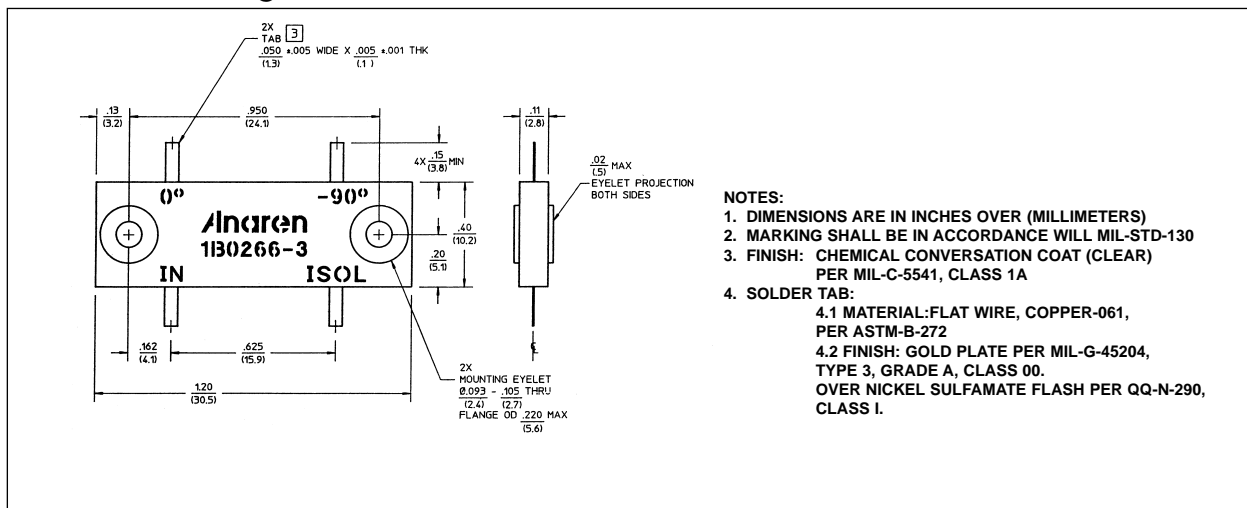
Electrical Specifications

Frequency GHz	Isolation dB Min/Typ	Insert. Loss dB Max	VSWR Max : 1
2.0 - 4.0	17/21	0.35	1.30/1.20
Amp. Bal. dB Max	Phase Bal. Degrees Max	Power Ave. CW Watts	
±0.50	±2.5	60	

Notes: Electrical specifications apply only with properly designed test fixtures. Testing is done at ambient temperature only. Sample testing is performed to MIL-STD-105, Level 2, AQL 1.0. Test includes coupling, amplitude balance, insertion loss and isolation. If your application requires additional testing, consult Anaren Power rating applies when solder tab/coupler interface has been conformally coated. Impedance: 50 ohms. Meets MIL-E-5400 Class 3 requirements. Additional screening available for military and space applications.

Electrical and Mechanical Specifications subject to change without notice.

Outline Drawing



Mouser Electronics

Authorized Distributor

Click to View Pricing, Inventory, Delivery & Lifecycle Information:

[Anaren:](#)

[10266-3](#)