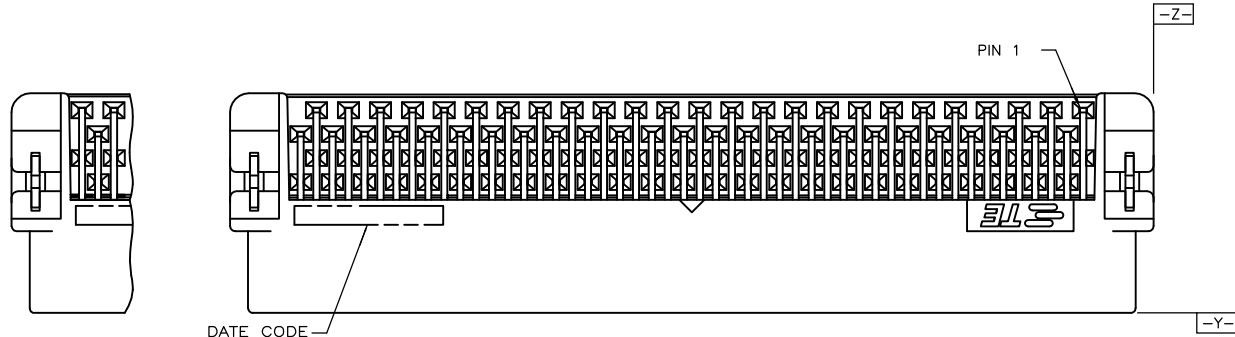
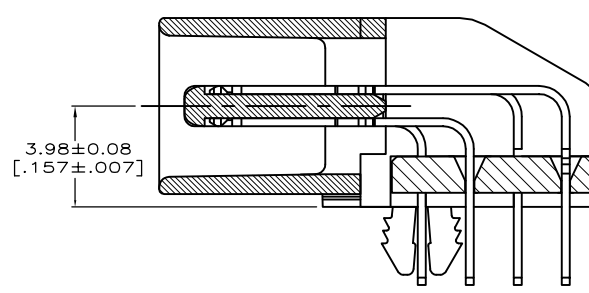


P	LTR	DESCRIPTION	DATE	DWN	APVD
H		REVISED PER ECO-17-013991	22SEP2017	RG	SH

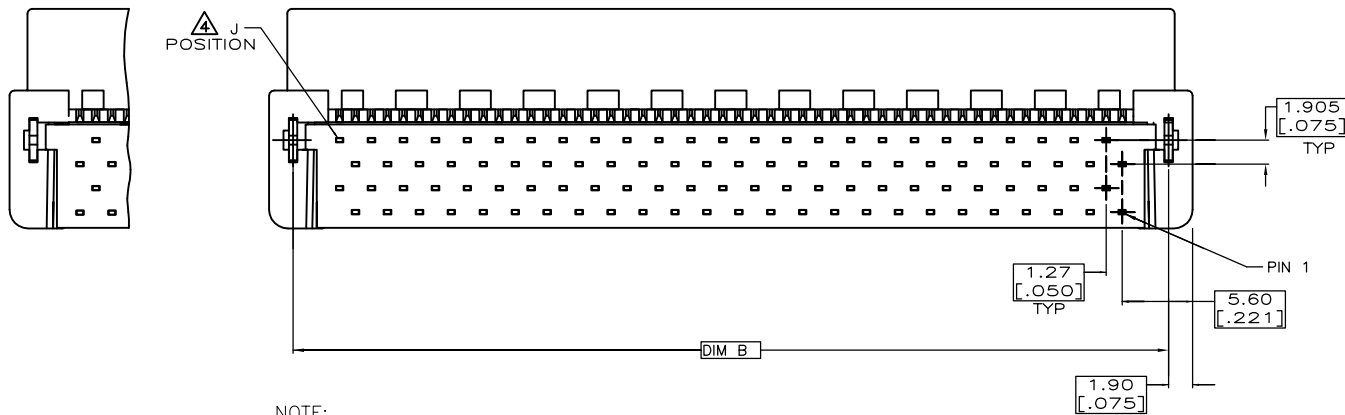
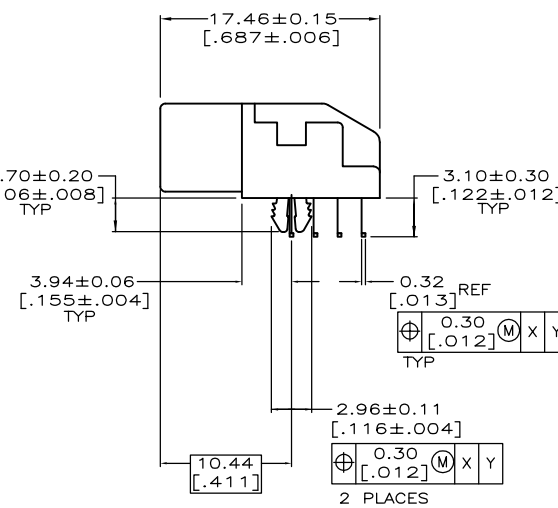
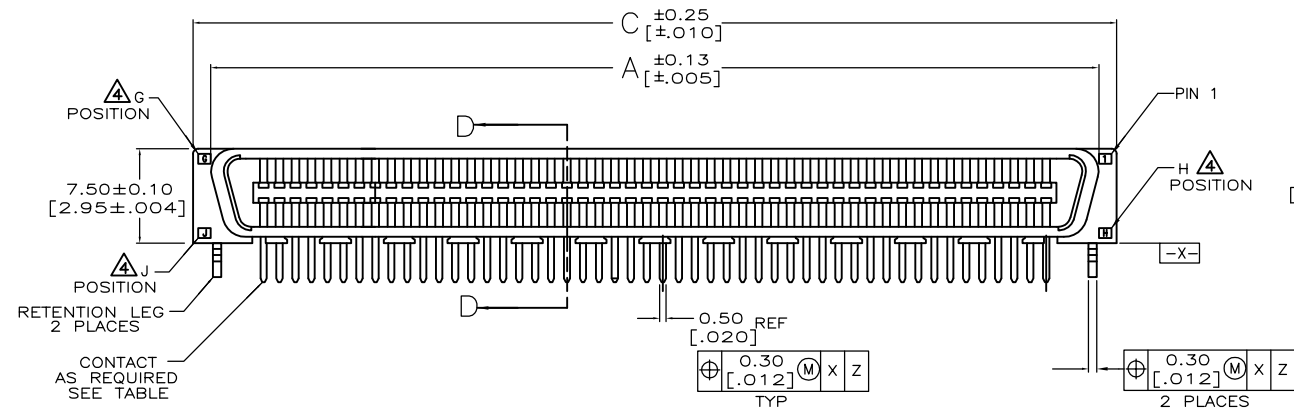


FOR 50 AND 130 POSITIONS ONLY

FOR 40, 60, 68, 80, 100, 120, 140, 160, 180 AND 200 POSITIONS ONLY



SECTION D-D
SCALE 8:1



NOTE:

- MATERIAL:
HOUSING: LCP, UL 94V-0, BLACK COLOR.
CONTACTS: BRASS.
BOARDLOCKS: BRASS.
 - FINISH:
CONTACTS: (SEE TABLE) GOLD PLATED ON CONTACT AREA, 3.81µm [150µ"] MIN. MATTE-TIN ON SOLDER TAIL, OVER 1.27µm [50µ"] MIN. NICKEL UNDERPLATED.
BOARDLOCKS: 3.81µm [150µ"] MIN. TIN-Cu OVER 1.27µm [50µ"] MIN. UNDERPLATED.
 - WAVE SOLDER CAPABLE TO 265°C PER TEST SPEC. 109-202, CONDITION B.
- ▲ G, J, H INDICATE NUMBER OF POSITION MARKED ON ASSEMBLY. ALSO SEE TABLE.
- ▲ GOLD FLASH OVER 0.762µm [30µ"] MIN. PALLADIUM-NICKEL PLATED.

REVISION	DESCRIPTION	DATE	DWN	APVD	POS.	
E1	OBSELETE	136.93 [5.891]	133.13 [5.241]	134.07 [5.278]	100 200 101	200
	GOLD FLASH					
	0.381µm [15µ"]					
	▲					
	1-1734099-8					
	GOLD FLASH					
	0.381µm [15µ"]					
	▲					
	1-1734099-6					
	GOLD FLASH					
	0.381µm [15µ"]					
	▲					
	1-1734099-4					
	GOLD FLASH					
	0.381µm [15µ"]					
	▲					
	1-1734099-2					
	GOLD FLASH					
	0.381µm [15µ"]					
	▲					
	1-1734099-0					
	GOLD FLASH					
	0.381µm [15µ"]					
	▲					
	1-1734099-8					
	GOLD FLASH					
	0.381µm [15µ"]					
	▲					
	1734099-8					
	GOLD FLASH					
	0.381µm [15µ"]					
	▲					
	1734099-7					
	GOLD FLASH					
	0.381µm [15µ"]					
	▲					
	1734099-7					
	GOLD FLASH					
	0.381µm [15µ"]					
	▲					
	1734099-6					
	GOLD FLASH					
	0.381µm [15µ"]					
	▲					
	1734099-6					
	GOLD FLASH					
	0.381µm [15µ"]					
	▲					
	1734099-5					
	GOLD FLASH					
	0.381µm [15µ"]					
	▲					
	1734099-5					
	GOLD FLASH					
	0.381µm [15µ"]					
	▲					
	1734099-4					
	GOLD FLASH					
	0.381µm [15µ"]					
	▲					
	1734099-4					
C	B	A	G	J	H	

THIS DRAWING IS A CONTROLLED DOCUMENT.		DWN	F. YANG	31MAR2009
		CHK	S. CHIEN	31MAR2009
		APVD	W. KODAMA	31MAR2009
DIMENSIONS: mm		TOLERANCES UNLESS OTHERWISE SPECIFIED:		
		0 PLC	± -	
		1 PLC	± 0.25	
		2 PLC	± 0.2	
		3 PLC	± -	
		4 PLC	± -	
		ANGLES	± -	
MATERIAL		FINISH		
SEE NOTE		SEE NOTE		
		PRODUCT SPEC	108-57876	
		APPLICATION SPEC		
		WEIGHT	0	
		CUSTOMER DRAWING		



PLUG ASSEMBLY, R/A,
BTB, CHAMP .050, SERIES I

NAME			
SIZE	CAGE CODE	DRAWING NO	RESTRICTED TO
A3	00779	C=1734099	
SCALE	SHEET	1 of 5	REV H

THIS DRAWING IS UNPUBLISHED.

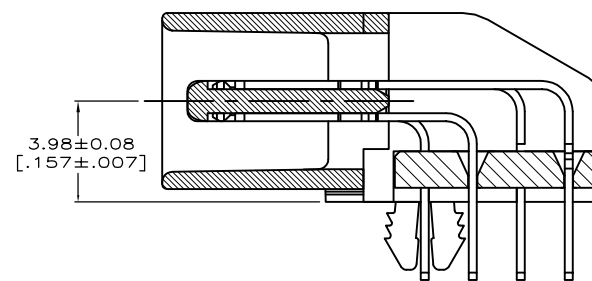
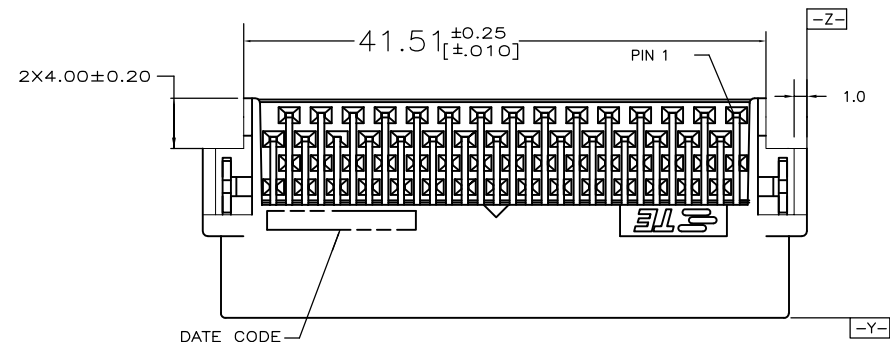
RELEASED FOR PUBLICATION

REVISIONS

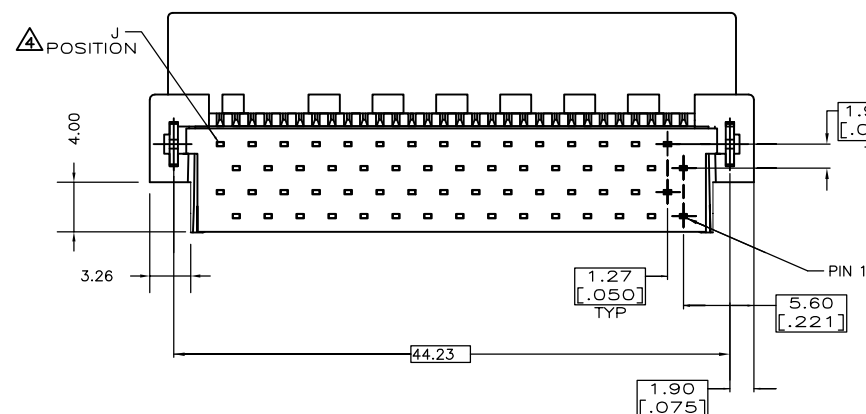
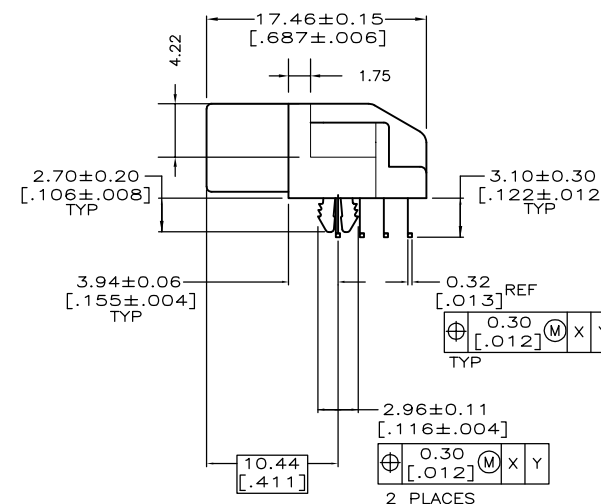
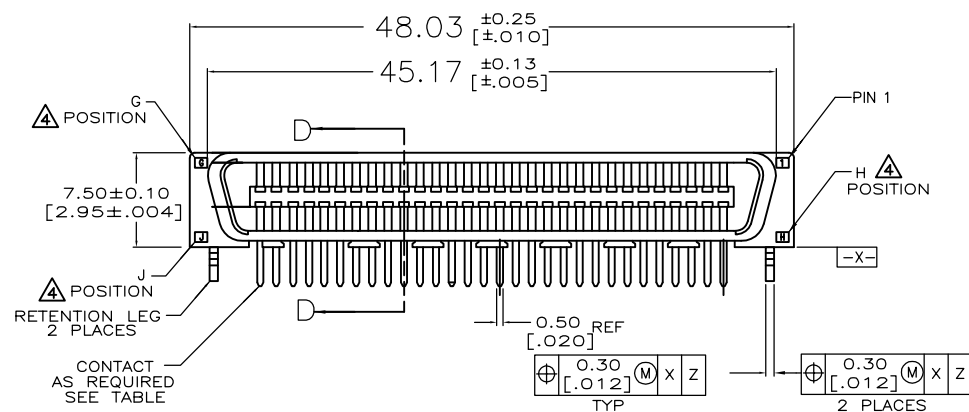
© COPYRIGHT - By -

ALL RIGHTS RESERVED.


P	LTR	DESCRIPTION	DATE	DWN	APVD
-	-	SEE SHEET 1	-	-	-



SECTION D-D
SCALE 8:1



30	60	31	GOLD FLASH	9-1734099-6	
			0.381um[15u"]	8-1734099-6	60
			△	7-1734099-6	
GA	JA	HA	GOLD PLATED	PART NUMBER	POS.

THIS DRAWING IS A CONTROLLED DOCUMENT.		DWN	F. YANG	31MAR2009	 TE Connectivity	
DIMENSIONS: mm		CHK	S. CHIEN	31MAR2009		
TOLERANCES UNLESS OTHERWISE SPECIFIED:		APVD	W. KODAMA	31MAR2009		
0 PLC ± - 1 PLC ± 0.25 2 PLC ± 0.2 3 PLC ± - 4 PLC ± - ANGLES ± -		NAME	PLUG ASSEMBLY, R/A, BTB, CHAMP .050, SERIES I			
MATERIAL SEE NOTE		FINISH	SEE NOTE		PRODUCT SPEC	108-57876
		APPLICATION SPEC			SIZE	A3
		WEIGHT			CAGE CODE	00779
		CUSTOMER DRAWING			DRAWING NO	C-1734099
		SCALE			RESTRICTED TO	
		SHEET	2 of 5		REV	H

THIS DRAWING IS UNPUBLISHED.

RELEASED FOR PUBLICATION

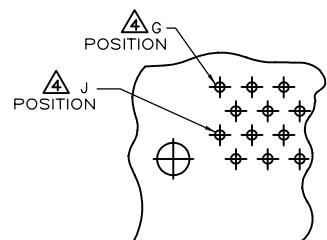
- , -

REVISIONS

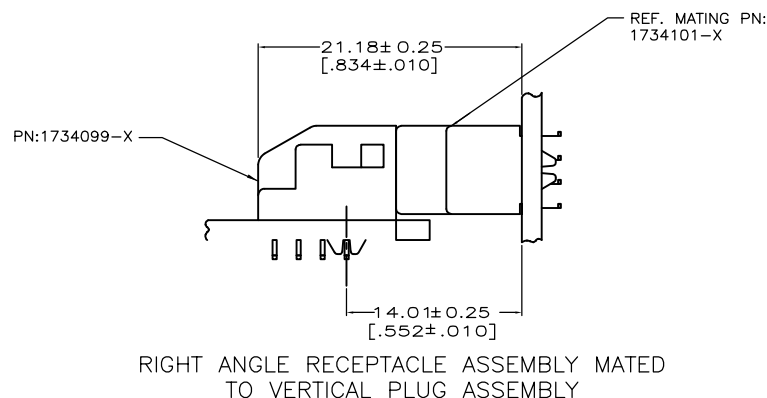
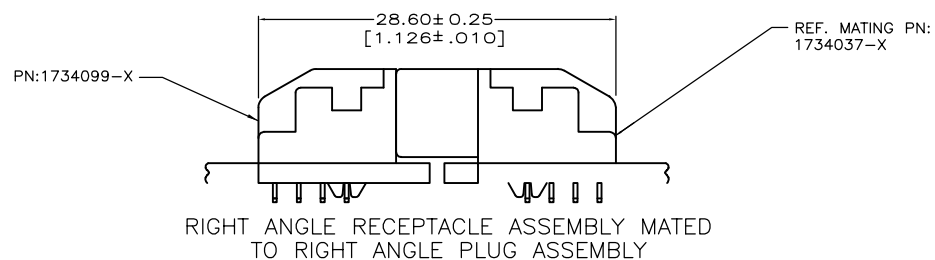
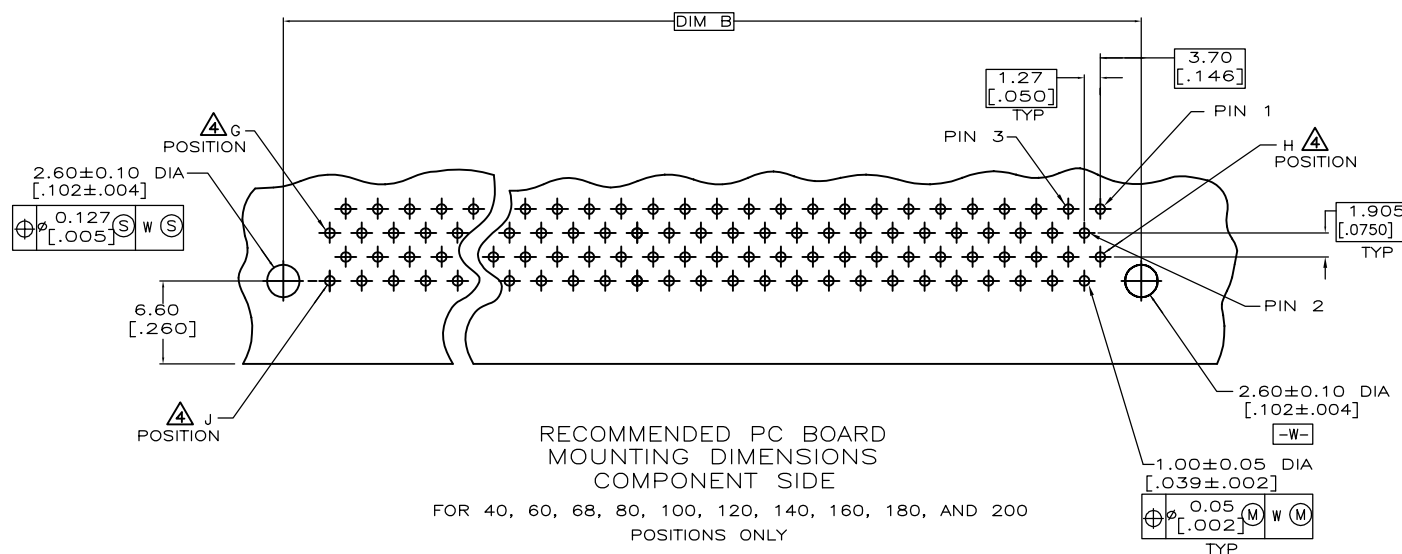
© COPYRIGHT - By -

ALL RIGHTS RESERVED.

P	LTR	DESCRIPTION	DATE	DWN	APVD
-	-	SEE SHEET 1	-	-	-



FOR 50, AND 130 POSITIONS ONLY



THIS DRAWING IS A CONTROLLED DOCUMENT.		DWN		TE Connectivity	
DIMENSIONS: mm		CHK			
TOLERANCES UNLESS OTHERWISE SPECIFIED.		APVD		NAME	
0 PLC ±- 1 PLC ±- 2 PLC ±- 3 PLC ±- 4 PLC ±- ANGLES ±-		PRODUCT SPEC		PLUG ASSEMBLY, R/A, BTB, CHAMP .050, SERIES I	
MATERIAL		FINISH		SIZE CAGE CODE DRAWING NO RESTRICTED TO	
		WEIGHT		A3 00779 C=1734099	
CUSTOMER DRAWING				SCALE SHEET 3 of 5 REV H	

THIS DRAWING IS UNPUBLISHED.

RELEASED FOR PUBLICATION

© COPYRIGHT - By -

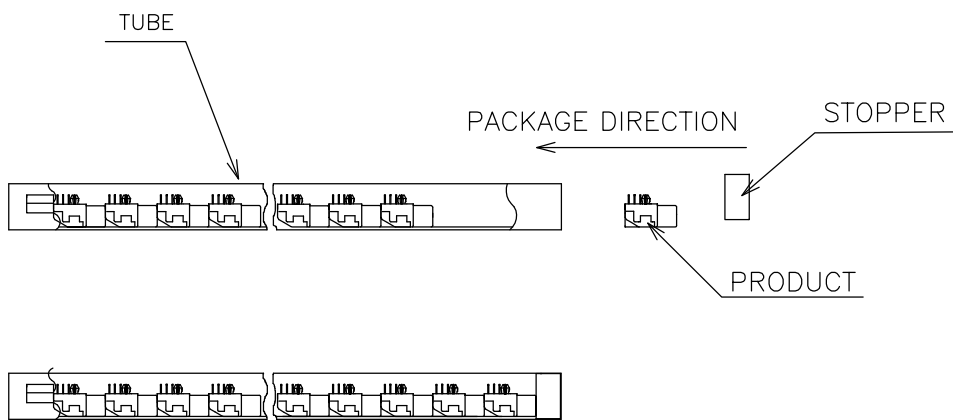
ALL RIGHTS RESERVED.

REVISIONS

P	LTR	DESCRIPTION	DATE	DWN	APVD
-	-	SEE SHEET 1	-	-	-

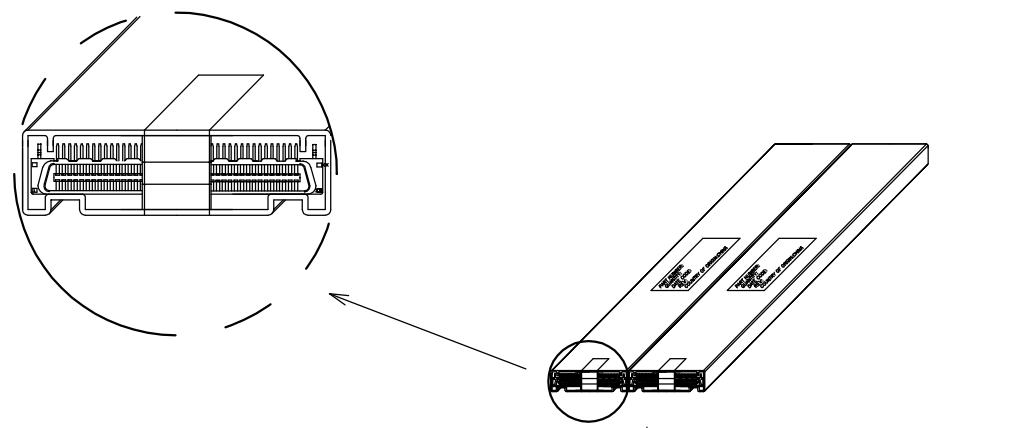
D

D



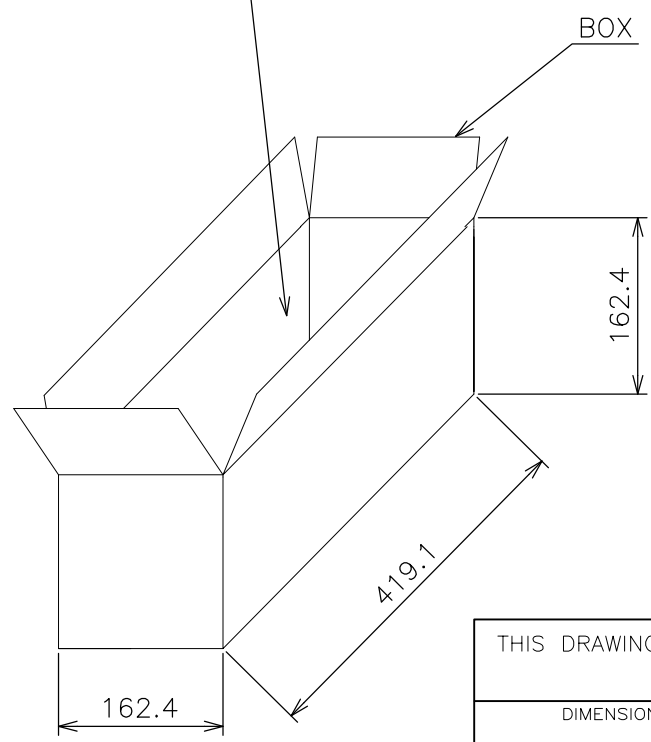
C

C



B

B



POS.	Q'TY/TUBE	TUBE/BOX	Q'TY/BOX	N/W (KG)	G/W (KG)	PART NUMBER
100	21	16	336	2.60	3.44	5-1734099-0
						3-1734099-0
						1-1734099-0
80	21	16	336	2.15	3.00	4-1734099-8
						2-1734099-8
						1734099-8

A

A

THIS DRAWING IS A CONTROLLED DOCUMENT.

DIMENSIONS: mm

TOLERANCES UNLESS OTHERWISE SPECIFIED:

0 PLC	± -
1 PLC	± -
2 PLC	± -
3 PLC	± -
4 PLC	± -
ANGLES	± -

MATERIAL: _____ FINISH: _____

STE TE Connectivity

PLUG ASSEMBLY, R/A, BTB, CHAMP .050, SERIES I

SIZE: A3 CAGE CODE: 00779 DRAWING NO: C-1734099 RESTRICTED TO: _____

CUSTOMER DRAWING SCALE: _____ SHEET: 4 of 5 REV: H

4

3

2

1

THIS DRAWING IS UNPUBLISHED.

RELEASED FOR PUBLICATION

ALL RIGHTS RESERVED.

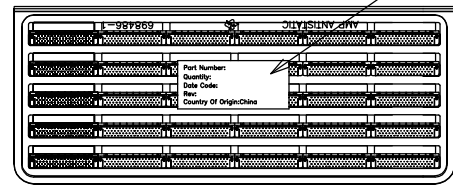
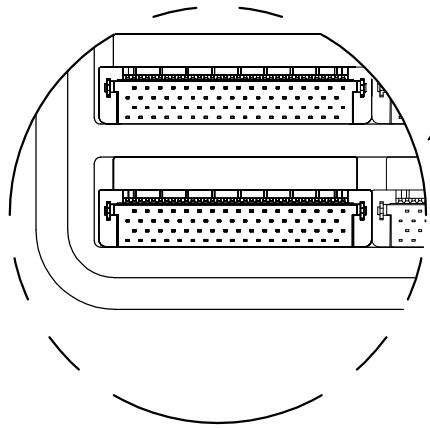
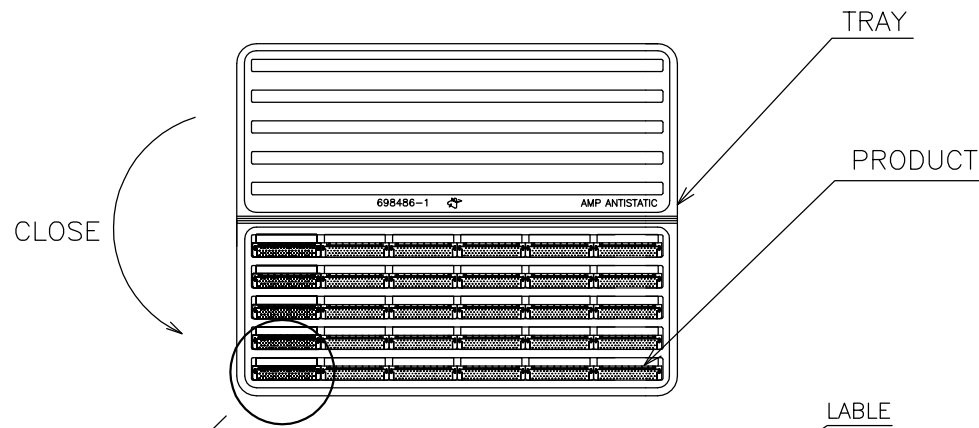
© COPYRIGHT - By -

REVISIONS

P	LTR	DESCRIPTION	DATE	DWN	APVD
-	-	SEE SHEET 1	-	-	-

D

D



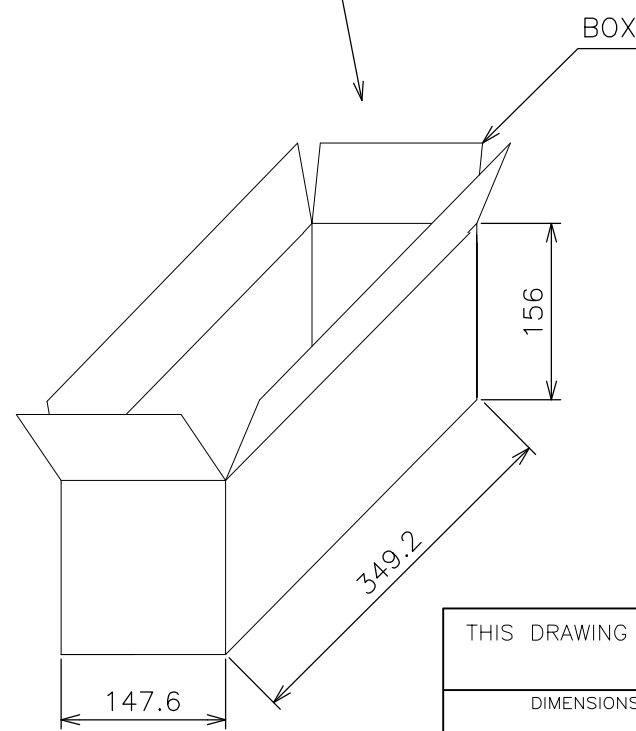
C

C

POS.	Q'TY/ TRAY	TRAY/ BOX	Q'TY/ BOX	N/W (KG)	G/W (KG)	PART NUMBER	
E1 OBSOLETE	10	10	100	1.40	2.35	5-1734099-8	
	200					3-1734099-8	
						1-1734099-8	
E1 OBSOLETE	160	10	10	100	1.18	2.13	5-1734099-6
							3-1734099-6
							1-1734099-6
E1 OBSOLETE	140	15	10	150	1.59	2.46	5-1734099-4
							3-1734099-4
							1-1734099-4
E1 OBSOLETE	120	15	10	150	1.20	2.15	5-1734099-2
							3-1734099-2
							1-1734099-2
E1 OBSOLETE	68	30	10	300	1.69	2.64	4-1734099-7
							2-1734099-7
							1734099-7
E1 OBSOLETE	60	30	10	300	1.53	2.48	4-1734099-6
							2-1734099-6
							1734099-6
E1 OBSOLETE	50	35	10	350	1.58	2.56	4-1734099-5
							2-1734099-5
							1734099-5
E1 OBSOLETE	40	45	10	450	1.71	2.66	4-1734099-4
							2-1734099-4
							1734099-4

B

B



A

A

THIS DRAWING IS A CONTROLLED DOCUMENT.

DIMENSIONS: mm TOLERANCES UNLESS OTHERWISE SPECIFIED.

0 PLC	± -
1 PLC	± -
2 PLC	± -
3 PLC	± -
4 PLC	± -
ANGLES	± -

MATERIAL FINISH

STE TE Connectivity

PLUG ASSEMBLY, R/A, BTB, CHAMP .050, SERIES I

SIZE: A3 CAGE CODE: 00779 DRAWING NO: C-1734099 RESTRICTED TO: -

WEIGHT: -

CUSTOMER DRAWING SCALE: - SHEET: 5 of 5 REV: H