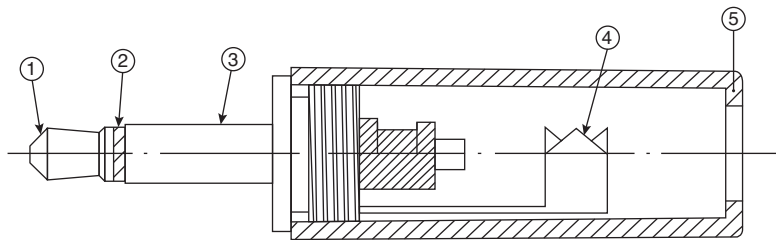
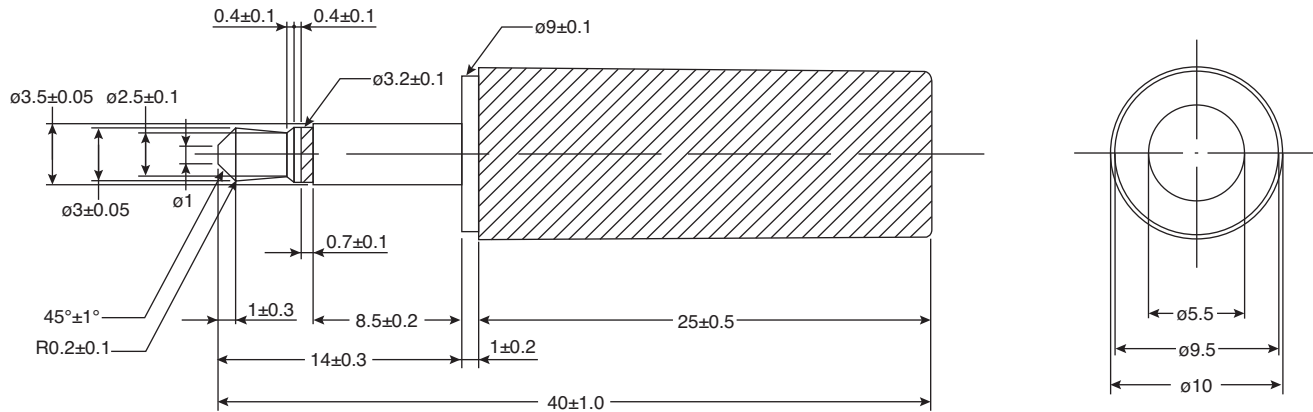


# 3.5mm Phone Plug Mono

171-PA3191-1-E



3.5mm Phone Plug Mono



Dimensions: mm

## MATERIAL SPECIFICATIONS

Part Name	Material	Plating
1.	Brass	Nickel
2.	ABS PA727	Black
3.	Brass	Nickel
4.	Brass	Nickel
5.	ABS PA727	Black
<b>RoHS Compliant</b>		

Date Last Revised: 6-11-09

Available from Mouser Electronics  
1-800-346-6873 / [www.mouser.com](http://www.mouser.com)

KC-301336

171-PA3191-1-E

# Mouser Electronics

Authorized Distributor

Click to View Pricing, Inventory, Delivery & Lifecycle Information:

[Kobiconn:](#)

[171-PA3191-1-E](#)