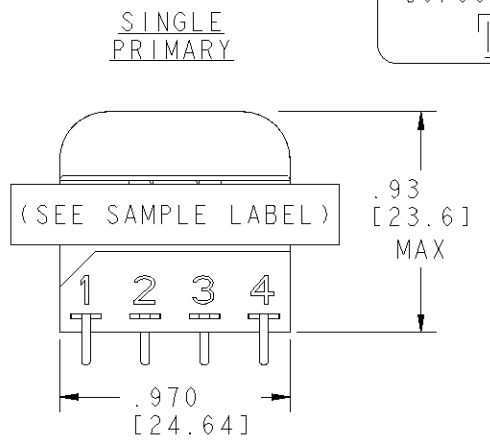
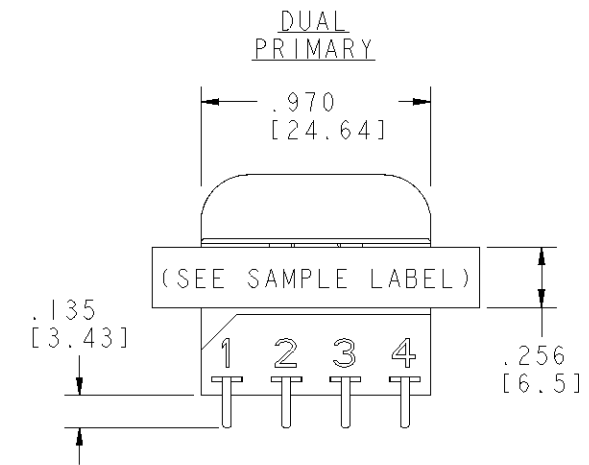


THIS DRAWING IS UNPUBLISHED. RELEASED FOR PUBLICATION 20  
 © COPYRIGHT 20 BY ALL RIGHTS RESERVED.

| LOC |     | DIST        |                           | REVISIONS |      |     |  |
|-----|-----|-------------|---------------------------|-----------|------|-----|--|
| P   | LTR | DESCRIPTION | DATE                      | OWN       | APVD |     |  |
| GZ  | 00  | F1          | REVISED PER ECO-11-005139 | 28MAR11   | RK   | HMR |  |

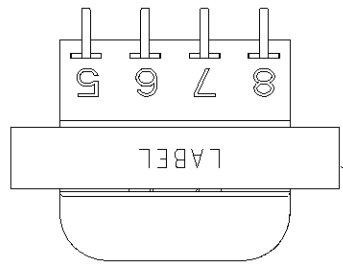
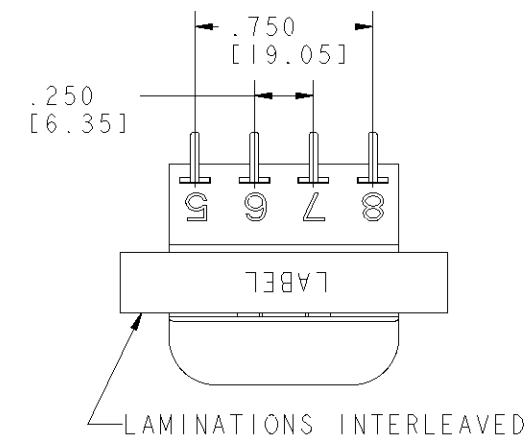
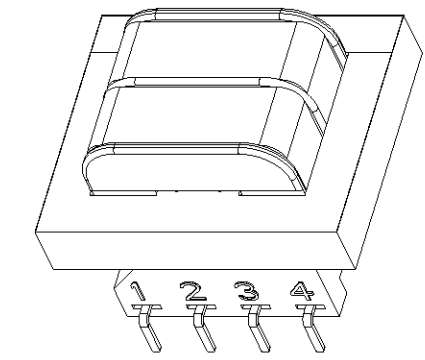
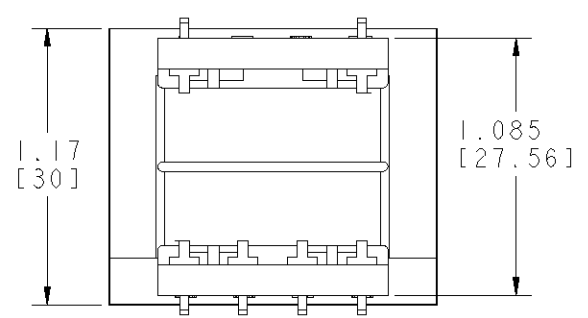
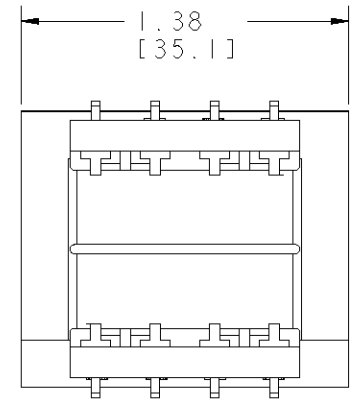
4900-XXXXRA60  
 50/60HZ 1.1VA SEC-6/12 VAC  
 115V 115V



SAMPLE LABEL  
 SCALE: 5:1  
 VOLTAGE ON LABEL WILL VARY PER MODEL NUMBER

CERTIFICATION: UL/CUL FILE NO. EI02980 HZ. V.A.  
 DIMENSIONS FOR REFERENCE ONLY. 50/60 1.1

| PRIMARY     | SECONDARY |          | P. U. PART NUMBER | TE Connectivity PART NUMBER |
|-------------|-----------|----------|-------------------|-----------------------------|
|             | SERIES    | PARALLEL |                   |                             |
| 115 VAC     | 12 VCT    | 6 VAC    | 4900-8012RA60     | 1672324-2                   |
| 115 VAC     | 12.6 VCT  | 6.3 VAC  | 4900-8013RA60     | 1672324-3                   |
| 115 VAC     | 20 VCT    | 10 VAC   | 4900-8020RA60     | 1672324-5                   |
| 115 VAC     | 24 VCT    | 12 VAC   | 4900-8024RA60     | 1672324-6                   |
| 115 VAC     | 28 VCT    | 14 VAC   | 4900-8028RA60     | 1672324-7                   |
| 115 VAC     | 48 VCT    | 24 VAC   | 4900-8048RA60     | 1-1672324-0                 |
| 115/230 VAC | 12 VCT    | 6 VAC    | 4900-9012RA60     | 1-1672324-4                 |
| 115/230 VAC | 12.6 VCT  | 6.3 VAC  | 4900-9013RA60     | 1-1672324-5                 |
| 115/230 VAC | 20 VCT    | 10 VAC   | 4900-9020RA60     | 1-1672324-7                 |
| 115/230 VAC | 24 VCT    | 12 VAC   | 4900-9024RA60     | 1-1672324-8                 |
| 115/230 VAC | 28 VCT    | 14 VAC   | 4900-9028RA60     | 1-1672324-9                 |
| 115/230 VAC | 48 VCT    | 24 VAC   | 4900-9048RA60     | 2-1672324-2                 |



MADE IN XXXX  
 XXX (DATE CODE)  
 Tyco Electronics  
 TE Connectivity



|                         |  |  |  |                              |  |   |  |
|-------------------------|--|--|--|------------------------------|--|---|--|
| DIMENSIONS: INCHES (mm) |  | TOLERANCES UNLESS OTHERWISE SPECIFIED: |  | DWN T. SPRINKLE 16 JUL 2008  |  | TE Connectivity                         |  |
| 0 PLC ±                 |  | 1 PLC ±                                |  | CHK J. HURLBURT 16 JUL 2008  |  | NAME                                    |  |
| 2 PLC ±.01(0.25)        |  | 3 PLC ±.005(0.13)                      |  | APVD J. HURLBURT 16 JUL 2008 |  | TRANSFORMER OUTLINE                     |  |
| 4 PLC ±                 |  | ANGLES ±                               |  | PRODUCT SPEC                 |  | SIZE CAGE CODE DRAWING NO RESTRICTED TO |  |
| MATERIAL                |  | FINISH                                 |  | APPLICATION SPEC             |  | A200779 C-4900-RA60                     |  |
| CUSTOMER DRAWING        |  |  |  | WEIGHT                       |  | SCALE 5:1 SHEET 1 OF 1 REV F1           |  |

4900-RA60

# Mouser Electronics

Authorized Distributor

Click to View Pricing, Inventory, Delivery & Lifecycle Information:

[TE Connectivity:](#)

[4900-9028RA60](#)