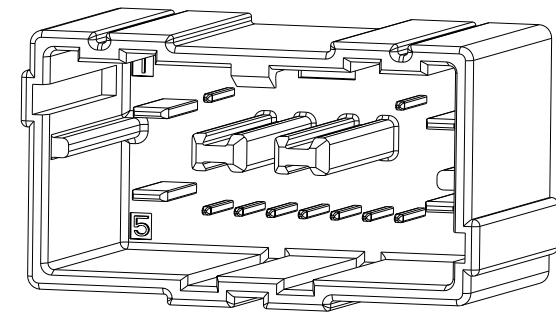
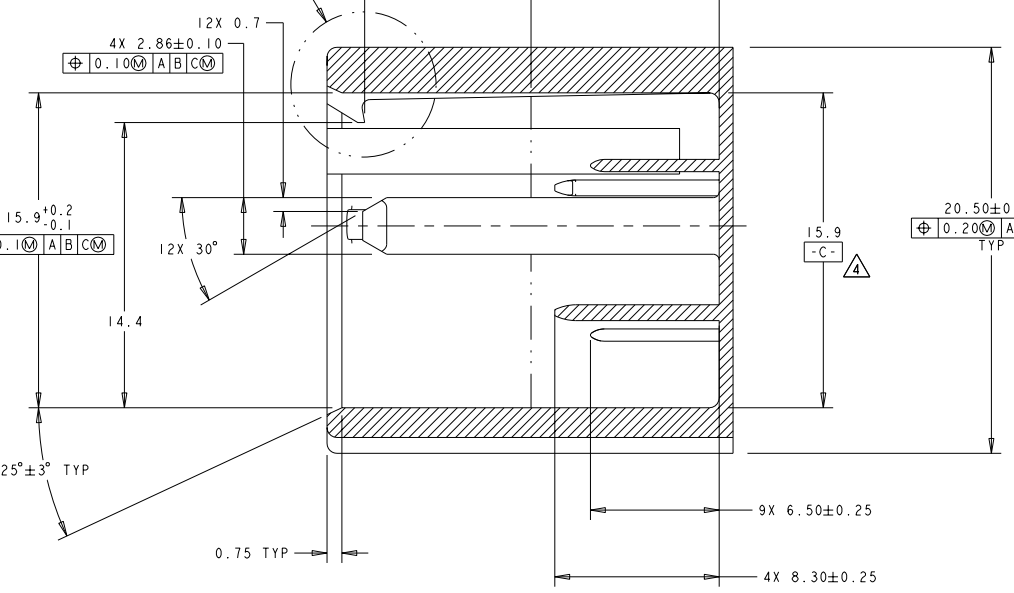
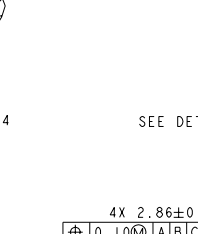
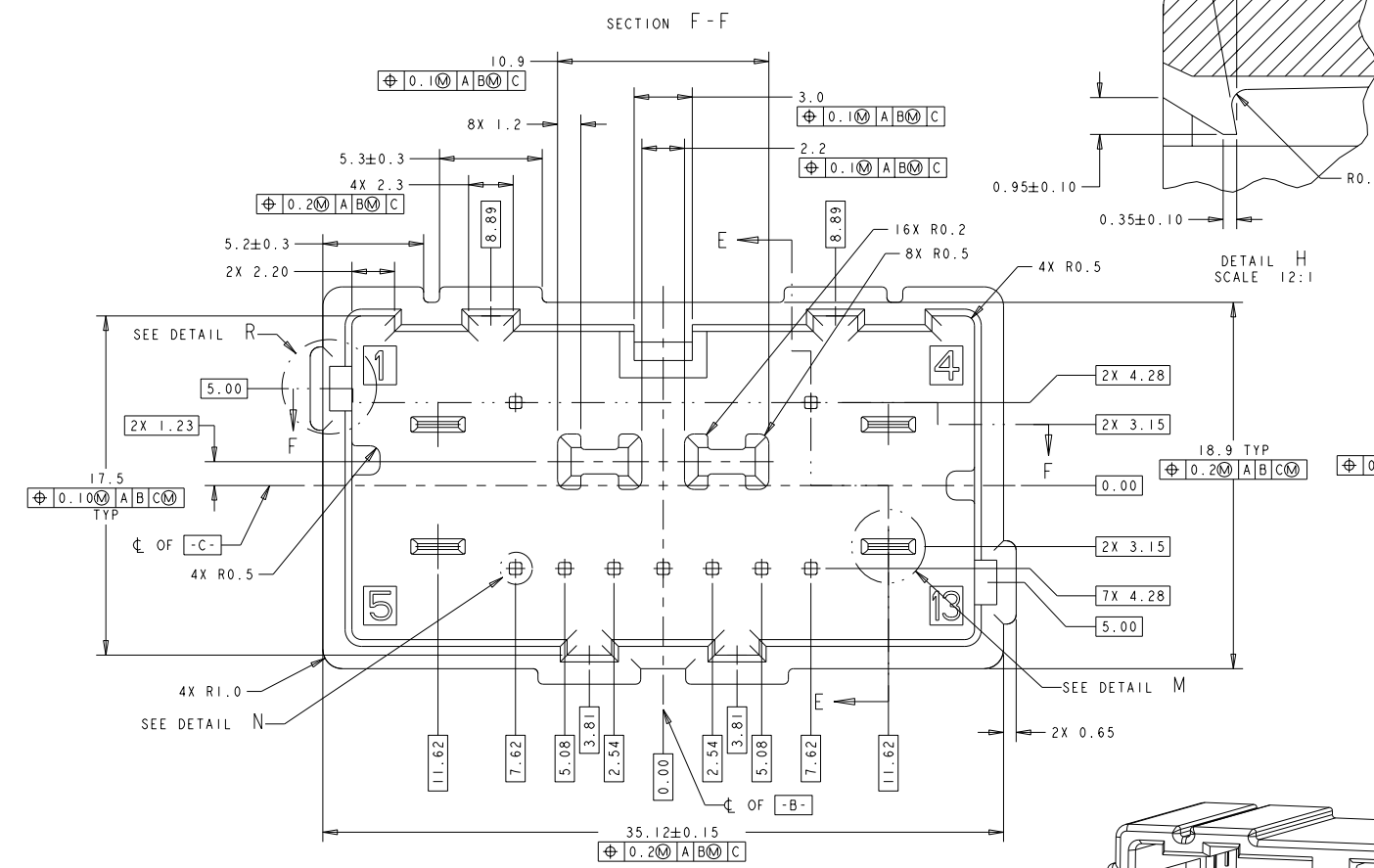
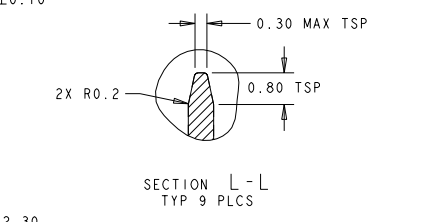
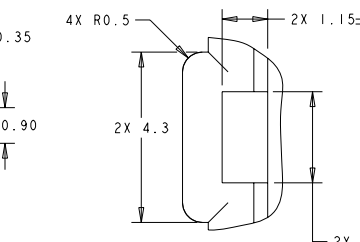
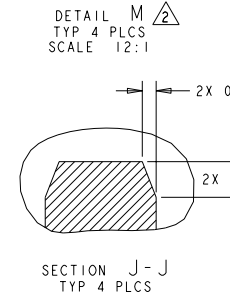
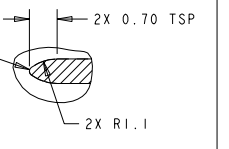
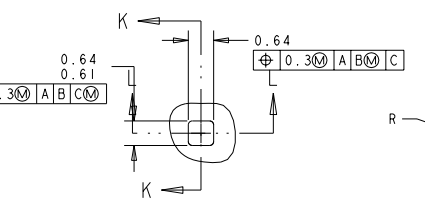
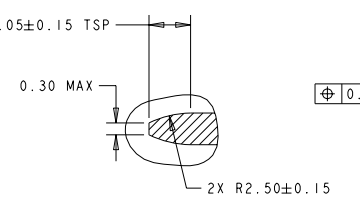
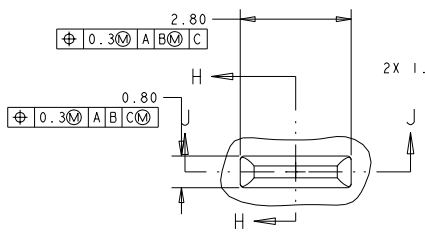
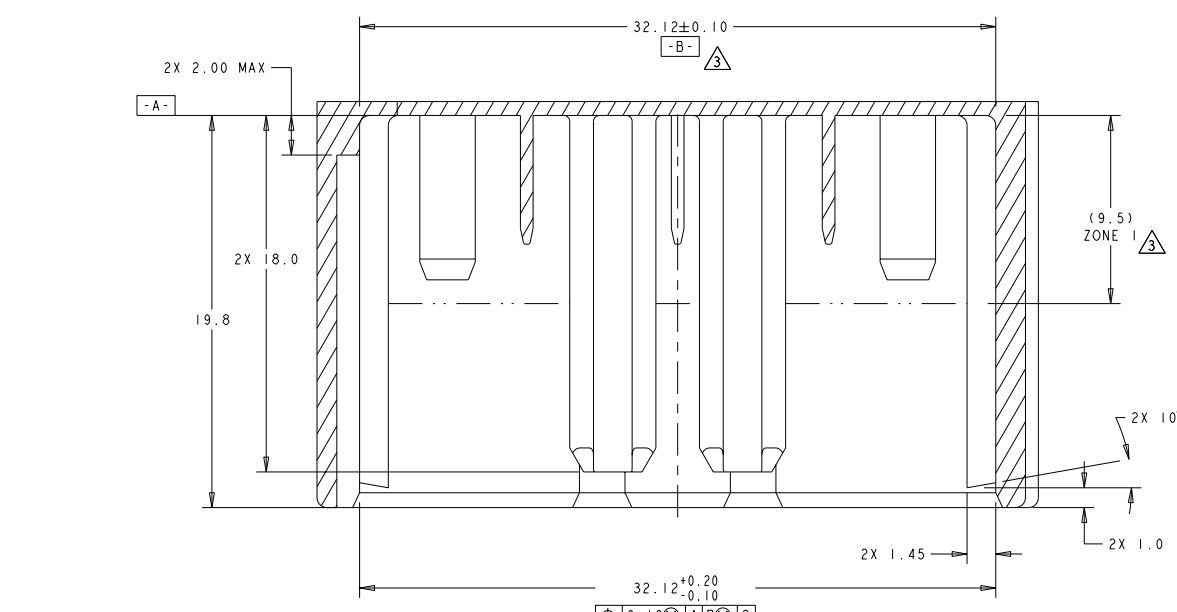


LOC		DIST		REVISIONS			
AV	IN	F	LTN	DESCRIPTION	DATE	DRN	APPD
		1		FIRST DRAFT	07AUG2007	MBH	AV
		2		REVISED - ADDED CUTOUTS TO SIDE WALLS	12JAN2009	MBH	AV
		A		RELEASE	03APR2009	AV	AV



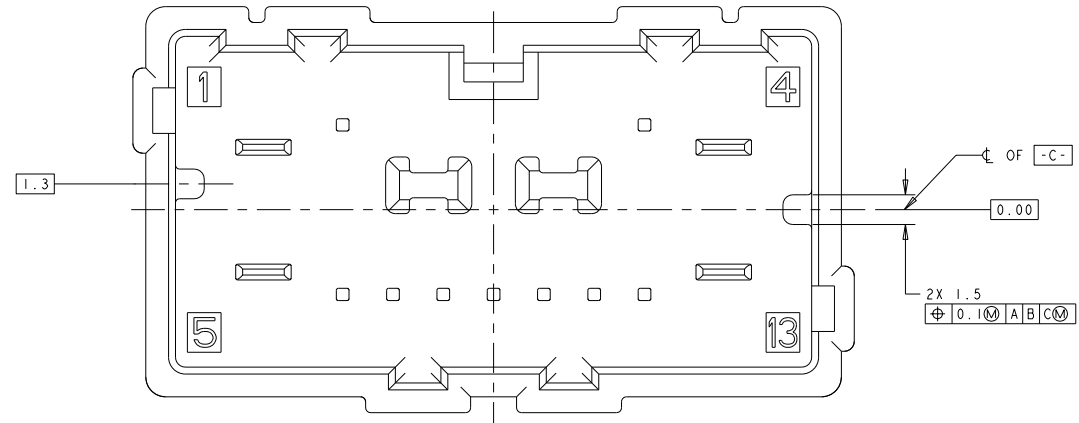
ISOMETRIC VIEWS  
SCALE 4:1

- NOTES:
- KEYING OPTION "A" SHOWN IN GENERAL VIEWS.
  - 0.64 PINS: 0.8µm MIN TIN FOR A LENGTH OF 4.15 MIN FROM MATING END, OVER 2.0µm MIN NICKEL.
  - 2.8 BLADES: 0.8µm MIN TIN FOR A LENGTH OF 6.2 MIN FROM MATING END, OVER 2.0µm MIN NICKEL.
  - DATUM SIZE TO BE MEASURED IN ZONE I.
  - DATUM SIZE TO BE MEASURED IN ZONE II.
  - DRAFT WITHIN TOLERANCE.
  - ALL UNMARKED RADII TO BE R0.3±0.1, UNLESS OTHERWISE SPECIFIED.
  - MATES WITH TE PART # 1924667

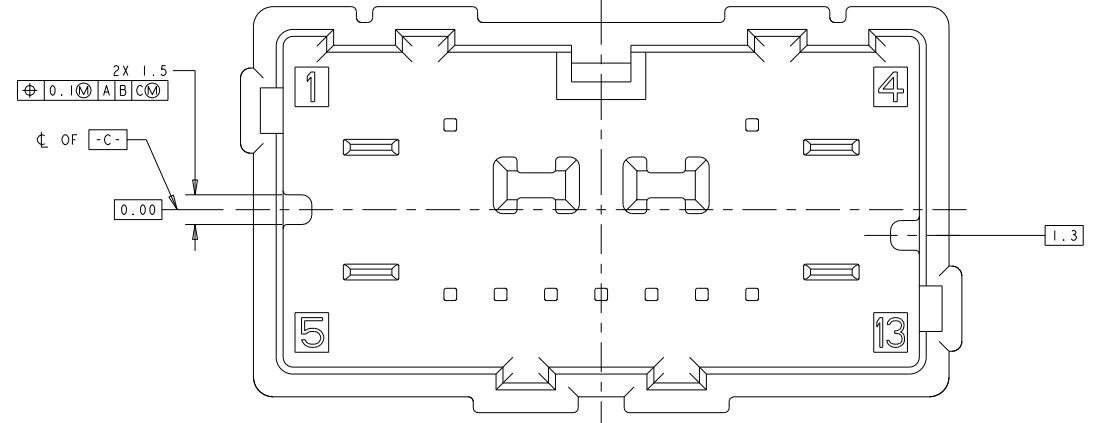
DIMENSIONS:		TOLERANCES UNLESS OTHERWISE SPECIFIED:		DRAWN: M. HITCHCOCK		DATE: 07AUG2007		Tyco Electronics	
mm		0 PLC ±0.0		CHK: A. YASBINDER		DATE: 07AUG2007		Harrisburg, PA 17105-3608	
		1 PLC ±0.1		APPD: A. YASBINDER		DATE: 07AUG2007		NAME	
		2 PLC ±0.05		PRODUCT SPEC				13 POSITION (9-0.64 X 4-2.8)	
		3 PLC ±0.0		APPLICATION SPEC				UNSEALED INTERFACE	
		4 PLC ±0.0		WEIGHT		SIZE		CAGE CODE	
MATERIAL		FINISH		CUSTOMER DRAWING		A   00779		DRAWING NO	
						C=1924667-INT		RESTRICTED TO	
						SCALE		SHEET	
						6:1		1 OF 2	
								REV A	

THIS DRAWING IS UNPUBLISHED. RELEASED FOR PUBLICATION 20  
 © COPYRIGHT 20 BY TYCO ELECTRONICS CORPORATION. ALL RIGHTS RESERVED.

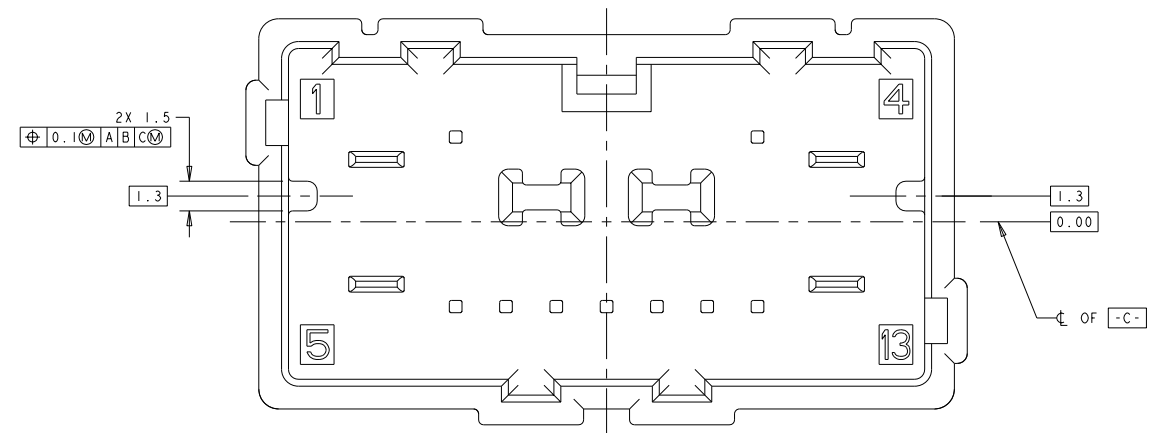
LOC		DIST		REVISIONS			
AV	IN	P	LTN	DESCRIPTION	DATE	DRN	APFD
-	-	-	-	SEE SHEET 1	-	-	-



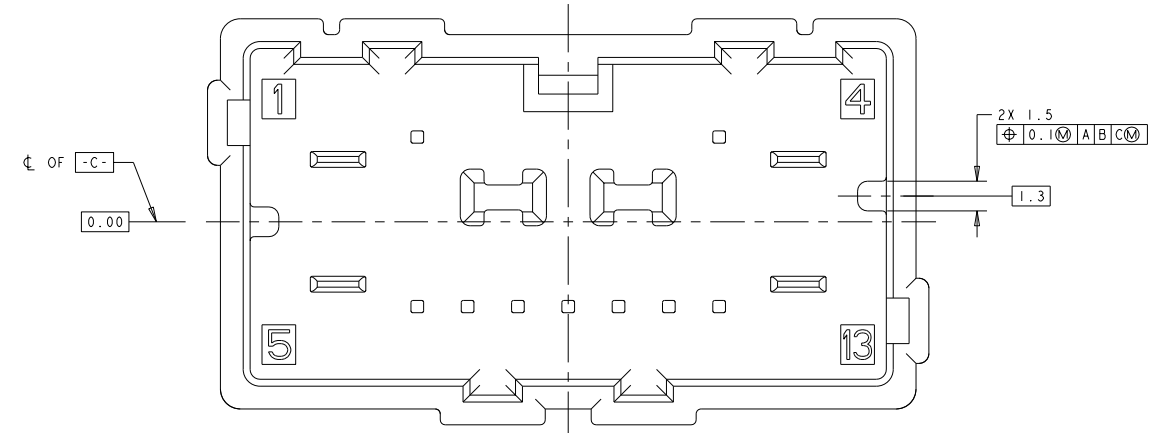
**KEYING OPTION "A"**  
SCALE 6:1



**KEYING OPTION "B"**  
SCALE 6:1



**KEYING OPTION "C"**  
SCALE 6:1



**KEYING OPTION "D"**  
SCALE 6:1

DIMENSIONS:		TOLERANCES UNLESS OTHERWISE SPECIFIED:		DRAWN: M. HITCHCOCK 07AUG2007		Tyco Electronics Harrisburg, PA 17105-3608	
mm		0 PLC ±0.0 1 PLC ±0.1 2 PLC ±0.05 3 PLC ±0.0 4 PLC ±0.0		CHK: A. VASBINDER 07AUG2007		NAME: 13 POSITION (9-0.64 X 4-2.8) UNSEALED INTERFACE	
MATERIAL:		FINISH:		APPROVED: A. VASBINDER 07AUG2007		SIZE: A	
-		-		APPLICATION SPEC:		CAGE CODE: 00779	
-		-		WEIGHT:		DRAWING NO: 1924667-INT	
-		-		CUSTOMER DRAWING:		RESTRICTED TO: -	
-		-		SCALE: 4:1		SHEET 2 OF 2	
-		-		REV: A		REV: A	

# Mouser Electronics

Authorized Distributor

Click to View Pricing, Inventory, Delivery & Lifecycle Information:

[TE Connectivity:](#)

[1924667-1](#)