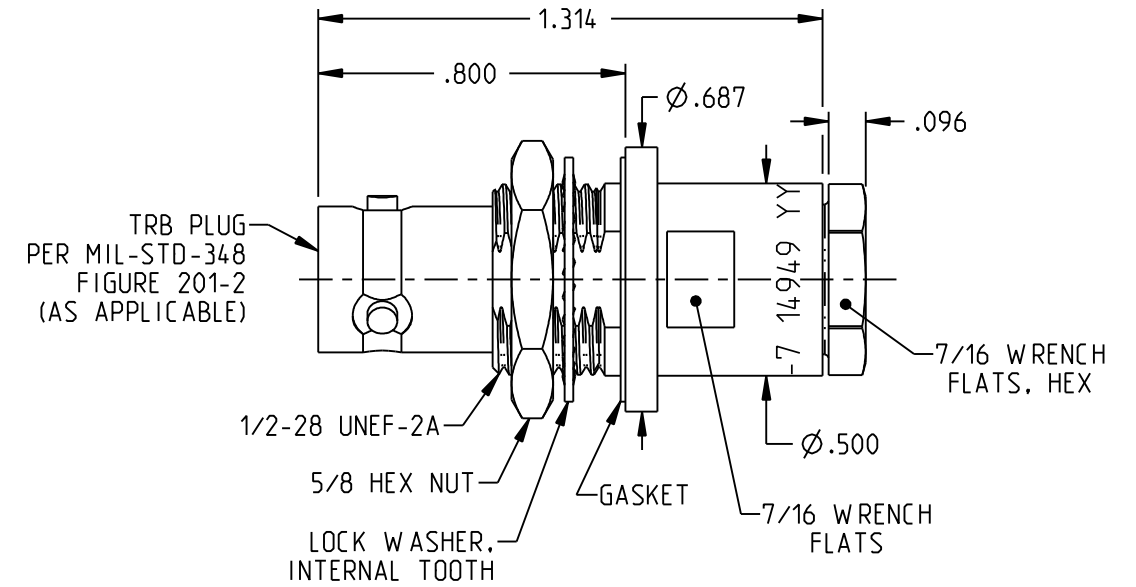
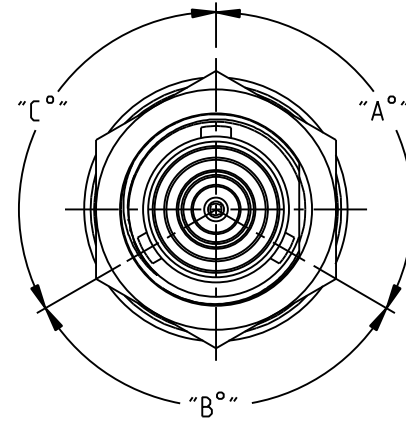
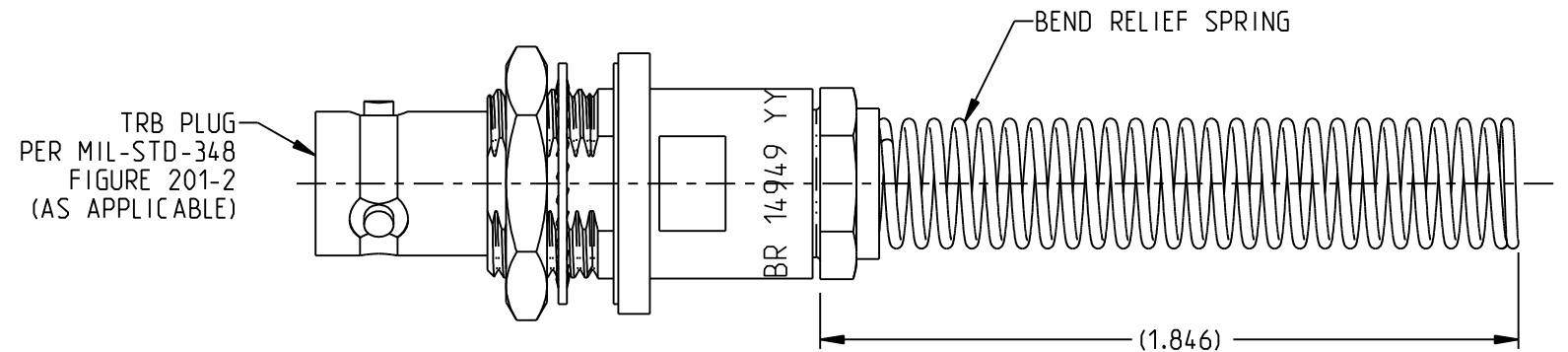
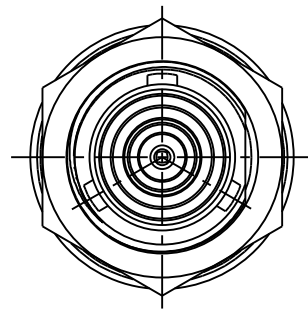


TABLE 1			
MODEL NUMBER	CABLES ACCOMMODATED	ASSEMBLE PER	SH
BJ79-7	TRC-50-2 TRC-75-2	TAI-189	1
BJ79-9	TWC-78-2 TWC-124-2	TAI-102	
BJ79-23	250-3884, MICRODOT	TAI-189	
BJ79-24	202-3934, MICRODOT	TAI-102	
BJ79-24A	9530A5117, RAYCHEM	TAI-189	
BJ79-25	T-43M, GENERAL	TAI-102	
BJ79-25A	5021H5331, RAYCHEM	TAI-189	
BJ79-26	7028A5518, RAYCHEM		
BJ79-27	202-3927, MICRODOT	TAI-102	
BJ79-29	TWC-78-1 TWC-124-1A		
BJ79-30	761A, W.E.CO. 8441, BELDEN		
BJ79-32	TRC-50-1	TAI-189	
BJ79-33	TRC-75-1		
BJ79-42	21-204, ESSEX 4463 CONSOLIDATED		
BJ79-43	250-4044, 250-4045, 293-3930, MICRODOT	TAI-102	
BJ79-45	M27500-22TE2T14 1100-66F, STANDARD		
BJ79-47	M17/176-00002		
BJ79-49	TWAC-78-1F2	TAI-189	
BJ79-55	89272, BELDEN		
BJ79-56	GC875GC1, GRUMMAN		
BJ79-57	GC875GB1, GRUMMAN	TAI-102	
BJ79-58	GC875TM24H, GRUMMAN		
BJ79-58-1T	GC875TM24H, GRUMMAN	—	
BJ79-59	GC875LN1, GRUMMAN		
BJ79-60	M17/177, THERMATICS 380-10045, BOEING	TAI-189	
BJ79-64	7528A5314, RAYCHEM		

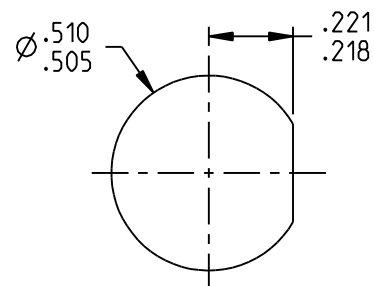
TABLE 2			
POLARIZATION CHART			
KEYING LETTER	"A°"	"B°"	"C°"
NONE	120	120	120
T	100	150	110
U	120	130	110
V	115	130	115
W	125	110	125
X	130	100	130
Y	110	140	110
Z	100	160	100
S	135	135	90



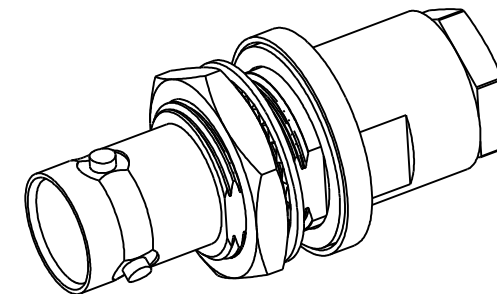
BJ79-7 SHOWN  
UNLESS OTHERWISE SPECIFIED  
DIMENSIONS COMMON TO ALL MODEL NO.



BJ79-7BR SHOWN



RECOMMENDED  
PANEL CUTOUT



NOTES: UNLESS OTHERWISE SPECIFIED.

1. MATERIAL & FINISH:

- 1.1 BODY, CONE & CLAMP NUT: NICKEL PLATED BRASS
- 1.2 INSULATORS & DIELECTRIC: PTFE (TEFLON)
- 1.3 INTERMEDIATE CONTACT: GOLD PLATED BRASS
- 1.4 CENTER CONTACT: GOLD PLATED BERYLLIUM COPPER
- 1.5 GASKET: SILICONE RUBBER
- 1.6 MOUNTING HARDWARE: NICKEL PLATED COPPER ALLOY
- 1.7 BEND RELIEF SPRING: PASSIVATED STAINLESS STEEL

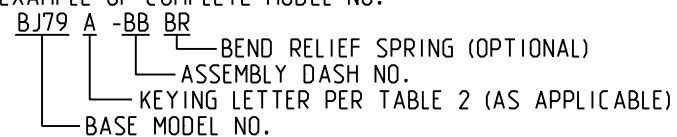
2. ELECTRICAL:

- 2.1 FREQUENCY (MAX): 500 MHZ
- 2.2 IMPEDANCE: NON-CONSTANT

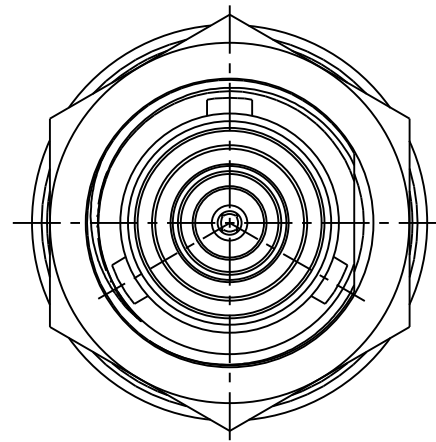
3. PANEL NUT TORQUE (MAX): 40 IN-LBS

4. ASSEMBLE PER TABLE 1.

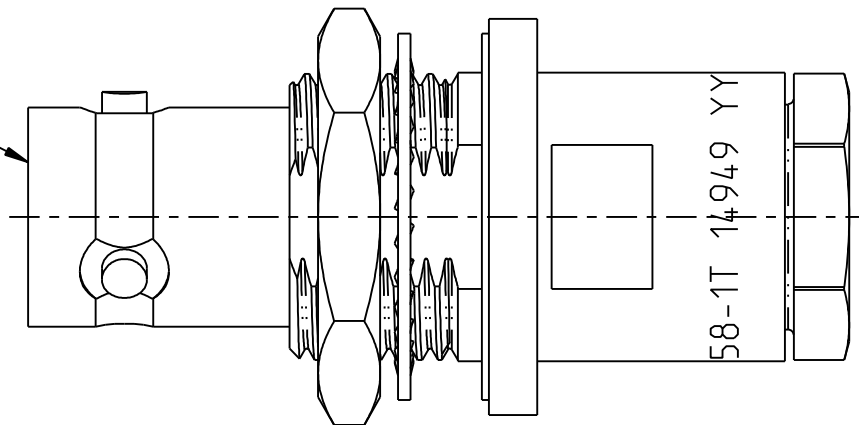
5. EXAMPLE OF COMPLETE MODEL NO.



<p>This PROPRIETARY Document is property of Cinch Connectivity Solutions. It is confidential in nature, non-transferable, and issued with the clear understanding that it is not traced or copied without permission and is returnable upon demand.</p> <p>INTERPRET DRAWING IN ACCORDANCE WITH ASME Y14.5-2009.</p>	<p>3RD ANGLE PROJECTION</p> <p>RoHS2</p> <p>2011/65/EU</p> <p>UNLESS OTHERWISE SPECIFIED UNITS: INCH</p> <p>.XX ±.02</p> <p>.XXX ±.010</p> <p>ANGLES ±2°</p>	<p><b>TROMPETER</b></p> <p>Title: TRB CABLE JACK, BULKHEAD MOUNT, TOOL CRIMP</p> <p>Model No. BJ79A-BBCC</p> <p>Size B</p> <p>DO NOT SCALE DRAWING</p> <p>Date 9/10/2018</p> <p>Sheet 1 OF 2</p>
--	--	--



TRB PLUG  
PER MIL-STD-348  
FIGURE 201-2  
(AS APPLICABLE)



BJ79-58-1T SHOWN

NOTES: UNLESS OTHERWISE SPECIFIED (THIS PAGE)

1. MATERIAL & FINISH:
  - 1.1 BODY, CONE & CLAMP NUT: TIN PLATED BRASS
  - 1.2 INSULATORS & DIELECTRIC: PTFE (TEFLON)
  - 1.3 INTERMEDIATE CONTACT: GOLD PLATED BRASS
  - 1.4 CENTER CONTACT: GOLD PLATED BERYLLIUM COPPER
  - 1.5 GASKET: SILICONE RUBBER
  - 1.6 MOUNTING HARDWARE: TIN PLATED COPPER ALLOY

<p>This PROPRIETARY Document is property of Cinch Connectivity Solutions. It is confidential in nature, non-transferable, and issued with the clear understanding that it is not to be traced or copied without permission and is returnable upon demand.</p> <p>INTERPRET DRAWING IN ACCORDANCE WITH ASME Y14.5-2009.</p>		<b>TROMPETER</b>	
		Title: TRB CABLE JACK, BULKHEAD MOUNT, TOOL CRIMP	
Model No. BJ79A-BBCC		Size B	Date 9/10/2018
UNLESS OTHERWISE SPECIFIED UNITS: INCH .XX ±.02 .XXX ±.010 ANGLES ±2°		DO NOT SCALE DRAWING	Sheet 2 OF 2

# Mouser Electronics

Authorized Distributor

Click to View Pricing, Inventory, Delivery & Lifecycle Information:

[Cinch Connectivity Solutions:](#)

[BJ79-32](#)