

THIS DRAWING IS UNPUBLISHED. RELEASED FOR PUBLICATION
 © COPYRIGHT - Tyco Electronics AMP GmbH ALL RIGHTS RESERVED.

LOC		DIST		REVISIONS			
P	LTR	DESCRIPTION	DATE	DWN	APVD		
	G1	PN 2--5, 6--2, 8--3 OBSOLETE	22DEC2017	TJ	NG		

SMALL PACK PART NUMBER	UNIT PACKAGE QTY (QTY/PLASTIC BOX)	BULK PACKAGING PART NUMBER
1377173	1	0-0034151-0
1377173	2	0-0034157-0
1377173	3	0-0034158-0
1377173	4	0-0034160-0
1377173	5	0-0130102-0
1377173	6	0-0034162-0
1377173	7	0-0130126-0
1377173	8	0-0034163-0
1377173	9	0-0034853-0
1 1377173	0	0-0160292-0
1 1377173	1	0-0160294-0
1 1377173	2	0-0160296-0
1 1377173	3	0-0160124-0
1 1377173	4	0-0165004-0
1 1377173	5	0-0327043-0
1 1377173	6	0-0320665-0
1 1377173	7	0-0034154-0
1 1377173	8	0-0034155-0
1 1377173	9	0-0165008-0
2 1377173	0	0-0034156-0
2 1377173	1	0-0322249-0
2 1377173	2	0-0324169-0
2 1377173	3	0-0328516-0
2 1377173	4	0-0165010-0
2 1377173	5	0-0106730-0
2 1377173	6	0-0322994-0
2 1377173	7	0-0034165-0
2 1377173	8	0-0165012-0
2 1377173	9	0-0326741-0
3 1377173	0	0-0034166-0
3 1377173	1	0-0160171-0
3 1377173	2	0-0130568-0
3 1377173	3	0-0324165-0
3 1377173	4	0-0160212-0
3 1377173	5	0-0160213-0
3 1377173	6	0-0165015-0
3 1377173	7	0-0165017-0
3 1377173	8	0-0165019-0
3 1377173	9	0-0324172-0
4 1377173	0	0-0052856-0
4 1377173	1	0-0165143-0
4 1377173	2	0-0165167-0
4 1377173	3	0-0131443-0
4 1377173	4	9-0165075-0
4 1377173	5	0-0165075-0
4 1377173	6	9-0165171-0
4 1377173	7	0-0165171-0
4 1377173	8	0-0131444-0
4 1377173	9	0-0165085-0
5 1377173	0	0-0131445-0
5 1377173	1	0-0321026-0
5 1377173	2	0-0034070-0
5 1377173	3	0-0034071-0
5 1377173	4	0-0034072-0
5 1377173	5	0-0034132-0
5 1377173	6	0-0034134-0
5 1377173	7	0-0034136-0
5 1377173	8	0-0035115-0
5 1377173	9	0-0328730-0
6 1377173	0	0-0165198-0
6 1377173	1	0-055808-1
6 1377173	2	0-0323913-0
6 1377173	3	0-0323914-0
6 1377173	4	0-0323915-0
6 1377173	5	0-0323916-0
6 1377173	6	0-0031880-0
6 1377173	7	0-0036150-0
6 1377173	8	0-0031890-0
6 1377173	9	0-0130008-0

OBSOLETE

OBSOLETE

OBSOLETE

OBSOLETE

OBSOLETE

OBSOLETE

← SUPERSEDED BY PARTNR. 4-1377173-5

← SUPERSEDED BY PARTNR. 4-1377173-7

SMALL PACK PART NUMBER	UNIT PACKAGE QTY (QTY/PLASTIC BOX)	BULK PACKAGING PART NUMBER
7 1377173	0	0-0031894-0
7 1377173	1	0-0328996-0
7 1377173	2	0-0320619-0
7 1377173	3	0-0320565-0
7 1377173	4	0-0130094-0
7 1377173	5	0-0321045-0
7 1377173	6	0-0328998-0
7 1377173	7	0-0035108-0
7 1377173	8	0-0130171-0
7 1377173	9	0-0165034-0
8 1377173	0	0-0160298-0
8 1377173	1	0-0130207-0
8 1377173	2	0-0321035-0
8 1377173	3	0-0323011-0
8 1377173	4	0-0130522-0
8 1377173	5	0-0034541-0
8 1377173	6	0-0130517-0
8 1377173	7	0-0032053-0
8 1377173	8	0-0032498-0
8 1377173	9	0-0032054-0
9 1377173	0	0-0032562-0
9 1377173	1	0-0326861-0
9 1377173	2	0-0130527-0
9 1377173	3	0-0032058-0
9 1377173	4	0-0035559-0
9 1377173	5	0-0130532-0
9 1377173	6	0-0321233-0
9 1377173	7	0-0032059-0
9 1377173	8	0-0160170-0
9 1377173	9	0-0130537-0

OBSOLETE

OBSOLETE

OBSOLETE

OBSOLETE

NOTES:-


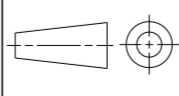
1. OBSOLETE PARTS: OBSOLETE CIS STREAMLINING PER D.RENAUD/D.SINISI

2. REFERENCE:

PN 1377172
1377173
1377174
1377175

3. SHIPPER QTY = 20 X QTY/PLASTIC BOX

4. FOR PN 4-1377173-9 SHIPPER QTY IS 1400 PCS

THIS DRAWING IS A CONTROLLED DOCUMENT.		DWN RyHEUVEN	30JUNE06	 TE Connectivity
DIMENSIONS: mm		CHK MyDRIEL	30JUNE06	
		APVD MyDRIEL	30JUNE06	
TOLERANCES UNLESS OTHERWISE SPECIFIED:		PRODUCT SPEC		NAME SMALL PACK
0 PLC ±		APPLICATION SPEC		SIZE
1 PLC ±		WEIGHT		CAGE CODE
2 PLC ±		CUSTOMER DRAWING		DRAWING NO
3 PLC ±		SCALE		RESTRICTED TO
4 PLC ±		SHEET 1 OF 1		REV G1
ANGLES ±				
FINISH				

Mouser Electronics

Authorized Distributor

Click to View Pricing, Inventory, Delivery & Lifecycle Information:

[TE Connectivity:](#)

[4-1377173-9](#)