

4

3

2

1

THIS DRAWING IS UNPUBLISHED.

RELEASED FOR PUBLICATION

© COPYRIGHT - By -

ALL RIGHTS RESERVED.

REVISIONS

P	LTR	DESCRIPTION	DATE	DWN	APVD
B2		ECR-14-003969	25MAR16	T.Q	W.H

(AS SHOWN : -6)

Top view of the connector post header assembly. Dimensions include: 1.75, ±0.1, 4.0, ±0.1, PITCH ±0.1, 12.0, ±0.1, 2.0 PITCH, 6.5, 4.3, 2.2, 1.2, "G" ∅1.5^{+0.1}/₀. Section lines A-A, B-B, and H-H are indicated.

SECT "G"- "G"

Top view of the 9P only connector post header assembly. Dimensions include: 6.80, 2.20, 3.90, 1.20, ±0.1, 12.0 PITCH, ±0.1, 2.0 PITCH, ±0.1, 4.0, ±0.1, ∅1.5^{+0.1}/₀, 1.75, ±0.1, 2.75, 3.65, 1.0, ±0.1, 1.75, ±0.1, 1.0.

9P ONLY

SECT "H"- "H"

TOP OF REEL

Fig-1

WINDING THE COVER TAPE AROUND THE OUTER PERIPHERY IN A TURN

PEELING ANGLE, 165-180°

15 HOLES

WITHOUT CHARGE 300mm APPROX WITH PRODUCT CHARGE WITHOUT CHARGE 600mm APPROX

OBSOLETE

COLOR	PLATE	D	C	B	A	QTY/REEL	POS	TAPING P/N
BLACK		44.0	40.50	20.25	25.60	9	2-292175-9	
		44.0	40.4	20.2	22.9	8	2-	-8
		32.0	28.4	14.2	20.9	7	2-	-7
		32.0	28.4	14.2	18.9	6	2-	-6
		32.0	28.4	14.2	16.9	5	2-	-5
		32.0	28.4	14.2	14.9	4	2-	-4
		32.0	28.4	14.2	12.9	3	2-	-3
NATURAL	WITH	32.0	28.4	14.2	10.9	700	2	2-292175-2
		44.0	40.50	20.25	25.60	9	292175-9	
		44.0	40.4	20.2	22.9	8		-8
		32.0	28.4	14.2	20.9	7		-7
		32.0	28.4	14.2	18.9	6		-6
		32.0	28.4	14.2	16.9	5		-5
		32.0	28.4	14.2	14.9	4		-4
WITH	32.0	28.4	14.2	12.9	3		-3	

NOTES:

1. PEELING RESISTANCE: 0.196N(20gf)-0.686N(70gf)
SPEED: 300mm/min

TOLERANCE UNLESS OTHERWISE SPECIFIED

10>*	±0.2
30>*>10	±0.25
100>*>30	±0.3
ANGLE	±3°

THIS DRAWING IS A CONTROLLED DOCUMENT.

DIMENSIONS:
mm

MATERIAL

TOLERANCES UNLESS OTHERWISE SPECIFIED:

0 PLC	±
1 PLC	±
2 PLC	±
3 PLC	±
4 PLC	±
ANGLES	±

FINISH

DWN JACH HOU 19SEP10

CHK MARTIN LI 19SEP10

APVD STEVEN YAO 19SEP10

PRODUCT SPEC

APPLICATION SPEC

WEIGHT

CUSTOMER DRAWING

NAME

ON TAPING (EMBOSS)
TE CT CONNECTOR POST HEADER ASS'Y
(BOX-V SMT W/O BOSS & W/TAI)

SIZE	CAGE CODE	DRAWING NO	RESTRICTED TO
A3	00779	C=292175	-

SCALE	SHEET	REV
1:1	1 OF 3	B2

1470-19 (1/15)

4

3

2

1

THIS DRAWING IS UNPUBLISHED.

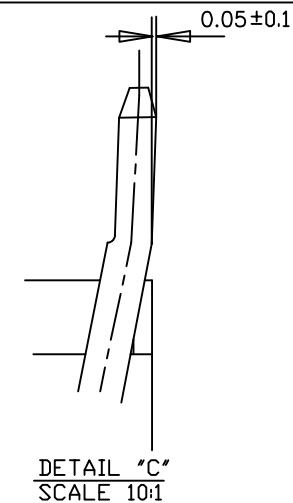
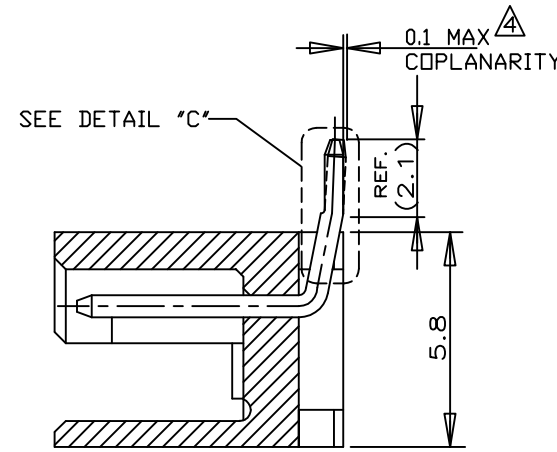
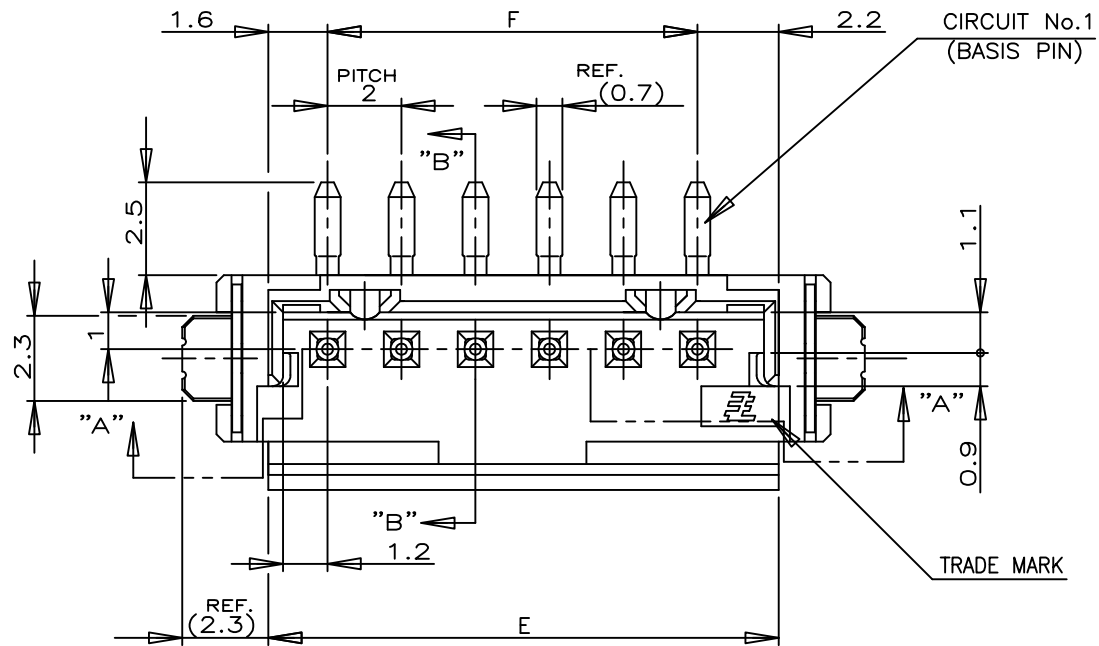
RELEASED FOR PUBLICATION

ALL RIGHTS RESERVED.

© COPYRIGHT - BY

REVISIONS

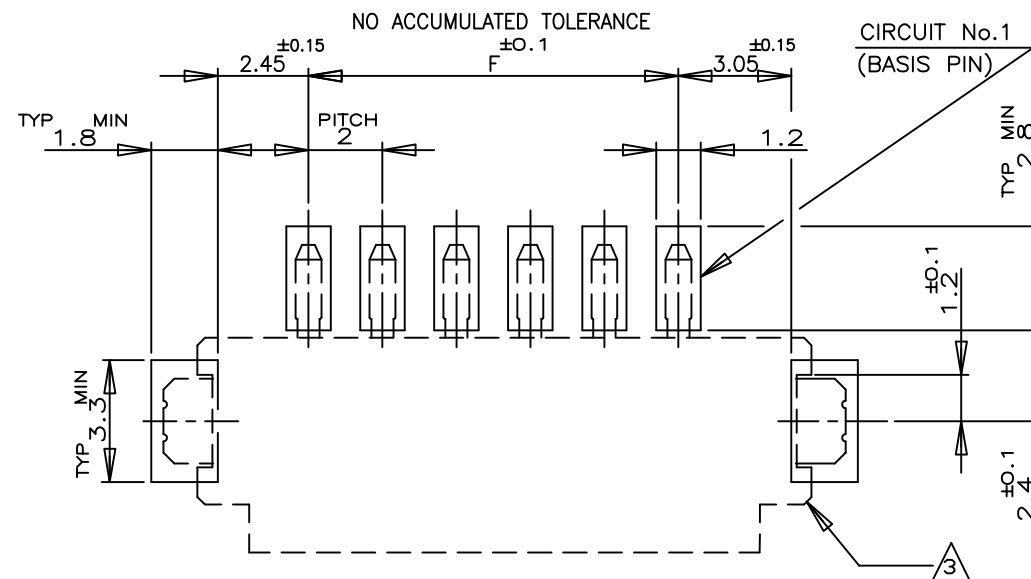
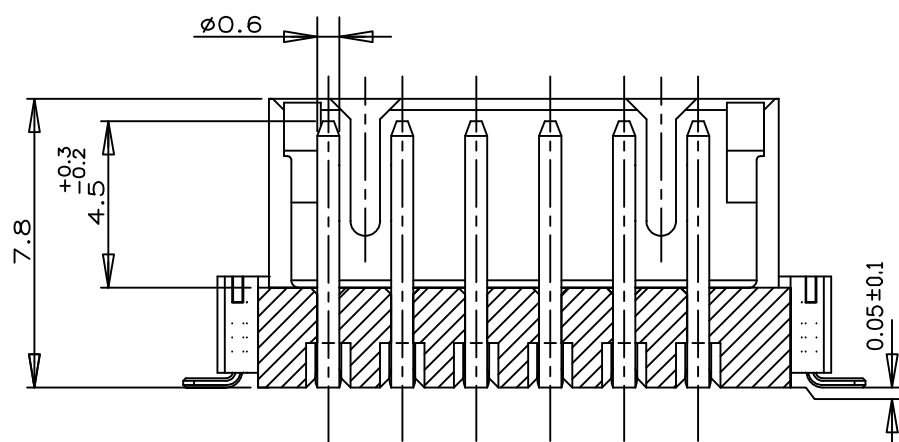
P	LTR	DESCRIPTION	DATE	DWN	APVD
-	-	SEE SHEET 1	-	-	-



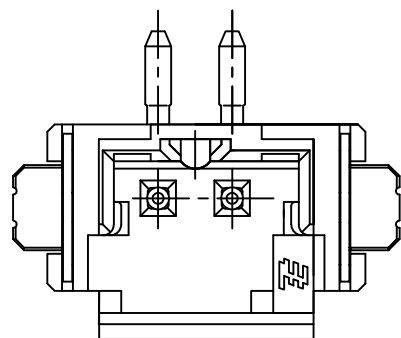
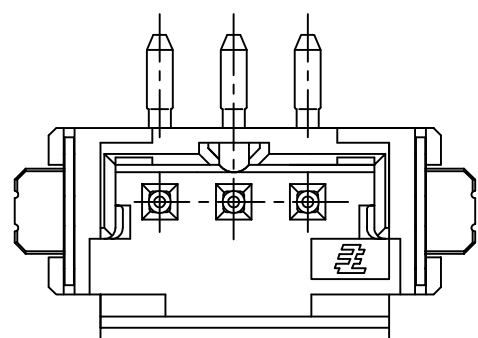
NOTES;

- 2. MATERIAL: HSG-6T PA(G.F.30%)(UL94V-0)
COLOR: NATURAL, BLACK
POST: TIN BRASS
TAIL: TIN BRASS

- △ OCCUPANT AREA ON PC BOARD
- △ TO BE MEASURED WITH CONNECTOR PLACED ON HORIZONTAL DATUM SURFACE, FLOAT OF SOLDER TINE AND TAIL FROM DATUM SURFACE IS 0.1mm MAX



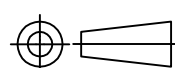
16.0	19.8	9	2-292175-9	292175-9
14.0	17.8	8	2-▲-8	▲-8
12.0	15.8	7	2-▲-7	▲-7
10.0	13.8	6	2-▲-6	▲-6
8.0	11.8	5	2-▲-5	▲-5
6.0	9.8	4	2-▲-4	▲-4
4.0	7.8	3	2-▲-3	▲-3
2.0	5.8	2	2-292175-2	292175-2
F	E	POS.	BLACK	NATURAL
P/N				



TOLERANCES UNLESS OTHERWISE SPECIFIED:
 10** : ±0.2
 30**>10 : ±0.25
 100**>30 : ±0.3
 ANGEL : ±3°

THIS DRAWING IS A CONTROLLED DOCUMENT.

DIMENSIONS: mm



MATERIAL: SEE NOTE

TOLERANCES UNLESS OTHERWISE SPECIFIED:

0 PLC ± -
 1 PLC ± -
 2 PLC ± -
 3 PLC ± -
 4 PLC ± -
 ANGLES ± -

FINISH: SEE NOTE

DWN: -

CHK: -

APVD: -

PRODUCT SPEC

108-60016

APPLICATION SPEC

WEIGHT: 0

CUSTOMER DRAWING

STE TE Connectivity

ON TAPING (EMBOSS)
 SMT TYPE POST HDR ASS'Y(V)
 W/O BOSS & WITH TAIL TYPE

SIZE	CAGE CODE	DRAWING NO	RESTRICTED TO
A3	00779	C=292175	-

SCALE 5:1 SHEET 2 of 3 REV B2

THIS DRAWING IS UNPUBLISHED.

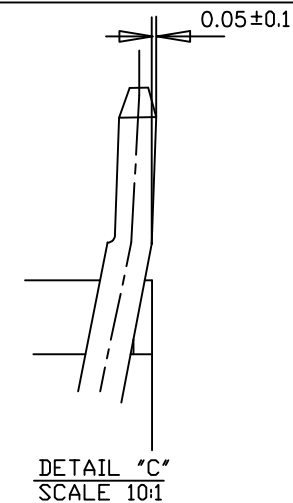
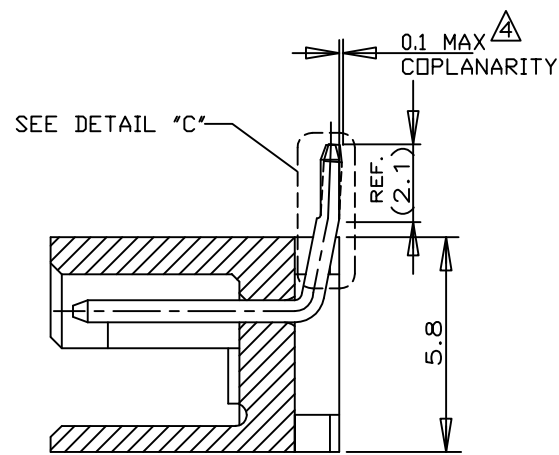
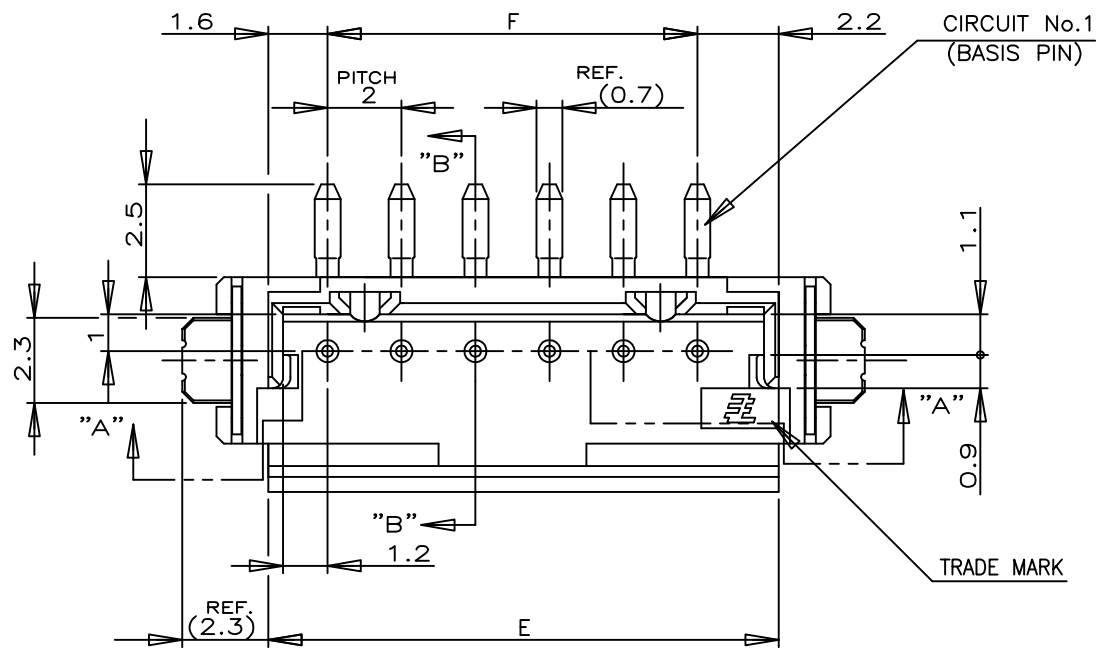
RELEASED FOR PUBLICATION

ALL RIGHTS RESERVED.

© COPYRIGHT - BY

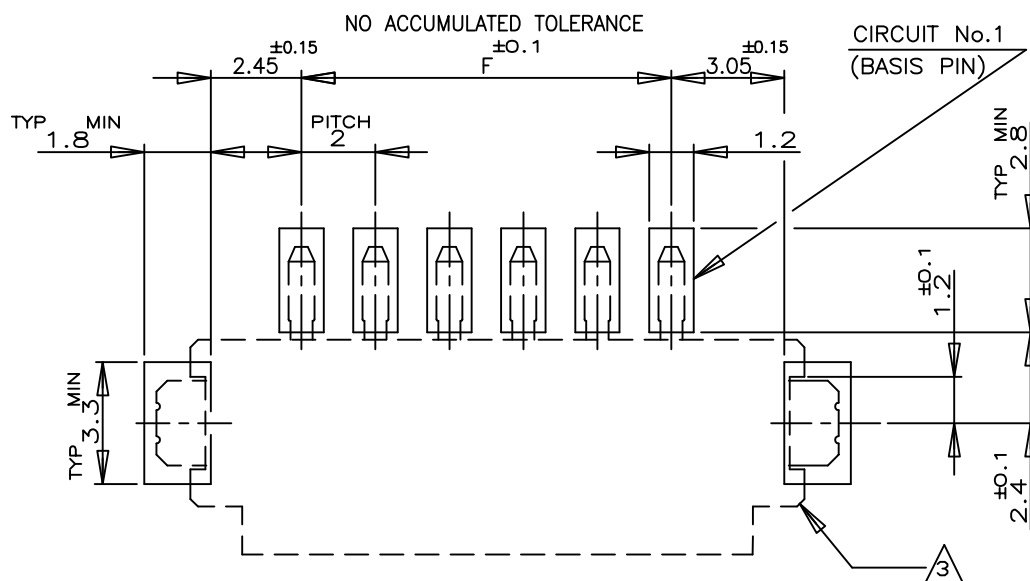
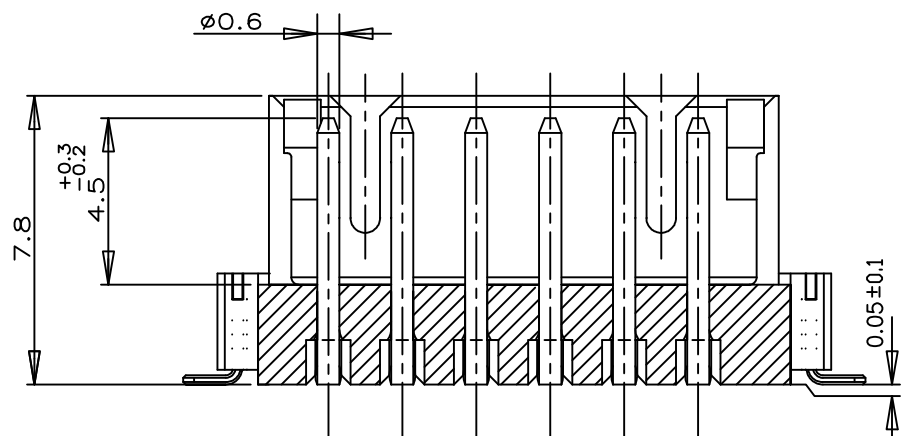
REVISIONS

P	LTR	DESCRIPTION	DATE	DWN	APVD
-	-	SEE SHEET 1	-	-	-

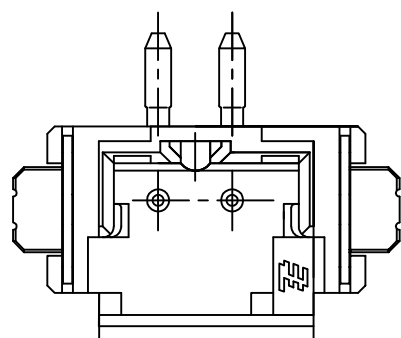
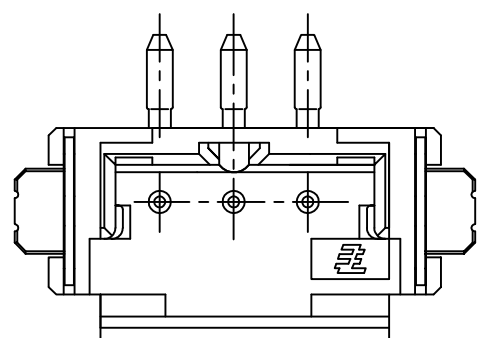


NOTES;

- 2. MATERIAL:HSG-6T PA(G.F.30%)(UL94V-0)
COLOR:NATURAL,BLACK
POST:TIN BRASS
TAIL: TIN BRASS
- △ OCCUPANT AREA ON PC BOARD
- △ TO BE MEASURED WITH CONNECTOR PLACED ON HORIZONTAL DATUM SURFACE,FLOAT OF SOLDER TINE AND TAIL FROM DATUM SURFACE IS 0.1mm MAX



RECOMENOED P.C.BOARD LAYOUT (P.C.B THK:0.8mm MIN)



TOLERANCES UNLESS OTHERWISE SPECIFIED:
 10** : ±0.2
 30**>10 : ±0.25
 100**>30 : ±0.3
 ANGEL : ±3°

THIS DRAWING IS A CONTROLLED DOCUMENT.		DWN	-
DIMENSIONS: mm		CHK	-
TOLERANCES UNLESS OTHERWISE SPECIFIED:		APVD	-
0 PLC ± -		PRODUCT SPEC	108-60016
1 PLC ± -		APPLICATION SPEC	
2 PLC ± -		WEIGHT	0
3 PLC ± -		CUSTOMER DRAWING	
4 PLC ± -			
ANGLES ± -			
MATERIAL	FINISH		
SEE NOTE	SEE NOTE		

10.0	13.8	6	2-292175-6	292175-6
F	E	POS.	BLACK	NATURAL
P/N				

STE TE Connectivity				
ON TAPING (EMBOSS) SMT TYPE POST HDR ASS'Y(V) W/O BOSS & WITH TAIL TYPE				
SIZE	CAGE CODE	DRAWING NO	RESTRICTED TO	
A3	00779	C=292175	-	
SCALE 5:1		SHEET 3 of 3	REV B2	