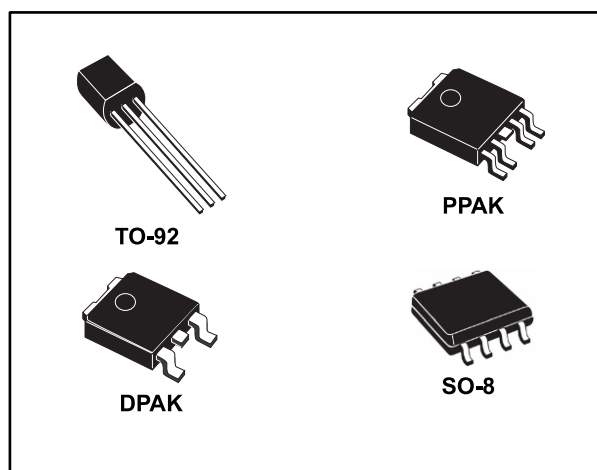


Very low drop voltage regulators with inhibit

Datasheet - production data



Description

The L4931 is a very low drop regulator available in SO-8, DPAK, PPAK and TO-92 packages and in a wide range of output voltages.

The very low drop voltage (0.4 V) and the very low quiescent current make it particularly suitable for low noise, low power applications and especially in battery-powered systems.

A TTL compatible shutdown logic control function is available in PPAK and SO-8 packages. This means that when the device is used as a local regulator, a part of the board can be put in standby mode, decreasing the total power consumption. It requires only a 2.2 μF capacitor for stability allowing space and cost saving.

The L4931 is available as automotive-grade in SO-8 package only. This device is qualified according to the specification AEC-Q100 of the automotive market, in the temperature range from 40 °C to 125 °C, and the statistical tests: PAT, SYL, SBL are performed.

Features

- Very low dropout voltage (0.4 V)
- Very low quiescent current
- Typ. 50 μA in OFF mode, 600 μA in ON mode
- Output current up to 250 mA
- Logic controlled electronic shutdown
- Output voltages: 3.3; 3.5; 5; 12 V
- Automotive-grade product: 3.3 V V_{OUT} in SO-8 package only
- Internal current and thermal limit
- Only 2.2 μF for stability
- Available in $\pm 1\%$ (AB) or 2% (C) selection at 25 °C
- Supply voltage rejection: 70 dB typ. for 5 V version
- Temperature range: from -40 to 125 °C

Contents

1 Diagram..... 3

2 Pin configuration 4

3 Maximum ratings 5

4 Application circuit 6

5 Electrical characteristics 7

6 Typical application 16

7 Package information 17

 7.1 TO-92 package information..... 17

 7.2 TO-92 Ammopak packing information 18

 7.3 PPAK package information 20

 7.4 DPAK package information 22

 7.5 PPAK and DPAK paking information..... 25

 7.6 SO-8 package information 27

 7.7 SO-8 packing information..... 29

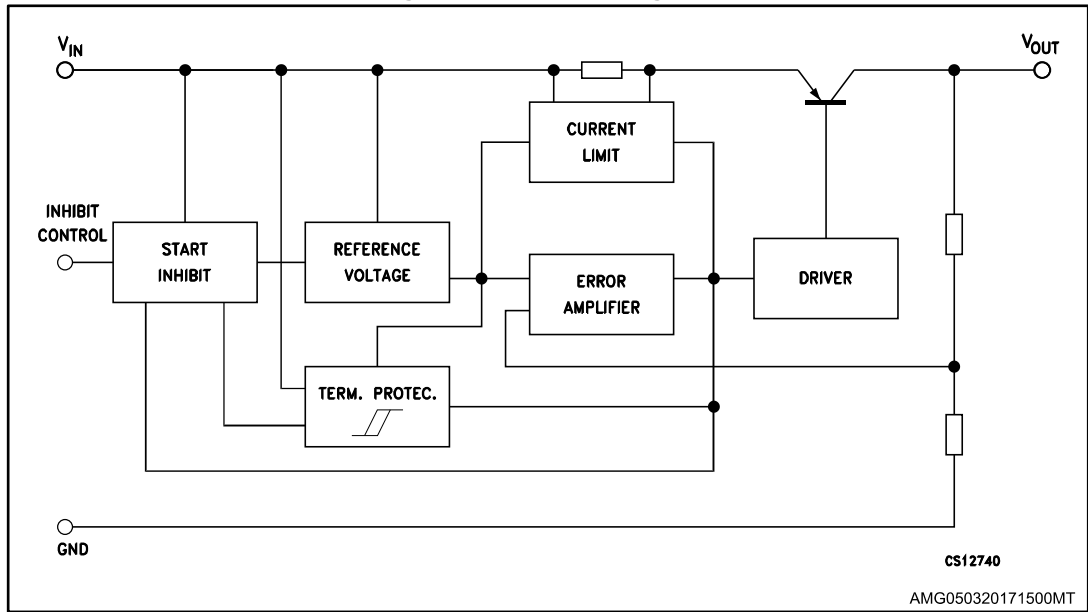
8 Ordering information..... 30

9 Revision history 31



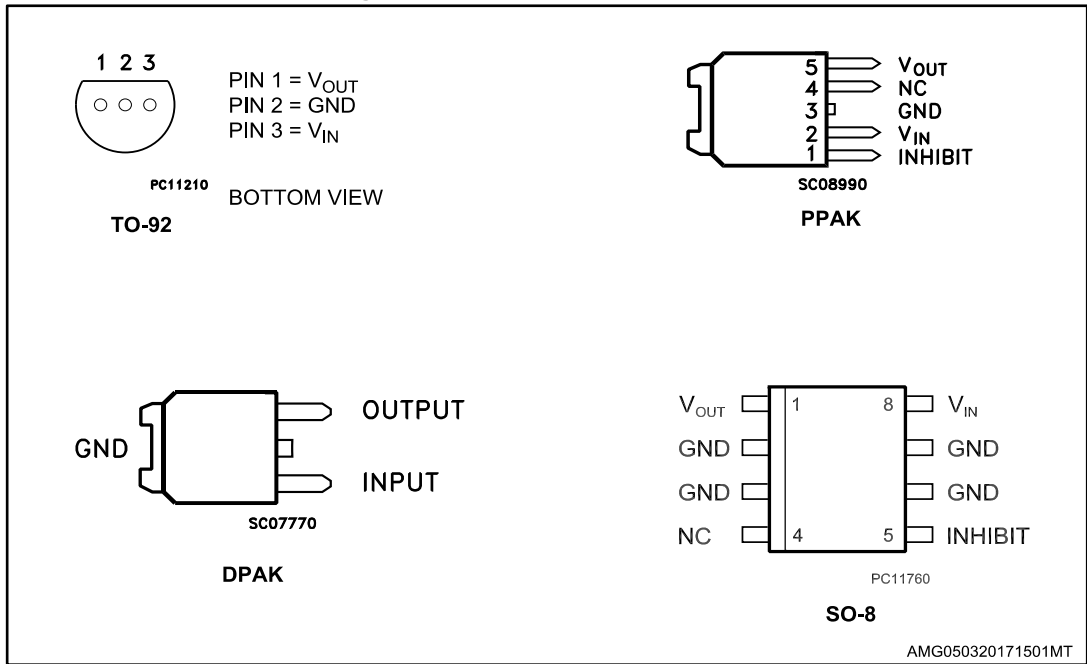
1 Diagram

Figure 1: Schematic diagram



2 Pin configuration

Figure 2: Pin connections (top view)



3 Maximum ratings

Table 1: Absolute maximum ratings

| Symbol | Parameter | Value | Unit |
|-----------|--------------------------------------|--------------------|------|
| V_I | DC Input voltage | 20 | V |
| I_O | Output current | Internally limited | mA |
| P_D | Power dissipation | Internally limited | mW |
| T_{STG} | Storage temperature range | -40 to 150 | °C |
| T_{OP} | Operating junction temperature range | -40 to 125 | °C |



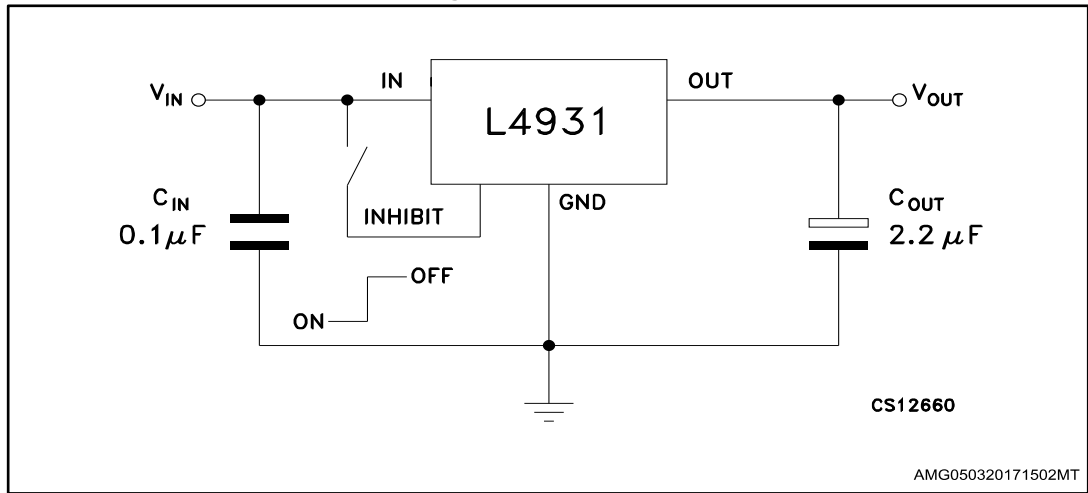
Absolute maximum ratings are those values beyond which damage to the device may occur. Functional operation under these condition is not implied.

Table 2: Thermal data

| Symbol | Parameter | TO-92 | DPAK | SO-8 | Unit |
|------------|-------------------------------------|-------|------|------|------|
| R_{thJC} | Thermal resistance junction-case | | 8 | 20 | °C/W |
| R_{thJA} | Thermal resistance junction-ambient | 200 | 100 | 55 | °C/W |

4 Application circuit

Figure 3: Test circuit



5 Electrical characteristics

(Refer to the test circuits, $T_A = 25\text{ °C}$, $C_I = 0.1\text{ }\mu\text{F}$, $C_O = 2.2\text{ }\mu\text{F}$ unless otherwise specified).

Table 3: L4931ABxx33 electrical characteristics

| Symbol | Parameter | Test conditions | | Min. | Typ. | Max. | Unit |
|--------------|--------------------------------|--|---------------------|-------|------|-------|---------------|
| V_O | Output voltage | $I_O = 5\text{ mA}$, $V_I = 5.3\text{ V}$ | | 3.267 | 3.3 | 3.333 | V |
| | | $I_O = 5\text{ mA}$, $V_I = 5.3\text{ V}$, $T_A = -25\text{ to }85\text{ °C}$ | | 3.234 | | 3.366 | |
| V_I | Operating input voltage | $I_O = 250\text{ mA}$ | | | | 20 | V |
| I_{out} | Output current limit | | | | 300 | | mA |
| ΔV_O | Line regulation | $V_I = 4\text{ to }20\text{ V}$, $I_O = 0.5\text{ mA}$ | | | 3 | 15 | mV |
| ΔV_O | Load regulation ⁽¹⁾ | $V_I = 4.2\text{ V}$, $I_O = 0.5\text{ to }250\text{ mA}$ | | | 3 | 15 | mV |
| I_d | Quiescent current ON mode | $V_I = 4.2\text{ to }20\text{ V}$, $I_O = 0\text{ mA}$ | | | 0.6 | 1 | mA |
| | | $V_I = 4.2\text{ to }20\text{ V}$, $I_O = 250\text{ mA}$ | | | 4 | 6 | |
| | OFF mode | $V_I = 6\text{ V}$ | | | 50 | 100 | μA |
| SVR | Supply voltage rejection | $I_O = 5\text{ mA}$ $V_I = 5.2 \pm 1\text{ V}$ | $f = 120\text{ Hz}$ | | 73 | | dB |
| | | | $f = 1\text{ kHz}$ | | 70 | | |
| | | | $f = 10\text{ kHz}$ | | 55 | | |
| eN | Output noise voltage | $B = 10\text{ Hz to }100\text{ kHz}$ | | | 50 | | μV |
| V_d | Dropout voltage ⁽¹⁾ | $I_O = 250\text{ mA}$ | | | 0.4 | 0.6 | V |
| | | $I_O = 250\text{ mA}$, $T_A = -40\text{ to }125\text{ °C}$ | | | | 0.8 | V |
| V_{IL} | Control input logic low | $T_A = -40\text{ to }125\text{ °C}$ | | | | 0.8 | V |
| V_{IH} | Control input logic high | $T_A = -40\text{ to }125\text{ °C}$ | | 2 | | | V |
| I_I | Control input current | $V_I = 6\text{ V}$, $V_C = 6\text{ V}$ | | | 10 | | μA |
| C_O | Output bypass capacitance | ESR = $0.1\text{ to }10\text{ }\Omega$, $I_O = 0\text{ to }250\text{ mA}$ | | 2 | 10 | | μF |

Notes:

⁽¹⁾For SO-8 package the maximum limit of load regulation and dropout should be increased by 20 mV.

(Refer to the test circuits, $T_A = 25\text{ °C}$, $C_I = 0.1\text{ }\mu\text{F}$, $C_O = 2.2\text{ }\mu\text{F}$ unless otherwise specified).

Table 4: L4931Cxx33 electrical characteristics

| Symbol | Parameter | Test conditions | Min. | Typ. | Max. | Unit |
|--------------|--------------------------------|--|-------|------|-------|---------------|
| V_O | Output voltage | $I_O = 5\text{ mA}$, $V_I = 5.3\text{ V}$ | 3.234 | 3.3 | 3.366 | V |
| | | $I_O = 5\text{ mA}$, $V_I = 5.3\text{ V}$, $T_A = -25\text{ to }85\text{ °C}$ | 3.168 | | 3.432 | |
| V_I | Operating input voltage | $I_O = 250\text{ mA}$ | | | 20 | V |
| I_{out} | Output current limit | | | 300 | | mA |
| ΔV_O | Line regulation | $V_I = 4.1\text{ to }20\text{ V}$, $I_O = 0.5\text{ mA}$ | | 3 | 18 | mV |
| ΔV_O | Load regulation ⁽¹⁾ | $V_I = 4.3\text{ V}$, $I_O = 0.5\text{ to }250\text{ mA}$ | | 3 | 18 | mV |
| I_d | Quiescent current ON mode | $V_I = 4.3\text{ to }20\text{ V}$, $I_O = 0\text{ mA}$ | | 0.6 | 1 | mA |
| | | $V_I = 4.3\text{ to }20\text{ V}$, $I_O = 250\text{ mA}$ | | 4 | 6 | |
| | OFF mode | $V_I = 6\text{ V}$ | | 50 | 100 | μA |
| SVR | Supply voltage rejection | $I_O = 5\text{ mA}$ $V_I = 5.3 \pm 1\text{ V}$ | | 73 | | dB |
| | | | | 70 | | |
| | | | | 55 | | |
| eN | Output noise voltage | $B = 10\text{ Hz to }100\text{ kHz}$ | | 50 | | μV |
| V_d | Dropout voltage ⁽¹⁾ | $I_O = 250\text{ mA}$ | | 0.4 | 0.6 | V |
| | | $I_O = 250\text{ mA}$, $T_A = -40\text{ to }125\text{ °C}$ | | | 0.8 | V |
| V_{IL} | Control input logic low | $T_A = -40\text{ to }125\text{ °C}$ | | | 0.8 | V |
| V_{IH} | Control input logic high | $T_A = -40\text{ to }125\text{ °C}$ | 2 | | | V |
| I_I | Control input current | $V_I = 6\text{ V}$, $V_C = 6\text{ V}$ | | 10 | | μA |
| C_O | Output bypass capacitance | ESR = 0.1 to 10 Ω , $I_O = 0\text{ to }250\text{ mA}$ | 2 | 10 | | μF |

Notes:⁽¹⁾For SO-8 package the maximum limit of load regulation and dropout should be increased by 20 mV.

(Refer to the test circuits, $T_A = -40$ to 125 °C, $C_I = 0.1$ μ F, $C_O = 2.2$ μ F unless otherwise specified).

Table 5: L4931Cxx33-TRY (automotive-grade) electrical characteristics

| Symbol | Parameter | Test conditions | Min. | Typ. | Max. | Unit |
|--------------|------------------------------|---|--------------|------|-------|---------|
| V_O | Output voltage | $I_O = 5$ mA, $V_I = 5.3$ V $T_A = 25$ °C | 3.234 | 3.3 | 3.366 | V |
| | | $I_O = 5$ mA, $V_I = 5.3$ V | 3.168 | | 3.432 | |
| V_I | Operating input voltage | $I_O = 250$ mA | | | 20 | V |
| I_{out} | Output current limit | $T_A = 25$ °C | | 300 | | mA |
| ΔV_O | Line regulation | $V_I = 4.1$ to 20 V, $I_O = 0.5$ mA | | | 20 | mV |
| ΔV_O | Load regulation | $V_I = 4.3$ V, $I_O = 0.5$ to 250 mA | | | 38 | mV |
| I_d | Quiescent current ON mode | $V_I = 4.3$ to 20 V, $I_O = 0$ mA | | | 1 | mA |
| | | $V_I = 4.3$ to 20 V, $I_O = 250$ mA | | | 6 | |
| | OFF mode | $V_I = 6$ V | | | 100 | μ A |
| SVR | Supply voltage rejection | $I_O = 5$ mA $V_I = 5.3 \pm 1$ V $T_A = 25$ °C | $f = 120$ Hz | 73 | | dB |
| | | | $f = 1$ kHz | 70 | | |
| | | | $f = 10$ kHz | 55 | | |
| eN | Output noise voltage | B = 10 Hz to 100 kHz, $T_A = 25$ °C | | 50 | | μ V |
| V_d | Dropout voltage | $I_O = 250$ mA, $T_A = 25$ °C | | 0.4 | 0.6 | V |
| | | $I_O = 250$ mA | | | 0.82 | V |
| V_{IL} | Control input logic low | | | | 0.82 | V |
| V_{IH} | Control input logic high | | 2 | | | V |
| I_I | Control input current | $V_I = 6$ V, $V_C = 6$ V, $T_A = 25$ °C | | 10 | | μ A |
| C_O | Output bypass capacitance | ESR = 0.1 to 10 Ω , $I_O = 0$ to 250 mA, $T_A = 25$ °C | 2 | 10 | | μ F |

(Refer to the test circuits, $T_A = 25\text{ °C}$, $C_I = 0.1\text{ }\mu\text{F}$, $C_O = 2.2\text{ }\mu\text{F}$ unless otherwise specified).

Table 6: L4931ABxx35 electrical characteristics

| Symbol | Parameter | Test conditions | Min. | Typ. | Max. | Unit |
|--------------|--------------------------------|--|-------|------|-------|---------------|
| V_O | Output voltage | $I_O = 5\text{ mA}$, $V_I = 5.5\text{ V}$ | 3.465 | 3.5 | 3.535 | V |
| | | $I_O = 5\text{ mA}$, $V_I = 5.5\text{ V}$ $T_A = -25\text{ to }85\text{ °C}$ | 3.43 | | 3.57 | |
| V_I | Operating input voltage | $I_O = 250\text{ mA}$ | | | 20 | V |
| I_{out} | Output current limit | | | 300 | | mA |
| ΔV_O | Line regulation | $V_I = 4.2\text{ to }20\text{ V}$, $I_O = 0.5\text{ mA}$ | | 3 | 15 | mV |
| ΔV_O | Load regulation ⁽¹⁾ | $V_I = 4.4\text{ V}$, $I_O = 0.5\text{ to }250\text{ mA}$ | | 3 | 15 | mV |
| I_d | Quiescent current ON mode | $V_I = 4.4\text{ to }20\text{ V}$, $I_O = 0\text{ mA}$ | | 0.6 | 1 | mA |
| | | $V_I = 4.4\text{ to }20\text{ V}$, $I_O = 250\text{ mA}$ | | 4 | 6 | |
| | OFF mode | $V_I = 6\text{ V}$ | | 50 | 100 | μA |
| SVR | Supply voltage rejection | $I_O = 5\text{ mA}$ $V_I = 5.4 \pm 1\text{ V}$ | | 73 | | dB |
| | | | | 70 | | |
| | | | | 55 | | |
| eN | Output noise voltage | B = 10 Hz to 100 kHz | | 50 | | μV |
| V_d | Dropout voltage ⁽¹⁾ | $I_O = 250\text{ mA}$ | | 0.4 | 0.6 | V |
| | | $I_O = 250\text{ mA}$, $T_A = -40\text{ to }125\text{ °C}$ | | | 0.8 | V |
| V_{IL} | Control input logic low | $T_A = -40\text{ to }125\text{ °C}$ | | | 0.8 | V |
| V_{IH} | Control input logic high | $T_A = -40\text{ to }125\text{ °C}$ | 2 | | | V |
| I_I | Control input current | $V_I = 6\text{ V}$, $V_C = 6\text{ V}$ | | 10 | | μA |
| C_O | Output bypass capacitance | ESR = 0.1 to 10 Ω , $I_O = 0\text{ to }250\text{ mA}$ | 2 | 10 | | μF |

Notes:⁽¹⁾For SO-8 package the maximum limit of load regulation and dropout should be increased by 20 mV.

(Refer to the test circuits, $T_A = 25\text{ °C}$, $C_I = 0.1\text{ }\mu\text{F}$, $C_O = 2.2\text{ }\mu\text{F}$ unless otherwise specified).

Table 7: L4931Cxx35 electrical characteristics

| Symbol | Parameter | Test conditions | Min. | Typ. | Max. | Unit | |
|--------------|--------------------------------|--|---------------------|------|------|---------------|----|
| V_O | Output voltage | $I_O = 5\text{ mA}$, $V_I = 5.5\text{ V}$ | 3.43 | 3.5 | 3.57 | V | |
| | | $I_O = 5\text{ mA}$, $V_I = 5.5\text{ V}$ $T_A = -25\text{ to }85\text{ °C}$ | 3.36 | | 3.64 | | |
| V_I | Operating input voltage | $I_O = 250\text{ mA}$ | | | 20 | V | |
| I_{out} | Output current limit | | | 300 | | mA | |
| ΔV_O | Line regulation | $V_I = 4.3\text{ to }20\text{ V}$, $I_O = 0.5\text{ mA}$ | | 3 | 18 | mV | |
| ΔV_O | Load regulation ⁽¹⁾ | $V_I = 4.5\text{ V}$, $I_O = 0.5\text{ to }250\text{ mA}$ | | 3 | 18 | mV | |
| I_d | Quiescent current ON mode | $V_I = 4.5\text{ to }20\text{ V}$, $I_O = 0\text{ mA}$ | | 0.6 | 1 | mA | |
| | | $V_I = 4.5\text{ to }20\text{ V}$, $I_O = 250\text{ mA}$ | | 4 | 6 | | |
| | OFF mode | $V_I = 6\text{ V}$ | | 50 | 100 | μA | |
| SVR | Supply voltage rejection | $I_O = 5\text{ mA}$ $V_I = 5.5 \pm 1\text{ V}$ | $f = 120\text{ Hz}$ | | 73 | | dB |
| | | | $f = 1\text{ kHz}$ | | 70 | | |
| | | | $f = 10\text{ kHz}$ | | 55 | | |
| eN | Output noise voltage | $B = 10\text{ Hz to }100\text{ kHz}$ | | 50 | | μV | |
| V_d | Dropout voltage ⁽¹⁾ | $I_O = 250\text{ mA}$ | | 0.4 | 0.6 | V | |
| | | $I_O = 250\text{ mA}$, $T_A = -40\text{ to }125\text{ °C}$ | | | 0.8 | V | |
| V_{IL} | Control input logic low | $T_A = -40\text{ to }125\text{ °C}$ | | | 0.8 | V | |
| V_{IH} | Control input logic high | $T_A = -40\text{ to }125\text{ °C}$ | 2 | | | V | |
| I_i | Control input current | $V_I = 6\text{ V}$, $V_C = 6\text{ V}$ | | 10 | | μA | |
| C_O | Output bypass capacitance | ESR = 0.1 to 10 Ω , $I_O = 0\text{ to }250\text{ mA}$ | 2 | 10 | | μF | |

Notes:⁽¹⁾For SO-8 package the maximum limit of load regulation and dropout should be increased by 20 mV.

(Refer to the test circuits, $T_A = 25\text{ °C}$, $C_I = 0.1\text{ }\mu\text{F}$, $C_O = 2.2\text{ }\mu\text{F}$ unless otherwise specified).

Table 8: L4931ABxx50 electrical characteristics

| Symbol | Parameter | Test conditions | Min. | Typ. | Max. | Unit |
|--------------|--------------------------------|--|---------------------|------|------|---------------|
| V_O | Output voltage | $I_O = 5\text{ mA}$, $V_I = 7\text{ V}$ | 4.95 | 5 | 5.05 | V |
| | | $I_O = 5\text{ mA}$, $V_I = 7\text{ V}$, $T_A = -25\text{ to }85\text{ °C}$ | 4.9 | | 5.1 | |
| V_I | Operating input voltage | $I_O = 250\text{ mA}$ | | | 20 | V |
| I_{out} | Output current limit | | | 300 | | mA |
| ΔV_O | Line regulation | $V_I = 5.8\text{ to }20\text{ V}$, $I_O = 0.5\text{ mA}$ | | 3.5 | 17.5 | mV |
| ΔV_O | Load regulation ⁽¹⁾ | $V_I = 6\text{ V}$, $I_O = 0.5\text{ to }250\text{ mA}$ | | 3 | 15 | mV |
| I_d | Quiescent current ON mode | $V_I = 6\text{ to }20\text{ V}$, $I_O = 0\text{ mA}$ | | 0.6 | 1 | mA |
| | | $V_I = 6\text{ to }20\text{ V}$, $I_O = 250\text{ mA}$ | | 4 | 6 | |
| | OFF mode | $V_I = 6\text{ V}$ | | 50 | 100 | μA |
| SVR | Supply voltage rejection | $I_O = 5\text{ mA}$ $V_I = 7 \pm 1\text{ V}$ | $f = 120\text{ Hz}$ | 70 | | dB |
| | | | $f = 1\text{ kHz}$ | 67 | | |
| | | | $f = 10\text{ kHz}$ | 55 | | |
| eN | Output noise voltage | $B = 10\text{ Hz to }100\text{ kHz}$ | | 50 | | μV |
| V_d | Dropout voltage ⁽¹⁾ | $I_O = 250\text{ mA}$ | | 0.4 | 0.6 | V |
| | | $I_O = 250\text{ mA}$, $T_A = -40\text{ to }125\text{ °C}$ | | | 0.8 | V |
| V_{IL} | Control input logic low | $T_A = -40\text{ to }125\text{ °C}$ | | | 0.8 | V |
| V_{IH} | Control input logic high | $T_A = -40\text{ to }125\text{ °C}$ | 2 | | | V |
| I_i | Control input current | $V_I = 6\text{ V}$, $V_C = 6\text{ V}$ | | 10 | | μA |
| C_O | Output bypass capacitance | ESR = 0.1 to 10 Ω , $I_O = 0\text{ to }250\text{ mA}$ | 2 | 10 | | μF |

Notes:⁽¹⁾For SO-8 package the maximum limit of load regulation and dropout should be increased by 20 mV.

(Refer to the test circuits, $T_A = 25\text{ °C}$, $C_I = 0.1\text{ }\mu\text{F}$, $C_O = 2.2\text{ }\mu\text{F}$ unless otherwise specified).

Table 9: L4931Cxx50 electrical characteristics

| Symbol | Parameter | Test conditions | Min. | Typ. | Max. | Unit |
|--------------|--------------------------------|--|------|------|------|---------------|
| V_O | Output voltage | $I_O = 5\text{ mA}$, $V_I = 7\text{ V}$ | 4.9 | 5 | 5.1 | V |
| | | $I_O = 5\text{ mA}$, $V_I = 7\text{ V}$, $T_A = -25\text{ to }85\text{ °C}$ | 4.8 | | 5.2 | |
| V_I | Operating input voltage | $I_O = 250\text{ mA}$ | | | 20 | V |
| I_{out} | Output current limit | | | 300 | | mA |
| ΔV_O | Line regulation | $V_I = 5.8\text{ to }20\text{ V}$, $I_O = 0.5\text{ mA}$ | | 3.5 | 17.5 | mV |
| ΔV_O | Load regulation ⁽¹⁾ | $V_I = 6\text{ V}$, $I_O = 0.5\text{ to }250\text{ mA}$ | | 3 | 15 | mV |
| I_d | Quiescent current ON mode | $V_I = 6\text{ to }20\text{ V}$, $I_O = 0\text{ mA}$ | | 0.6 | 1 | mA |
| | | $V_I = 6\text{ to }20\text{ V}$, $I_O = 250\text{ mA}$ | | 4 | 6 | |
| | OFF mode | $V_I = 6\text{ V}$ | | 50 | 100 | μA |
| SVR | Supply voltage rejection | $I_O = 5\text{ mA}$ $V_I = 7 \pm 1\text{ V}$ | | 70 | | dB |
| | | | | 67 | | |
| | | | | 55 | | |
| eN | Output noise voltage | $B = 10\text{ Hz to }100\text{ kHz}$ | | 50 | | μV |
| V_d | Dropout voltage ⁽¹⁾ | $I_O = 250\text{ mA}$ | | 0.4 | 0.6 | V |
| | | $I_O = 250\text{ mA}$, $T_A = -40\text{ to }125\text{ °C}$ | | | 0.8 | V |
| V_{IL} | Control input logic low | $T_A = -40\text{ to }125\text{ °C}$ | | | 0.8 | V |
| V_{IH} | Control input logic high | $T_A = -40\text{ to }125\text{ °C}$ | 2 | | | V |
| I_I | Control input current | $V_I = 6\text{ V}$, $V_C = 6\text{ V}$ | | 10 | | μA |
| C_O | Output bypass capacitance | ESR = 0.1 to 10 Ω , $I_O = 0\text{ to }250\text{ mA}$ | 2 | 10 | | μF |

Notes:

⁽¹⁾For SO-8 package the maximum limit of load regulation and dropout should be increased by 20 mV.

(Refer to the test circuits, $T_A = 25\text{ °C}$, $C_I = 0.1\text{ }\mu\text{F}$, $C_O = 2.2\text{ }\mu\text{F}$ unless otherwise specified).

Table 10: L4931ABxx120 electrical characteristics

| Symbol | Parameter | Test conditions | Min. | Typ. | Max. | Unit |
|--------------|--------------------------------|---|---------------------|------|-------|---------------|
| V_O | Output voltage | $I_O = 5\text{ mA}$, $V_I = 14\text{ V}$ | 11.88 | 12 | 12.12 | V |
| | | $I_O = 5\text{ mA}$, $V_I = 14\text{ V}$, $T_A = -25\text{ to }85\text{ °C}$ | 11.76 | | 12.24 | |
| V_I | Operating input voltage | $I_O = 250\text{ mA}$ | | | 20 | V |
| I_{out} | Output current limit | | | 300 | | mA |
| ΔV_O | Line regulation | $V_I = 12.8\text{ to }20\text{ V}$, $I_O = 0.5\text{ mA}$ | | 4 | 20 | mV |
| ΔV_O | Load regulation ⁽¹⁾ | $V_I = 13\text{ V}$, $I_O = 0.5\text{ to }250\text{ mA}$ | | 3 | 15 | mV |
| I_d | Quiescent current ON mode | $V_I = 13\text{ to }20\text{ V}$, $I_O = 0\text{ mA}$ | | 0.8 | 1.6 | mA |
| | | $V_I = 13\text{ to }20\text{ V}$, $I_O = 250\text{ mA}$ | | 4.5 | 7 | |
| | OFF mode | $V_I = 6\text{ V}$ | | 90 | 180 | μA |
| SVR | Supply voltage rejection | $I_O = 5\text{ mA}$ $V_I = 14 \pm 1\text{ V}$ | $f = 120\text{ Hz}$ | 64 | | dB |
| | | | $f = 1\text{ kHz}$ | 61 | | |
| | | | $f = 10\text{ kHz}$ | 55 | | |
| eN | Output noise voltage | $B = 10\text{ Hz to }100\text{ kHz}$ | | 50 | | μV |
| V_d | Dropout voltage ⁽¹⁾ | $I_O = 250\text{ mA}$ | | 0.4 | 0.6 | V |
| | | $I_O = 250\text{ mA}$, $T_A = -40\text{ to }125\text{ °C}$ | | | 0.8 | V |
| V_{IL} | Control input logic low | $T_A = -40\text{ to }125\text{ °C}$ | | | 0.8 | V |
| V_{IH} | Control input logic high | $T_A = -40\text{ to }125\text{ °C}$ | 2 | | | V |
| I_I | Control input current | $V_I = 6\text{ V}$, $V_C = 6\text{ V}$ | | 10 | | μA |
| C_O | Output bypass capacitance | ESR = $0.1\text{ to }10\text{ }\Omega$, $I_O = 0\text{ to }250\text{ mA}$ | 2 | 10 | | μF |

Notes:⁽¹⁾For SO-8 package the maximum limit of load regulation and dropout should be increased by 20 mV.

(Refer to the test circuits, $T_A = 25\text{ °C}$, $C_I = 0.1\text{ }\mu\text{F}$, $C_O = 2.2\text{ }\mu\text{F}$ unless otherwise specified).

Table 11: L4931Cxx120 electrical characteristics

| Symbol | Parameter | Test conditions | Min. | Typ. | Max. | Unit |
|--------------|--------------------------------|---|---------------------|------|-------|---------------|
| V_O | Output voltage | $I_O = 5\text{ mA}$, $V_I = 14\text{ V}$ | 11.76 | 12 | 12.24 | V |
| | | $I_O = 5\text{ mA}$, $V_I = 14\text{ V}$, $T_A = -25\text{ to }85\text{ °C}$ | 11.52 | | 12.48 | |
| V_I | Operating input voltage | $I_O = 250\text{ mA}$ | | | 20 | V |
| I_{out} | Output current limit | | | 300 | | mA |
| ΔV_O | Line regulation | $V_I = 12.9\text{ to }20\text{ V}$, $I_O = 0.5\text{ mA}$ | | 4 | 24 | mV |
| ΔV_O | Load regulation ⁽¹⁾ | $V_I = 13.1\text{ V}$, $I_O = 0.5\text{ to }250\text{ mA}$ | | 3 | 18 | mV |
| I_d | Quiescent current ON mode | $V_I = 13.1\text{ to }20\text{ V}$, $I_O = 0\text{ mA}$ | | 0.8 | 1.6 | mA |
| | | $V_I = 13.1\text{ to }20\text{ V}$, $I_O = 250\text{ mA}$ | | 4.5 | 7 | |
| | OFF mode | $V_I = 6\text{ V}$ | | 90 | 180 | μA |
| SVR | Supply voltage rejection | $I_O = 5\text{ mA}$ $V_I = 14.1 \pm 1\text{ V}$ | $f = 120\text{ Hz}$ | 64 | | dB |
| | | | $f = 1\text{ kHz}$ | 61 | | |
| | | | $f = 10\text{ kHz}$ | 55 | | |
| eN | Output noise voltage | $B = 10\text{ Hz to }100\text{ kHz}$ | | 50 | | μV |
| V_d | Dropout voltage ⁽¹⁾ | $I_O = 250\text{ mA}$ | | 0.4 | 0.6 | V |
| | | $I_O = 250\text{ mA}$, $T_A = -40\text{ to }125\text{ °C}$ | | | 0.8 | V |
| V_{IL} | Control input logic low | $T_A = -40\text{ to }125\text{ °C}$ | | | 0.8 | V |
| V_{IH} | Control input logic high | $T_A = -40\text{ to }125\text{ °C}$ | 2 | | | V |
| I_i | Control input current | $V_I = 6\text{ V}$, $V_C = 6\text{ V}$ | | 10 | | μA |
| C_O | Output bypass capacitance | ESR = $0.1\text{ to }10\text{ }\Omega$, $I_O = 0\text{ to }250\text{ mA}$ | 2 | 10 | | μF |

Notes:⁽¹⁾For SO-8 package the maximum limit of load regulation and dropout should be increased by 20 mV.

6 Typical application

Figure 4: Line regulation vs temperature

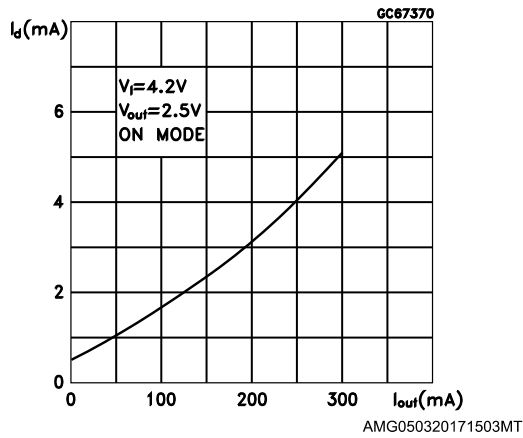


Figure 5: Dropout voltage vs temperature

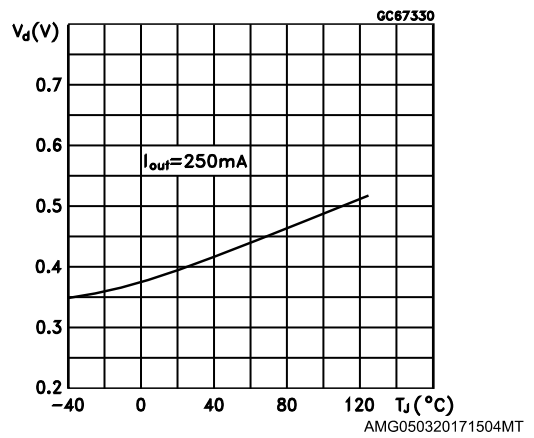


Figure 6: Supply current vs input voltage

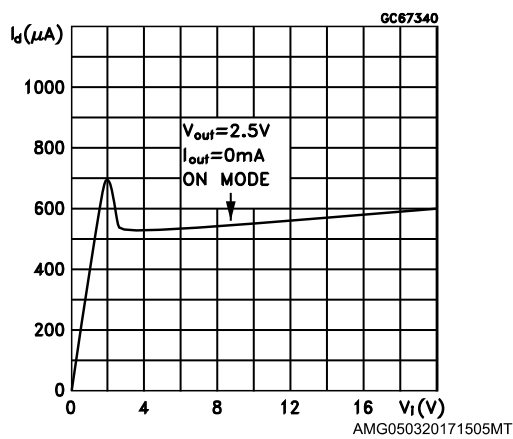


Figure 7: Supply current vs temperature

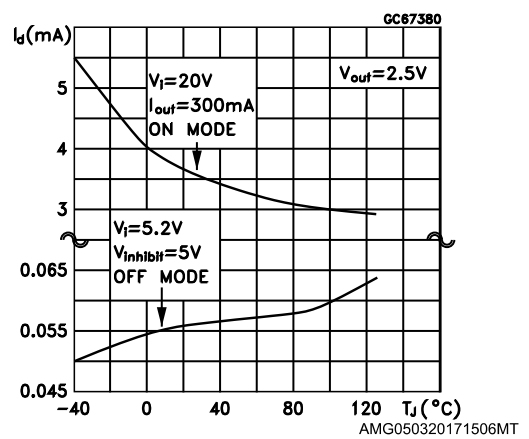


Figure 8: Short-circuit current vs dropout voltage

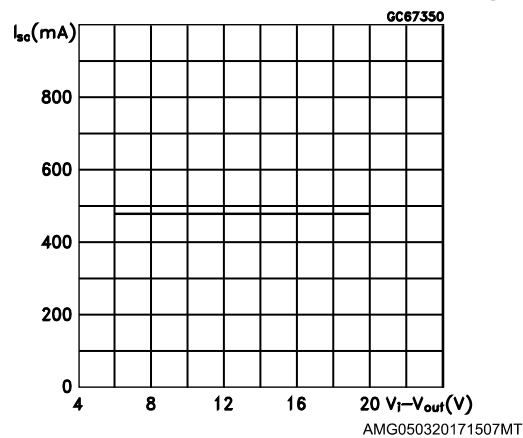
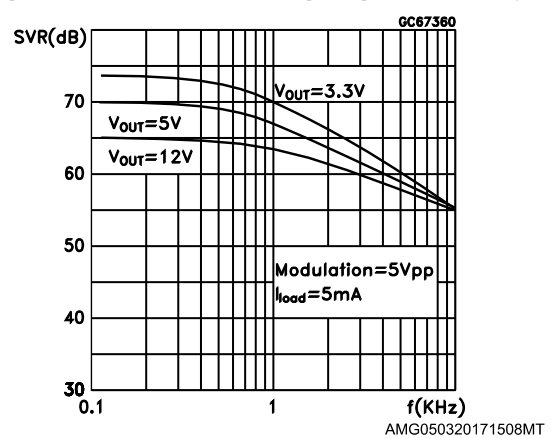


Figure 9: SVR vs input voltage signal frequency

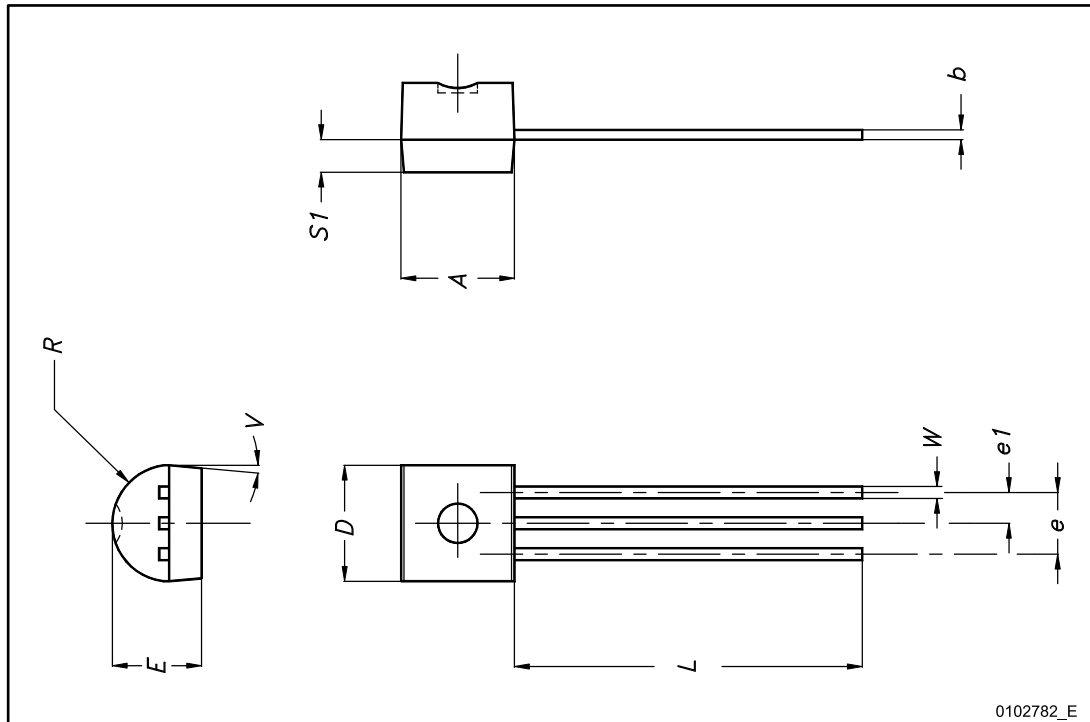


7 Package information

In order to meet environmental requirements, ST offers these devices in different grades of ECOPACK® packages, depending on their level of environmental compliance. ECOPACK® specifications, grade definitions and product status are available at: www.st.com. ECOPACK® is an ST trademark.

7.1 TO-92 package information

Figure 10: TO-92 package outline



0102782_E

Table 12: TO-92 mechanical data

| Dim. | mm | | |
|------|-------|------|-------|
| | Min. | Typ. | Max. |
| A | 4.32 | | 4.95 |
| b | 0.36 | | 0.51 |
| D | 4.45 | | 4.95 |
| E | 3.30 | | 3.94 |
| e | 2.41 | | 2.67 |
| e1 | 1.14 | | 1.40 |
| L | 12.70 | | 15.49 |
| R | 2.16 | | 2.41 |
| S1 | 0.92 | | 1.52 |
| W | 0.41 | | 0.56 |
| V | | 5° | |

7.2 TO-92 Ammopak packing information

Figure 11: TO-92 Ammopak tape and reel outline

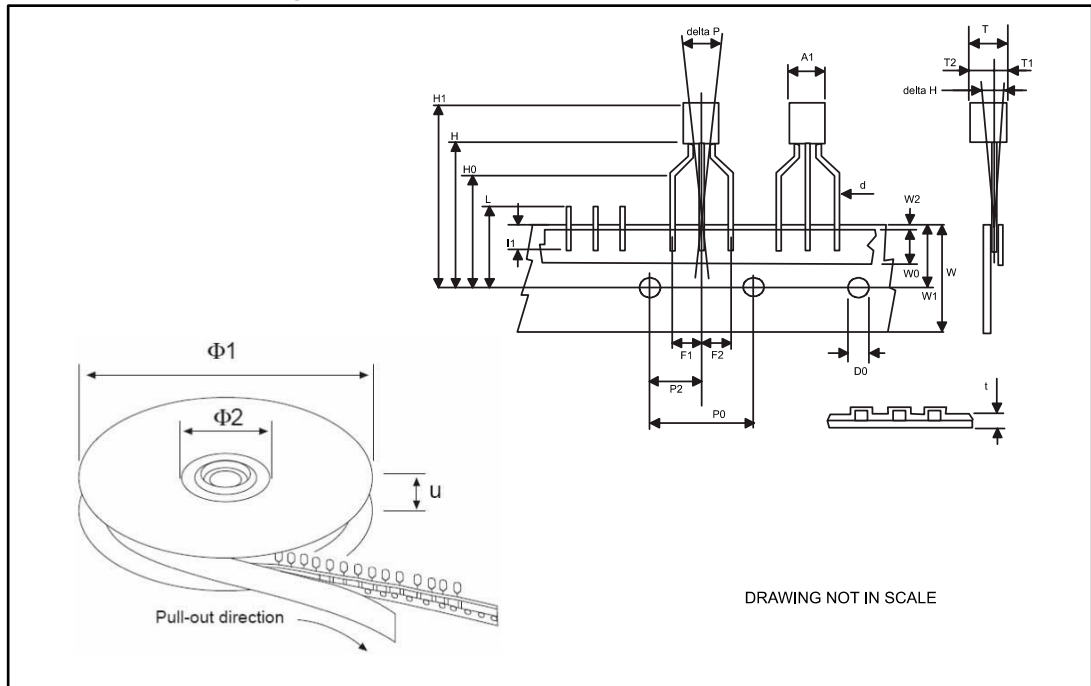
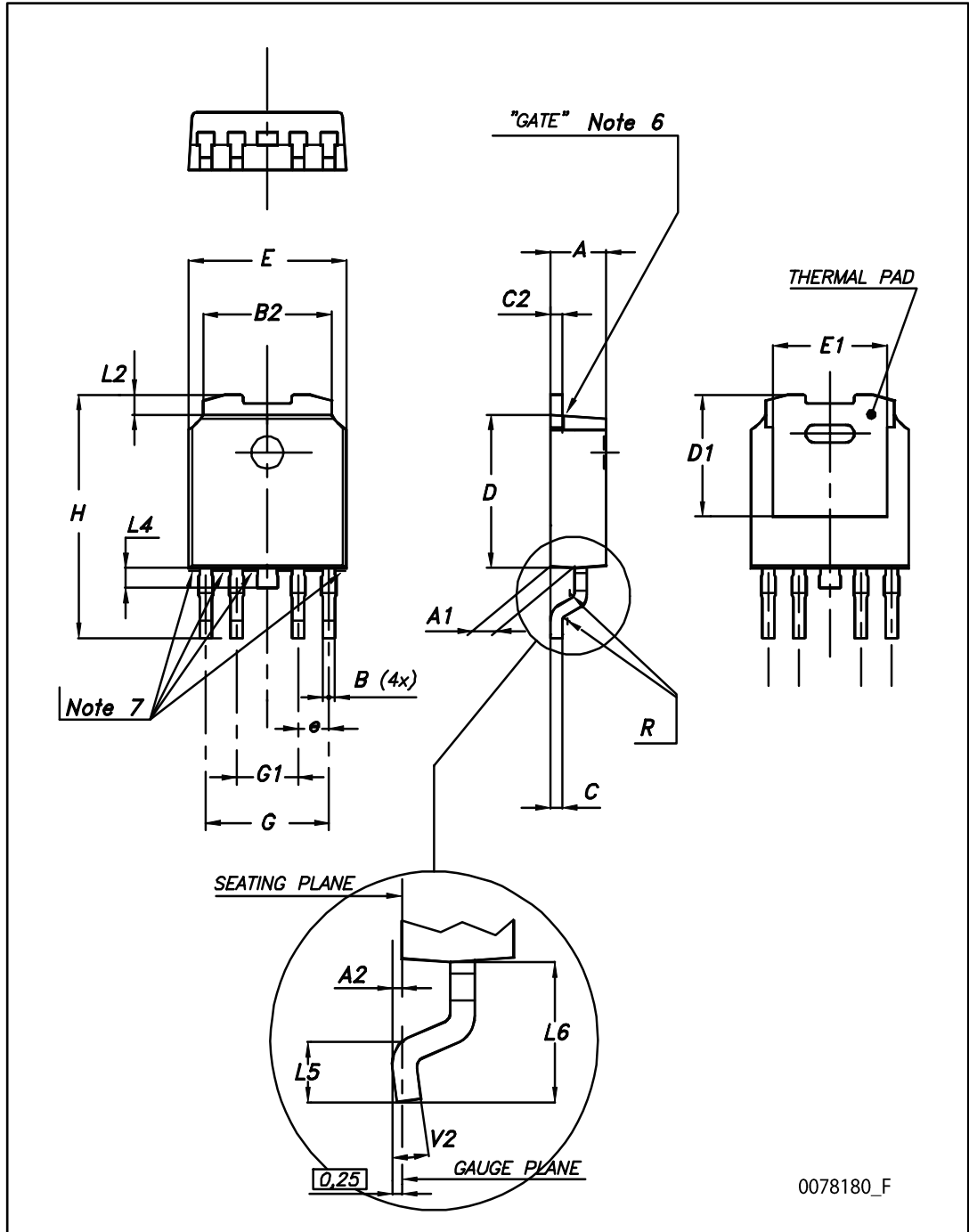


Table 13: TO-92 Ammopak tape and reel mechanical data

| Dim. | mm | | |
|---------|-------|-------|-------|
| | Min. | Typ. | Max. |
| A1 | | | 4.80 |
| T | | | 3.80 |
| T1 | | | 1.60 |
| T2 | | | 2.30 |
| d | 0.45 | 0.47 | 0.48 |
| P0 | 12.50 | 12.70 | 12.90 |
| P2 | 5.65 | 6.35 | 7.05 |
| F1, F2 | 2.40 | 2.50 | 2.94 |
| F3 | 4.98 | 5.08 | 5.48 |
| delta H | -2.00 | | 2.00 |
| W | 17.50 | 18.00 | 19.00 |
| W0 | 5.5 | 6.00 | 6.5 |
| W1 | 8.50 | 9.00 | 9.25 |
| W2 | | | 0.50 |
| H | | 18.50 | 21 |
| H3 | 0.5 | 1 | 2 |
| H0 | 15.50 | 16.00 | 18.8 |
| H1 | | 25.0 | 27.0 |
| D0 | 3.80 | 4.00 | 4.20 |
| t | | | 0.90 |
| L | | | 11.00 |
| I1 | 3.00 | | |
| delta P | -1.00 | | 1.00 |

7.3 PPAK package information

Figure 12: PPAK package outline



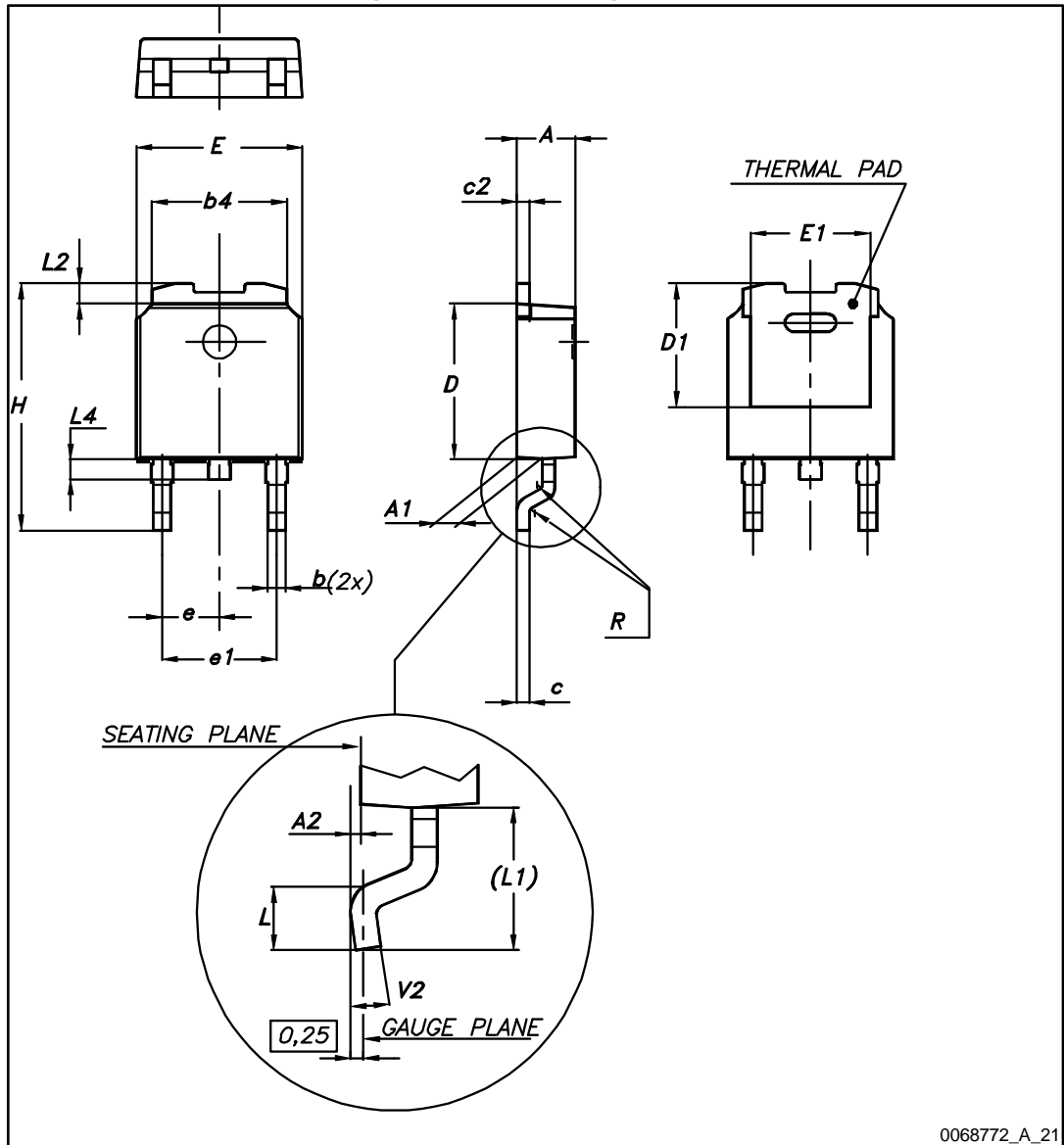
0078180_F

Table 14: PPAK mechanical data

| Dim. | mm | | |
|------|------|------|------|
| | Min. | Typ. | Max. |
| A | 2.2 | | 2.4 |
| A1 | 0.9 | | 1.1 |
| A2 | 0.03 | | 0.23 |
| B | 0.4 | | 0.6 |
| B2 | 5.2 | | 5.4 |
| C | 0.45 | | 0.6 |
| C2 | 0.48 | | 0.6 |
| D | 6 | | 6.2 |
| D1 | | 5.1 | |
| E | 6.4 | | 6.6 |
| E1 | | 4.7 | |
| e | | 1.27 | |
| G | 4.9 | | 5.25 |
| G1 | 2.38 | | 2.7 |
| H | 9.35 | | 10.1 |
| L2 | | 0.8 | 1 |
| L4 | 0.6 | | 1 |
| L5 | 1 | | |
| L6 | | 2.8 | |
| R | | 0.20 | |
| V2 | 0° | | 8° |

7.4 DPAK package information

Figure 13: DPAK package outline

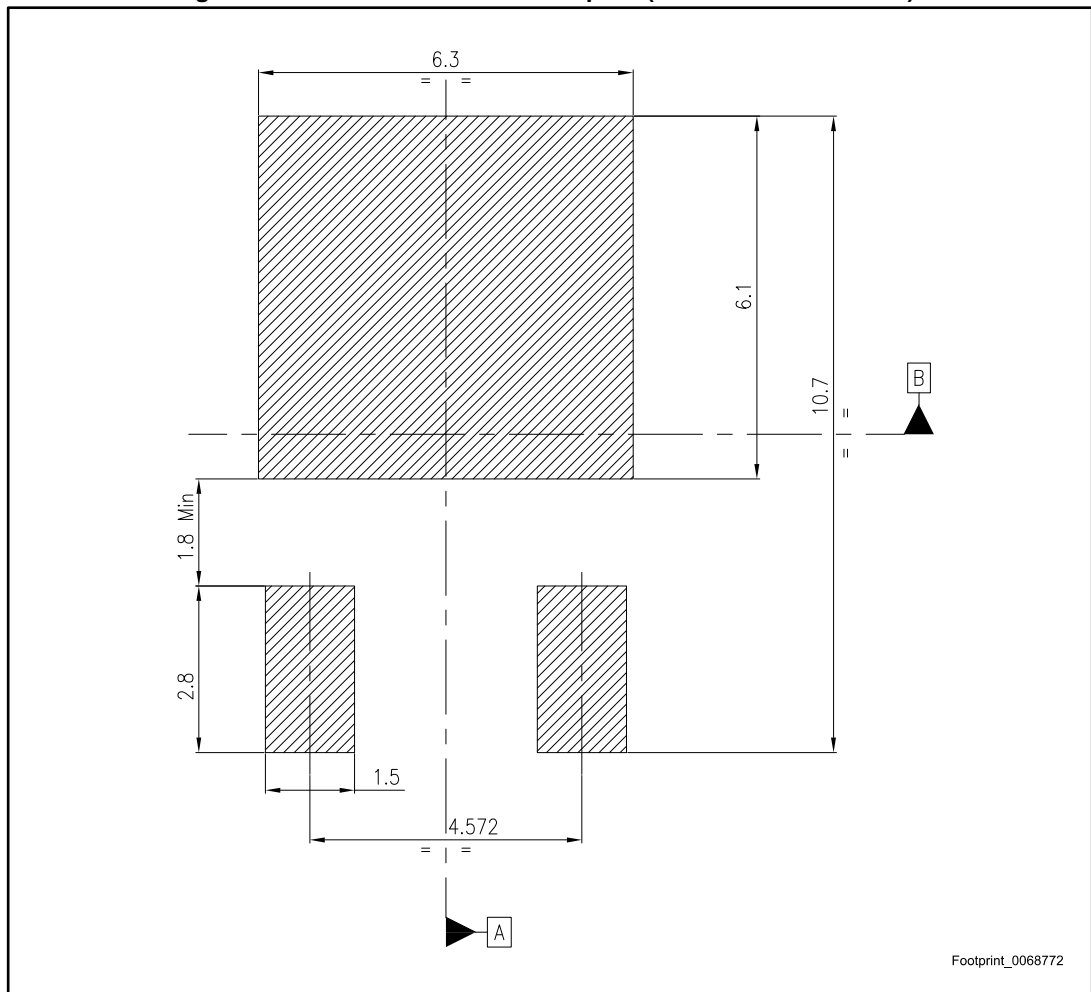


0068772_A_21

Table 15: DPAK mechanical data

| Dim. | mm | | |
|------|------|------|-------|
| | Min. | Typ. | Max. |
| A | 2.20 | | 2.40 |
| A1 | 0.90 | | 1.10 |
| A2 | 0.03 | | 0.23 |
| b | 0.64 | | 0.90 |
| b4 | 5.20 | | 5.40 |
| c | 0.45 | | 0.60 |
| c2 | 0.48 | | 0.60 |
| D | 6.00 | | 6.20 |
| D1 | | 5.10 | |
| E | 6.40 | | 6.60 |
| E1 | | 4.70 | |
| e | | 2.28 | |
| e1 | 4.40 | | 4.60 |
| H | 9.35 | | 10.10 |
| L | 1.00 | | 1.50 |
| (L1) | | 2.80 | |
| L2 | | 0.80 | |
| L4 | 0.60 | | 1.00 |
| R | | 0.20 | |
| V2 | 0° | | 8° |

Figure 14: DPAK recommended footprint (dimensions are in mm)



7.5 PPAK and DPAK paking information

Figure 15: PPAK and DPAK tape

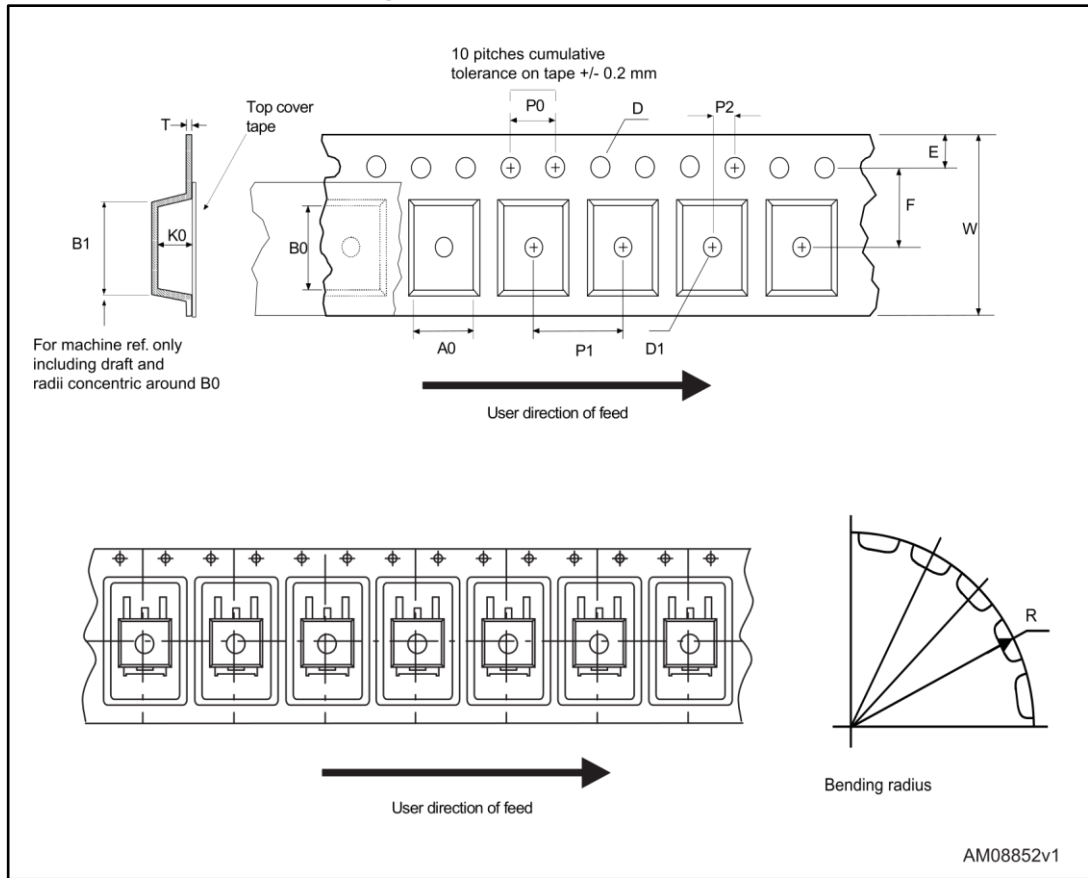


Figure 16: PPAK and DPAK reel



Table 16: PPAK and DPAK tape and reel mechanical data

| Tape | | | Reel | | |
|------|------|------|-----------|------|------|
| Dim. | mm | | Dim. | mm | |
| | Min. | Max. | | Min. | Max. |
| A0 | 6.8 | 7 | A | | 330 |
| B0 | 10.4 | 10.6 | B | 1.5 | |
| B1 | | 12.1 | C | 12.8 | 13.2 |
| D | 1.5 | 1.6 | D | 20.2 | |
| D1 | 1.5 | | G | 16.4 | 18.4 |
| E | 1.65 | 1.85 | N | 50 | |
| F | 7.4 | 7.6 | T | | 22.4 |
| K0 | 2.55 | 2.75 | | | |
| P0 | 3.9 | 4.1 | Base qty. | | 2500 |
| P1 | 7.9 | 8.1 | Bulk qty. | | 2500 |
| P2 | 1.9 | 2.1 | | | |
| R | 40 | | | | |
| T | 0.25 | 0.35 | | | |
| W | 15.7 | 16.3 | | | |

7.6 SO-8 package information

Figure 17: SO-8 package outline

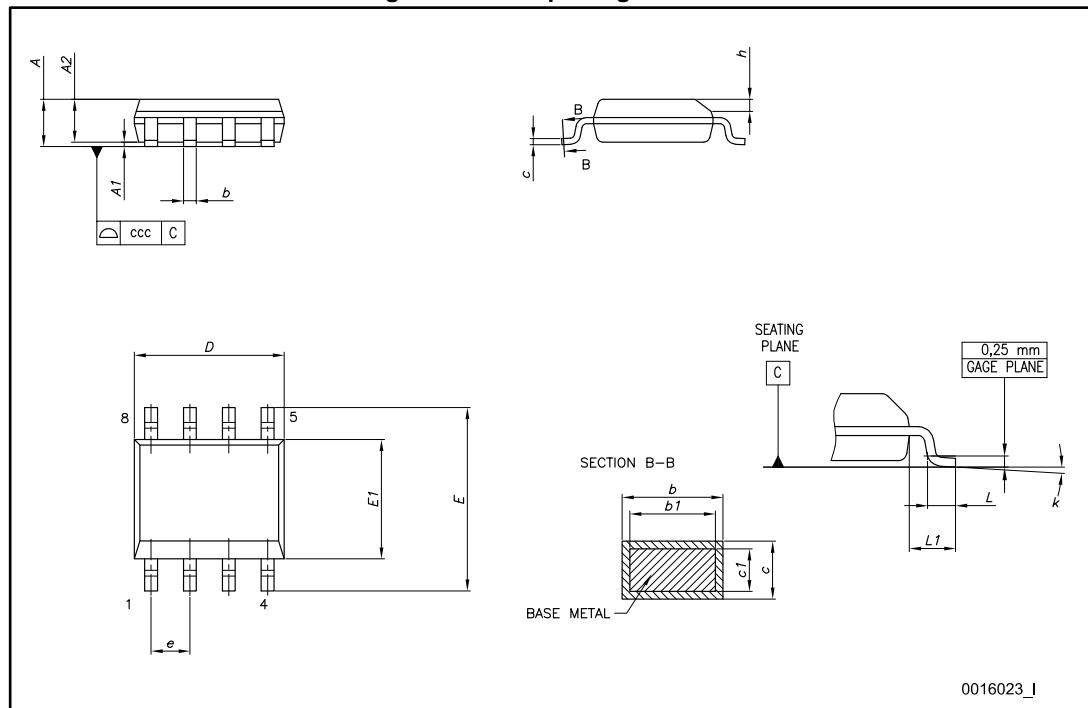
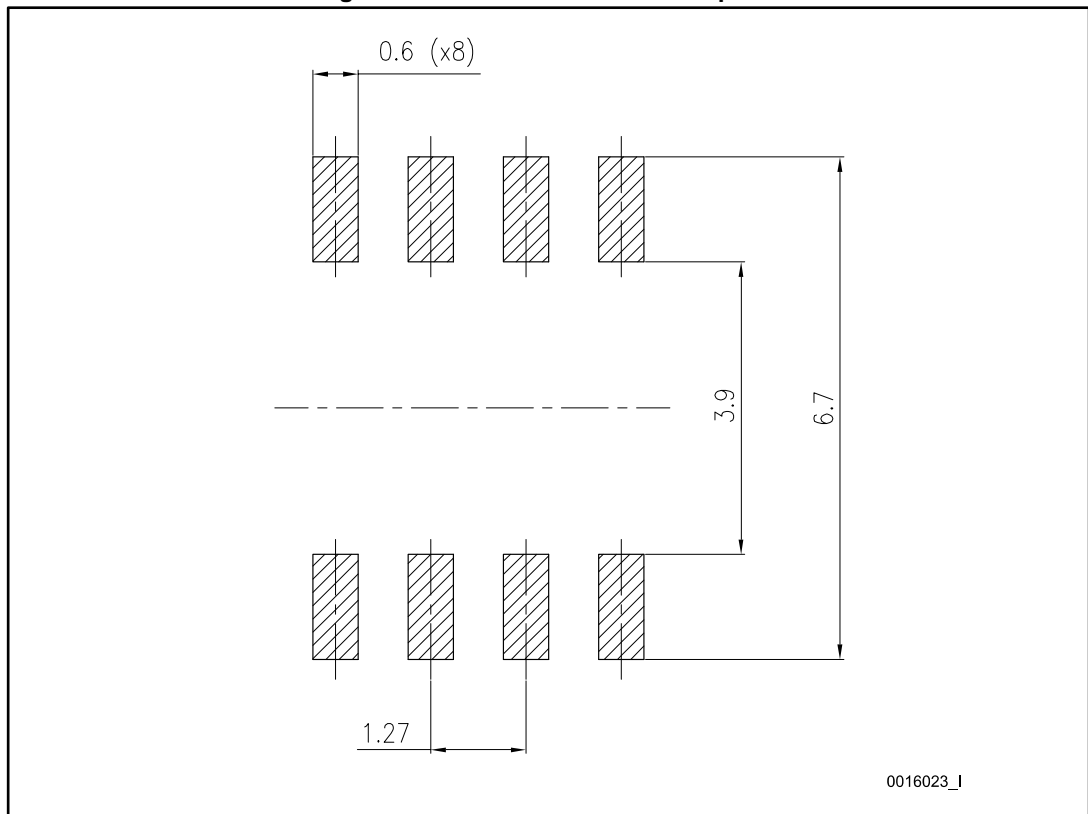


Table 17: SO-8 mechanical data

| Dim. | mm | | |
|------|------|------|------|
| | Min. | Typ. | Max. |
| A | | | 1.75 |
| A1 | 0.10 | | 0.25 |
| A2 | 1.25 | | |
| b | 0.28 | | 0.48 |
| c | 0.17 | | 0.23 |
| D | 4.80 | 4.90 | 5.00 |
| E | 5.80 | 6.00 | 6.20 |
| E1 | 3.80 | 3.90 | 4.00 |
| e | | 1.27 | |
| h | 0.25 | | 0.50 |
| L | 0.40 | | 1.27 |
| L1 | | 1.04 | |
| k | 0° | | 8° |
| ccc | | | 0.10 |

Figure 18: SO-8 recommended footprint



7.7 SO-8 packing information

Figure 19: SO8-batwing tape and reel outline

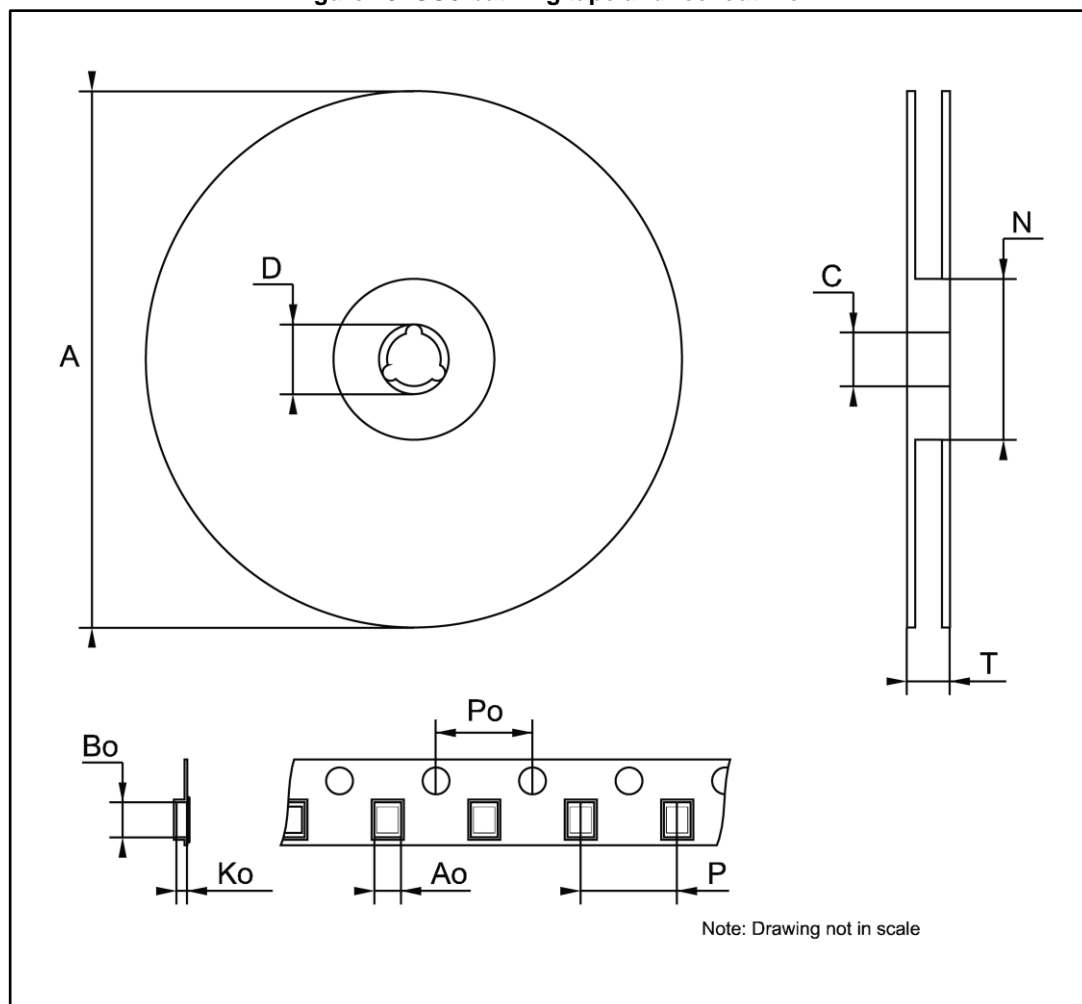


Table 18: SO8-batwing mechanical data

| Dim. | mm | | |
|------|------|------|------|
| | Min. | Typ. | Max. |
| A | | | 330 |
| C | 12.8 | | 13.2 |
| D | 20.2 | | |
| N | 60 | | |
| T | | | 22.4 |
| A0 | 8.1 | | 8.5 |
| B0 | 5.5 | | 5.9 |
| K0 | 2.1 | | 2.3 |
| P0 | 3.9 | | 4.1 |
| P | 7.9 | | 8.1 |

8 Ordering information

Table 19: Order codes

| Package | | | | | Output voltage |
|--------------|---------------|----------------|---------------|------------------------------|----------------|
| TO-92 | PPAK | DPAK | SO-8 | SO-8 (automotive-grade) | |
| | | | L4931CD27-TR | L4931CD27-TRY ⁽¹⁾ | 2.7 V |
| L4931CZ33-AP | | L4931CDT33-TR | L4931CD33-TR | L4931CD33-TRY ⁽¹⁾ | 3.3 V |
| | | L4931ABDT33-TR | L4931ABD33-TR | | 3.3 V |
| | | | L4931CD35-TR | | 3.5 V |
| | | L4931ABDT35TR | L4931ABD35-TR | | 3.5 V |
| L4931CZ50-AP | L4931CPT50-TR | L4931CDT50-TR | L4931CD50-TR | | 5 V |
| | | L4931ABDT50-TR | L4931ABD50-TR | | 5 V |
| | | | L4931CD80-TR | | 8 V |
| | | L4931ABDT80-TR | | | 8 V |
| | | | L4931CD120-TR | | 12 V |
| | | | L4931ABD120TR | | 12 V |

Notes:

⁽¹⁾Qualified and characterized according to AEC Q100 and Q003 or equivalent, advanced screening according to AEC Q001 and Q002 or equivalent.

9 Revision history

Table 20: Document revision history

| Date | Revision | Changes |
|-------------|----------|---|
| 21-Jun-2004 | 11 | Document updating. |
| 14-Jun-2006 | 12 | Order codes updated. |
| 31-Jan-2008 | 13 | Added: Table 1 and new order codes for Automotive grade products. |
| 20-Feb-2008 | 14 | Modified: Table 23 on page 36. |
| 11-Mar-2008 | 15 | Modified: Table 1 on page 1 and Table 23 on page 36. |
| 15-Jul-2008 | 16 | Modified: Table 1 on page 1 and Table 23 on page 36. |
| 18-Aug-2008 | 17 | Modified: Table 23 on page 36. |
| 30-Oct-2013 | 18 | <p>Changed the L4931ABxx and L4931Cxx to L4931.</p> <p>Updated: Description in cover page.</p> <p>Deleted table1: Device summary.</p> <p>Updated Figure 2: Pin connections (top view), Table 2: Thermal data, Section 5: Electrical characteristics and Section 7: Package mechanical data.</p> <p>Added Section 8: Packaging mechanical data.</p> <p>Minor text changes.</p> |
| 02-Aug-2017 | 19 | <p>Updated features in cover page.</p> <p>Deleted table 3: L4931Cxx27 electrical characteristics, table 4: L4931Cxx27-TRY (automotive-grade) electrical characteristics, table 12:L4931ABxx80 electrical characteristics, table 13: L4931Cxx80 electrical characteristics.</p> <p>Updated Table 19: "Order codes".</p> <p>Minor text changes.</p> |

IMPORTANT NOTICE – PLEASE READ CAREFULLY

STMicroelectronics NV and its subsidiaries ("ST") reserve the right to make changes, corrections, enhancements, modifications, and improvements to ST products and/or to this document at any time without notice. Purchasers should obtain the latest relevant information on ST products before placing orders. ST products are sold pursuant to ST's terms and conditions of sale in place at the time of order acknowledgement.

Purchasers are solely responsible for the choice, selection, and use of ST products and ST assumes no liability for application assistance or the design of Purchasers' products.

No license, express or implied, to any intellectual property right is granted by ST herein.

Resale of ST products with provisions different from the information set forth herein shall void any warranty granted by ST for such product.

ST and the ST logo are trademarks of ST. All other product or service names are the property of their respective owners.

Information in this document supersedes and replaces information previously supplied in any prior versions of this document.

© 2017 STMicroelectronics – All rights reserved