

SERIES 800 SWITCHES

PUSHBUTTON SWITCHES - SUB-MINIATURE

TACT SWITCHES

NAVIGATION SWITCHES

PUSHBUTTON SWITCHES

TOGGLE SWITCHES

ROCKER SWITCHES

SLIDE SWITCHES

SNAP-ACTION SWITCHES

DIP SWITCHES

KEYLOCK SWITCHES

ROTARY SWITCHES

DETECTOR SWITCHES

CAP OPTIONS



FEATURES & BENEFITS

- ▶ Subminiature design
- ▶ Butt contact design
- ▶ Snap-in panel mount option

APPLICATIONS/MARKETS

- ▶ Telecommunications
- ▶ Networking
- ▶ Computers/servers
- ▶ Performance audio
- ▶ Instrumentation
- ▶ Low power on/off designs
- ▶ External hard drives and modems

SPECIFICATIONS

Contact Rating:	1A @ 250 VAC 3A @ 120 VAC or 28 VDC
Life Expectancy:	50,000 cycles typical
Contact Resistance:	10mΩ max. typical @ 2-4 VDC 100mA for both silver and gold plated contacts
Insulation Resistance:	1,000MΩ min.
Dielectric Strength:	1,000 V rms @ sea level
Actuation Force:	200 ± 50 gf
Operating Temperature:	-30°C to +85°C

MATERIALS

Case:	DAP
Plunger:	Glass filled nylon or glass filled polyester
Bushing:	Nickel plated brass
Housing:	Stainless steel
Contacts:	Silver or Gold plated copper alloy

HOW TO ORDER

SERIES	MODEL NO.	BUSHING	TERMINATION	CONTACT MATERIAL	SEAL	HARDWARE	CAP	CAP COLOR
800	SP9 SP8	B5 B6 B7 B8* B9* B10	M1 M2 M6 M61 M7 VS2	Q = Silver R = Gold	E = Epoxy Sealed at Base of Terminal	H = Hardware	See Cap Options	

▶ ▶ ▶ **Example Ordering Number**
800-SP9-B5-M1-Q-E-H

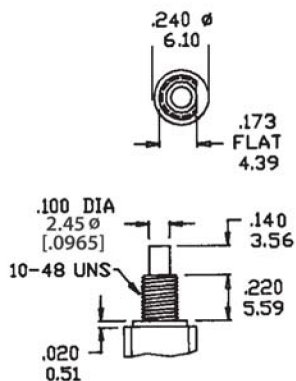
*Note: C2 cap not available on B8 or B9 bushing.

Specifications subject to change without notice.

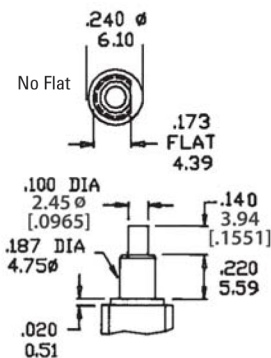
BUSHING OPTIONS

B5 THD

B6 NON-THD

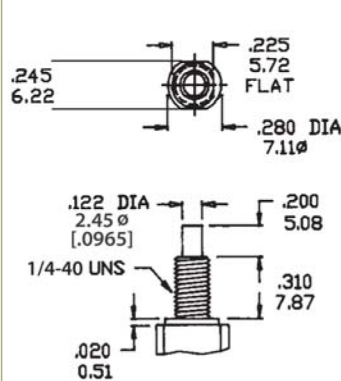


B7 NON-THD

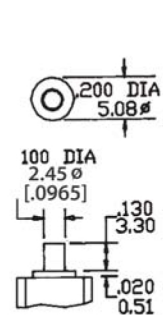


B8 NON-THD

B9 THD



B10 NON-THD

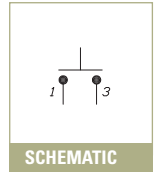
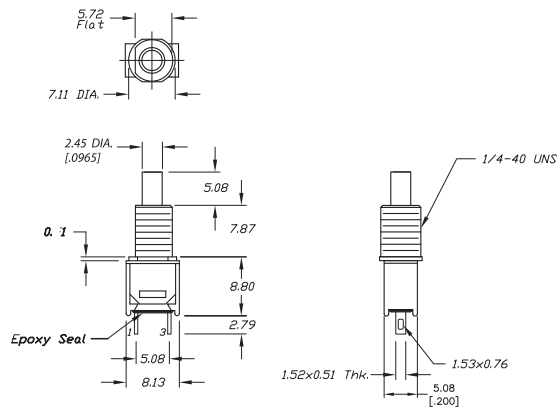


M1

SPST



Model No.	Type	
SP-9	OFF	(ON)
() = Momentary		

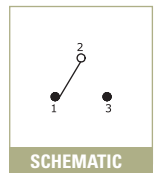
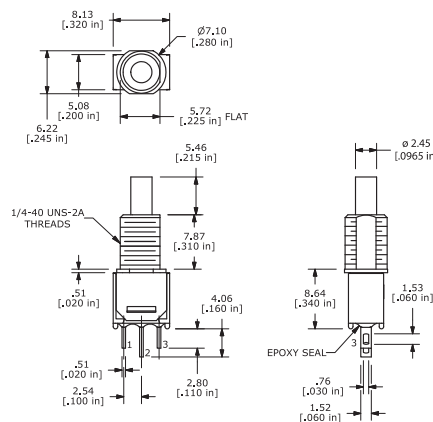


M1

SPDT

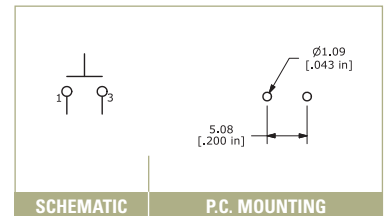
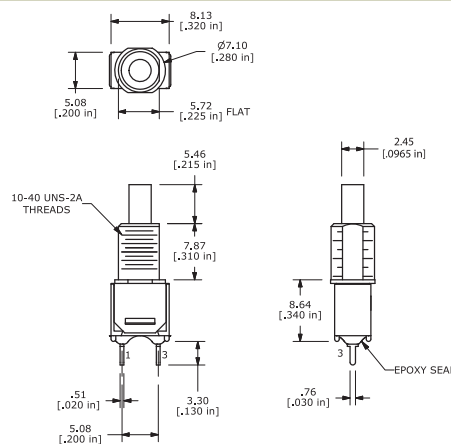


Model No.	Type	
SP-8	ON	(ON)
Term. Comm	2-1	2-3
() = Momentary		



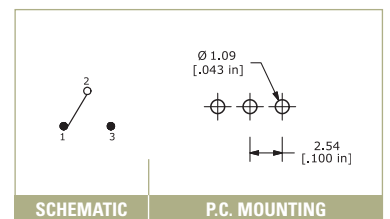
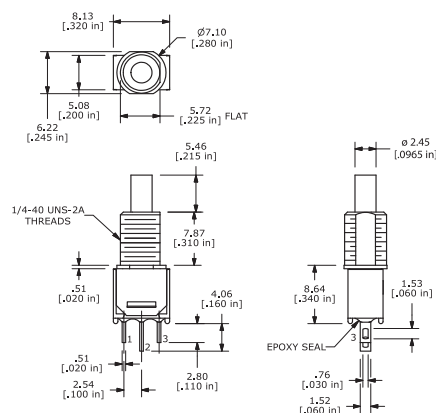
M2

SPST



M2

SPDT



SERIES 800 SWITCHES

PUSHBUTTON SWITCHES - SUB-MINIATURE

TACT SWITCHES

NAVIGATION SWITCHES

PUSHBUTTON SWITCHES

TOGGLE SWITCHES

ROCKER SWITCHES

SLIDE SWITCHES

SNAP-ACTION SWITCHES

DIP SWITCHES

KEYLOCK SWITCHES

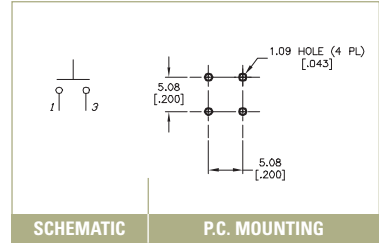
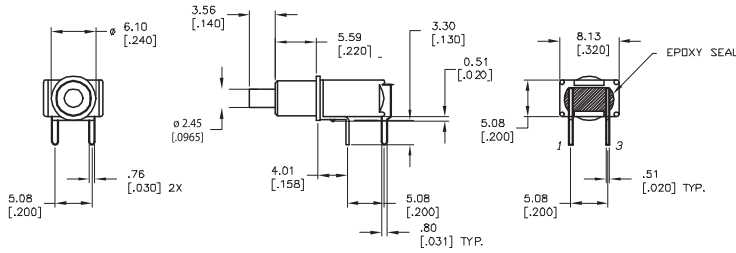
ROTARY SWITCHES

DETECTOR SWITCHES

CAP OPTIONS

M6

SPST

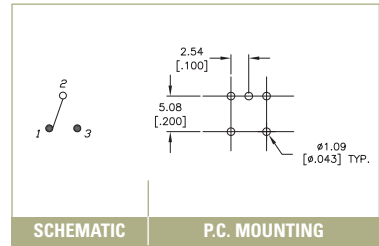
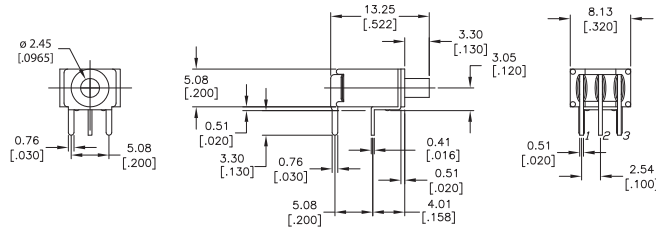


SCHEMATIC

P.C. MOUNTING

M6

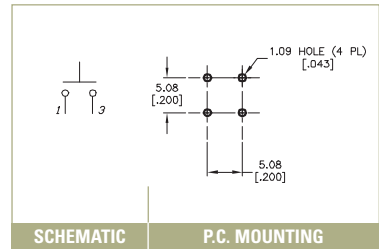
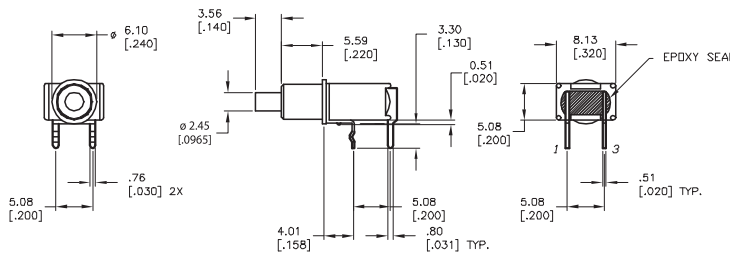
SPDT



SCHEMATIC

P.C. MOUNTING

M61



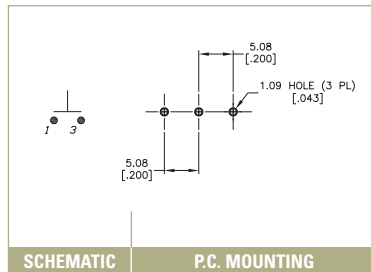
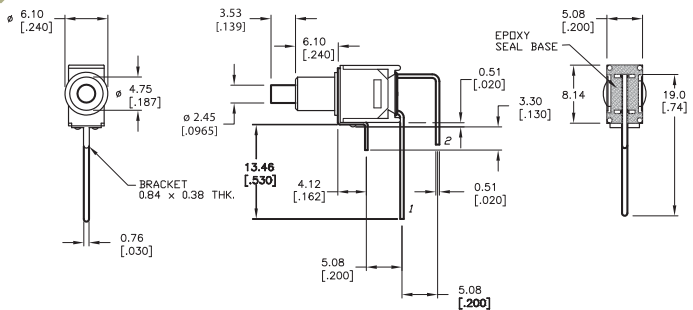
SCHEMATIC

P.C. MOUNTING



M7

SPST

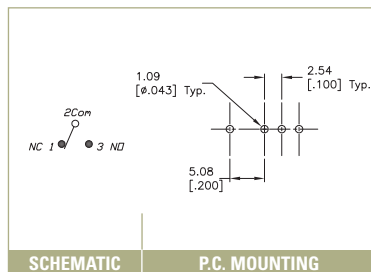
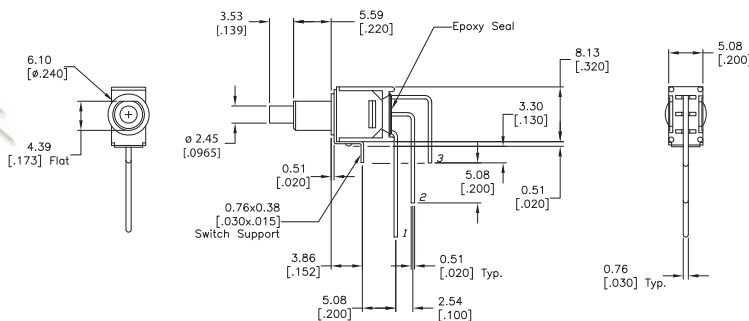


SCHEMATIC

P.C. MOUNTING

M7

SPDT

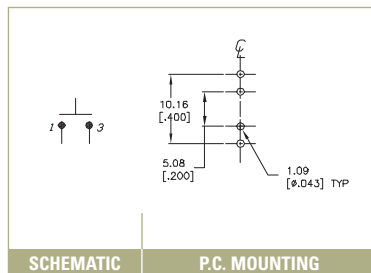
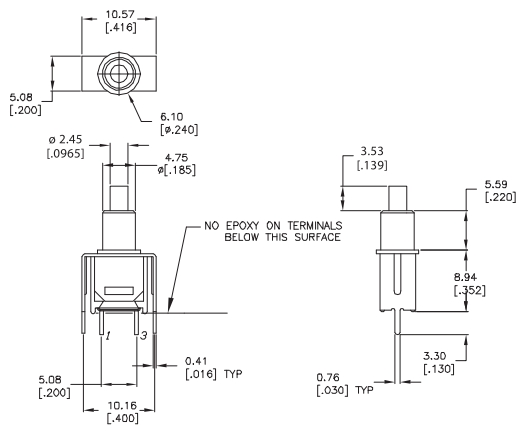


SCHEMATIC

P.C. MOUNTING

VS2

SPST

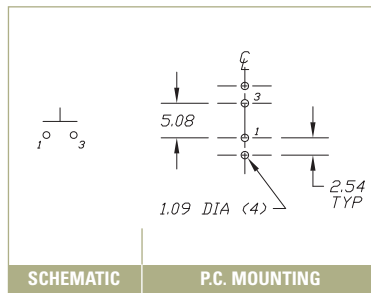
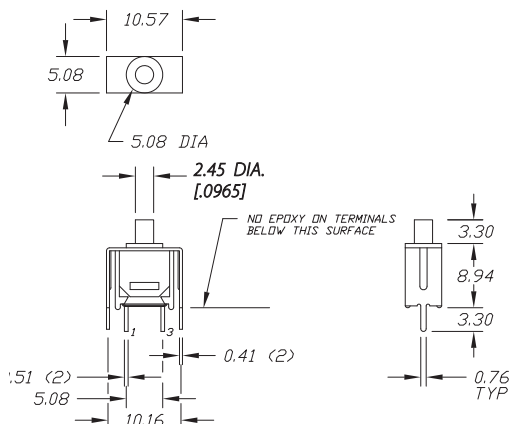


SCHEMATIC

P.C. MOUNTING

VS2

SPDT



SCHEMATIC

P.C. MOUNTING

SERIES 800 SWITCHES

PUSHBUTTON SWITCHES - SUB-MINIATURE PANEL MOUNT



HOW TO ORDER

SERIES
800

MODEL NO.
SP9
DP8

TERMINATION
M1

CONTACT MATERIAL
Q = Silver
R = Gold

SEAL
E

E = Epoxy
Sealed at
Base of
Terminal

CAP
OP1

CAP COLOR
BLK = Black
RED = Red
WHT = White

FRAME COLOR
BLK = Black
RED = Red
WHT = White



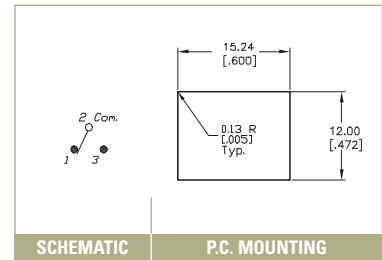
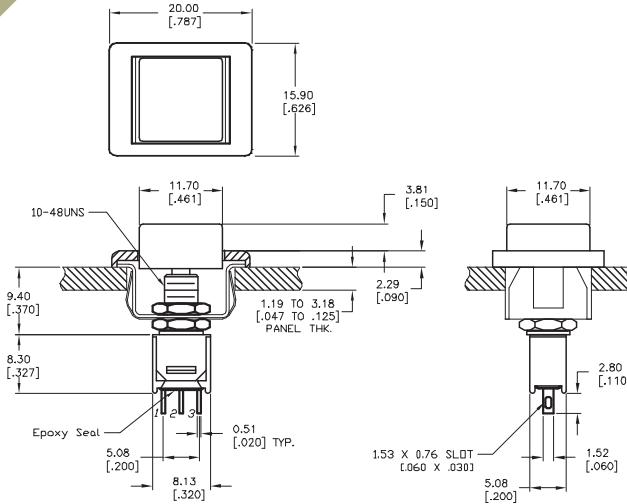
Example Ordering Number

800-SP9-M1-Q-E-OP1-BLK-BLK

Specifications subject to change without notice.

OP1

PANEL MOUNT



CONTACT MATERIAL OPTIONS

Q

Fixed Terminal:	Silver plated copper alloy
Moving Contact:	Silver plated copper alloy
Rating:	3 AMPS @ 120 VAC; 1 AMP @ 250VAC

R

Fixed Terminal:	Copper alloy with gold plate over nickel plate
Moving Contact:	Copper alloy with gold plate over nickel plate
Rating:	0.4 VA max. @ 20 VAC or DC max.

Mouser Electronics

Authorized Distributor

Click to View Pricing, Inventory, Delivery & Lifecycle Information:

E-Switch:

[800SP8B7M6QE](#) [800SP8B7M7RE](#) [800SP8B7M1QE](#) [800SP9B7VS2QEC1RED](#) [800SP8B6M6QE](#) [800SP9B7M6RE](#)
[800SP9B7M61RE](#) [800SP9B9M1QEH](#) [800SP9B6M2RE](#) [800SP9B6M6RE](#) [800SP9B5M1QEH](#)
[800SP9B5M1REHC2BLK](#) [800SP8B7M7QEC1BLK](#) [800SP8B7M6RE](#) [800SP9B5M2QEH](#) [800SP8B10M1RE](#)
[800SP8B6M6RE](#) [800SP8B6M7QE](#) [800SP8B7M7QE](#) [800SP8B9M6RE](#) [800SP8M1REOP1BLKBLK](#)
[800SP9B5M6REH](#) [800SP9B6M7RE](#) [800SP9B7VS2QE](#) [800SP9B8M2QE](#) [800SP9B8M7QE](#) [800SP9B9VS2QE](#)
[800SP8B7VS2QE](#) [800SP8B9M6REH](#) [800SP8B6VS2QE](#) [800SP8B6VS2QEC2BLK](#) [800SP9B7M7QEC1BLK](#)
[800SP9B8M6RE](#) [800SP8B10M2QE](#) [800SP8B10M2RE](#) [800SP8B10M6QE](#) [800SP8B10M6RE](#) [800SP8B10M7QE](#)
[800SP8B5M1QE](#) [800SP8B5M1QEH](#) [800SP8B5M2QE](#) [800SP8B5M2RE](#) [800SP8B5M7QE](#) [800SP8B6M1QE](#)
[800SP8B6M2QE](#) [800SP8B6VS2RE](#) [800SP8B7M2QE](#) [800SP8B8M2QE](#) [800SP8B8M2RE](#) [800SP8B9M1QE](#)
[800SP8B9M1QEH](#) [800SP8B9M2RE](#) [800SP8B9M2REH](#) [800SP8M1QEOP1BLKBLK](#) [800SP9B10M1RE](#)
[800SP9B10M2QE](#) [800SP9B10M2RE](#) [800SP9B10M6QE](#) [800SP9B10M6RE](#) [800SP9B10M6REC1BLK](#)
[800SP9B10M7RE](#) [800SP9B10VS2RE](#) [800SP9B5M1QE](#) [800SP9B5M1QEC2GRN](#) [800SP9B5M1RE](#) [800SP9B5M2QE](#)
[800SP9B5M2RE](#) [800SP9B5M6QE](#) [800SP9B5M6QEH](#) [800SP9B5M6RE](#) [800SP9B5VS2QE](#) [800SP9B5VS2RE](#)
[800SP9B5VS2REC1BLK](#) [800SP9B6M1QE](#) [800SP9B6M2QE](#) [800SP9B6M7QE](#) [800SP9B6VS2QE](#) [800SP9B6VS2RE](#)
[800SP9B7M2QE](#) [800SP9B7M2RE](#) [800SP9B7M2REC1BLK](#) [800SP9B7M6QE](#) [800SP9B7M6REC2BLK](#)
[800SP9B7M7QE](#) [800SP9B7M7RE](#) [800SP9B7M7REC1BLK](#) [800SP9B8M2RE](#) [800SP9B9M1QE](#) [800SP9B9M1RE](#)
[800SP9B9M2QE](#) [800SP9B9M2QEH](#) [800SP9B9M2RE](#) [800SP9B9M2REH](#) [800SP9B9M6QE](#) [800SP9B9M6RE](#)
[800SP9B9M6REH](#) [800SP9B9VS2RE](#) [800SP9B9VS2REH](#) [800SP9B5M1QEFLUSHACT](#)
[800SP9B5M1QEHFLUSHACT](#)