

PLEASE CHECK WWW.MOLEX.COM FOR LATEST PART INFORMATION

Part Number: [0622022060](#)
Status: **Active**
Overview: [Application Tooling](#)
Description: Insertion Module, 4-Pair 2-Up Power Module

Documents:

[RoHS Certificate of Compliance \(PDF\)](#)

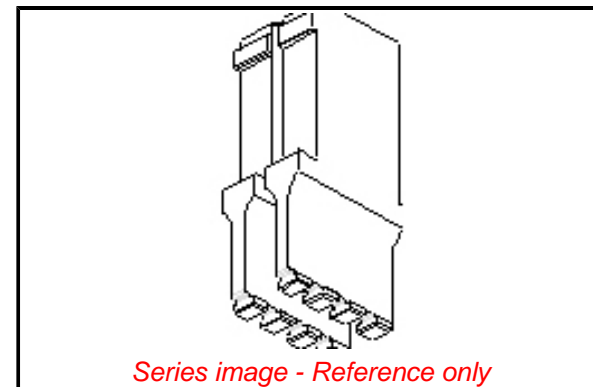
General

Product Family	Application Tooling
Series	207123
Function	Insertion
Geographic Area	Global
Level of Automation	Manual
More Detailed Tech Information	applicationtooling@molex.com
Overview	Application Tooling
Product Name	N/A
Tool Type	Press-Fit Insertion Tool
UPC	822348688661
Warranty Disclaimer	CAUTION: Molex tooling crimp specifications are valid only when used with Molex terminals and tooling manufactured by Molex and sold by Molex or authorized distributors ("Molex Tooling"). When using tooling other than Molex Tooling with Molex specific connector systems listed in our ATS documents, the Molex tooling qualification does not apply and the responsibility for full qualification of the connector system is that of the customer. Molex accepts no liability for connector performance or tooling support where tooling other than Molex Tooling is used or where Molex Tooling is modified.

Material Info

Reference - Drawing Numbers

Application Tooling Documents [ATS-622022060, TM-622022099](#)



EU ELV

Not Reviewed

EU RoHS

Not Reviewed

REACH SVHC

Not Reviewed

Halogen-Free

Status

Not Reviewed

For more information, please visit [Contact US](#)

China ROHS

Not Reviewed

ELV

Not Reviewed

RoHS Phthalates

Not Reviewed

Search Parts in this Series

[207123 Series](#)

Application Tooling | **FAQ**
Description | **Product #**

1.57mm Diameter, Standard .062" Pin and Socket Crimp Terminal, Female, with Tin (Sn) Plated Brass Contact, 18-24 AWG, Reel	2061101
1.57mm Diameter, Standard .062" Pin and Socket Crimp Terminal, Female, with Tin (Sn) Plated Brass Contact, 18-24 AWG, Bag	2061103
1.57mm Diameter, Standard .062" Pin and Socket Crimp Terminal, Series 4529, Female, with Tin (Sn) Plated Phosphor Bronze	2061104

Contact, 18-24 AWG,
Reel
1.57mm Diameter, 2061118
Standard .062" Pin
and Socket Crimp
Terminal, Series
1561, Female, with
Tin (Sn) Plated Brass
Contact, Without
Locking Tabs,
18-24 AWG, Reel
Packaged
1.57mm Diameter, 2061131
Standard .062" Pin
and Socket Crimp
Terminal, Series
1855, Female, with
Tin (Sn) Plated Brass
Contact, 24-30 AWG,
Reel
1.57mm Diameter, 2061132
Standard .062" Pin
and Socket Crimp
Terminal, Series
1855, Female, with
Tin (Sn) Plated Brass
Contact, 24-30 AWG,
Bag
1.57mm Diameter, 2061141
Standard .062" Pin
and Socket Crimp
Terminal, Series
1855, Female, with
Tin (Sn) Plated
Brass Contact,
24-30 AWG, Without
Locking Tabs, Reel
Packaged
1.57mm Diameter, 2061143
Standard .062" Pin
and Socket Crimp
Terminal, Series
1855, Female, with
Tin (Sn) Plated Brass
Contact, 24-30 AWG,
Reel Packaged with
Interleaf Paper
1.57mm Diameter, 2062101
Standard .062" Pin
and Socket Crimp
Terminal, Series
1560, Male, with Tin
(Sn) Plated Brass
Contact, 18-24 AWG,
Reel
1.57mm Diameter, 2062103
Standard .062" Pin
and Socket Crimp
Terminal, Series
1560, Male, with Tin
(Sn) Plated Brass
Contact, 18-24 AWG,
Bag
1.57mm Diameter, 2062131
Standard .062" Pin

and Socket Crimp
Terminal, Series
1854, Male, with Tin
(Sn) Plated Brass
Contact, 24-30 AWG,
Reel

1.57mm Diameter, 2062132

Standard .062" Pin
and Socket Crimp
Terminal, Series
1854, Male, with Tin
(Sn) Plated Brass
Contact, 24-30 AWG,
Bag

1.57mm Diameter, 2065100

Standard .062" Pin
and Socket Crimp
Terminal, Female,
with 0.38 μ m Gold
(Au) Plated Brass
Contact, 18-24 AWG,
Reel

1.57mm Diameter, 2065101

Standard .062" Pin
and Socket Crimp
Terminal, Female,
with 0.76 μ m Gold
(Au) Plated Brass
Contact, 18-24 AWG,
Reel

1.57mm Diameter, 2065102

Standard .062" Pin
and Socket Crimp
Terminal, Female,
with 0.76 μ m Gold
(Au) Plated Brass
Contact, 18-24 AWG,
Bag

1.57mm Diameter, 2065103

Standard .062" Pin
and Socket Crimp
Terminal, Female,
with 0.38 μ m Gold
(Au) Plated Brass
Contact, 18-24 AWG,
Bag

1.57mm Diameter, 2065104

Standard .062" Pin
and Socket Crimp
Terminal, Series
1561, Female,
with 1.27 μ m Gold
Max. Insulation
Diameter, Loose in
Bag Packaged

1.57mm Diameter, 2065105

Standard .062" Pin
and Socket Crimp
Terminal, Series
1561, Female, with
1.27 μ m Gold Max.
Insulation Diameter,
Reel

1.57mm Diameter, 2065108

Standard .062" Pin

and Socket Crimp
Terminal, Female,
with Selective Gold
(Au) Plated Brass
Contact, 18-24 AWG,
Reel

1.57mm Diameter, 2065109

Standard .062" Pin
and Socket Crimp
Terminal, Female,
with Selective Gold
(Au) Plated Brass
Contact, 18-24 AWG,
Bag

1.57mm Diameter, 2065130

Standard .062" Pin
and Socket Crimp
Terminal, Series
1855, Female,
with 0.38 μ m Gold
(Au) Plated Brass
Contact, 24-30 AWG,
Reel

1.57mm Diameter, 2065135

Standard .062" Pin
and Socket Crimp
Terminal, Series
1855, Female,
with 0.38 μ m Gold
(Au) Plated Brass
Contact, 24-30 AWG,
Bag

1.57mm Diameter, 2065138

Standard .062" Pin
and Socket Crimp
Terminal, Series
1855, Female,
with 0.76 μ m Gold
(Au) Plated Brass
Contact, 24-30 AWG,
Reel

1.57mm Diameter, 2065139

Standard .062" Pin
and Socket Crimp
Terminal, Series
1855, Female,
with 0.76 μ m Gold
(Au) Plated Brass
Contact, 24-30 AWG,
Bag

1.57mm Diameter, 2065147

Standard .062" Pin
and Socket Crimp
Terminal, Series
1855, Female, with
Selective Gold
(Au) Plated Brass
Contact, 24-30 AWG,
Reel

1.57mm Diameter, 2065148

Standard .062" Pin
and Socket Crimp
Terminal, Series
1855, Female, with
Selective Gold

(Au) Plated Brass
Contact, 24-30 AWG,
Bag
1.57mm Diameter, 2066100
Standard .062" Pin
and Socket Crimp
Terminal, Series
1560, Male, with
Gold (Au) Plated
Brass Contact, 18-24
AWG, Reel
1.57mm Diameter, 2066101
Standard .062"
Pin and Socket
Crimp Terminal,
Series 1560, Male,
with .76µm Selective
Gold (Au) Plated
Brass Contact,
18-24 AWG, Reel
Packaged
1.57mm Diameter, 2066102
Standard .062"
Pin and Socket
Crimp Terminal,
Series 1560, Male,
with .76µm Selective
Gold (Au) Plated
Brass Contact, 18-24
AWG, Bag Packaged
1.57mm Diameter, 2066103
Standard .062" Pin
and Socket Crimp
Terminal, Series
1560, Male, with
Gold (Au) Plated
Brass Contact, 18-24
AWG, Bag
1.57mm Diameter, 2066104
Standard .062"
Pin and Socket
Crimp Terminal,
Series 1560, Male,
with Selective
1.27µm Select Gold
(Au) Plated Brass
Contact, 18-24 AWG,
Bag Packaged
1.57mm Diameter, 2066118
Standard .062" Pin
and Socket Crimp
Terminal, Series
1560, Male, with
Selective Gold
(Au) Plated Brass
Contact, Tin/Lead
Plated Crimp Area,
18-24 AWG, Reel
1.57mm Diameter, 2066119
Standard .062" Pin
and Socket Crimp
Terminal, Series
1560, Male, with
Selective Gold
(Au) Plated Brass

Contact, Tin/Lead
Plated Crimp Area,
18-24 AWG, Bag
1.57mm Diameter, 2066122
Standard .062"
Pin and Socket
PC Tail Terminal,
Series 1778, Male,
with Selective Gold
(Au) Plated Brass
Contact, Bag
1.57mm Diameter, 2066130
Standard .062" Pin
and Socket Crimp
Terminal, Series
1854, Male, with
Gold (Au) Plated
Brass Contact, 24-30
AWG, Reel
1.57mm Diameter, 2066135
Standard .062" Pin
and Socket Crimp
Terminal, Series
1854, Male, with
Gold (Au) Plated
Brass Contact, 24-30
AWG, Bag
1.57mm Diameter, 2066138
Standard .062" Pin
and Socket Crimp
Terminal, Series
1854, Male, with
Selective Gold
(Au) Plated Brass
Contact, 24-30 AWG,
Reel
1.57mm Diameter, 2066139
Standard .062" Pin
and Socket Crimp
Terminal, Series
1854, Male, with
Selective Gold
(Au) Plated Brass
Contact, 24-30 AWG,
Bag
1.57mm Diameter, 2066143
Standard .062" Pin
and Socket Crimp
Terminal, Series
1854, Male, with
Selective Gold
(Au) Plated Brass
Contact, Tin (Sn)
Plated Crimp Area,
24-30 AWG, Reel
1.57mm Diameter, 2066144
Standard .062" Pin
and Socket Crimp
Terminal, Series
1854, Male, with
Selective Gold
(Au) Plated Brass
Contact, Tin (Sn)
Plated Crimp Area,
24-30 AWG, Bag

1.57mm Diameter, 2067103
Standard .062" Pin
and Socket PC Tail
Terminal, Series
1779, Female,
with 2.54µm Tin
(Sn) Plated Brass
Contact, Bag
Packaged

1.57mm Diameter, 2067104
Standard .062" Pin
and Socket PC Tail
Terminal, Series
1779, Female,
with .76µm Selective
Gold (Au) Plated
Brass Contact, Bag
Packaged

1.57mm Diameter, 2068103
Standard .062" Pin
and Socket PC Tail
Terminal, Series
1778, Male, with Tin
(Sn) Plated Brass
Contact, Bag
Clascon Crimp 2081101
Terminal Socket, Tin
(Sn) Plated Brass
Contact, 16-24 AWG,
Reel
MLX Crimp Terminal 2082008
42023, 14-20 AWG,
Bag Selective Gold
(Au)

2.36mm Diameter, 2091102
Standard .093" Pin
and Socket Crimp
Terminal, Series
1189, Female, with
Tin (Sn) Plated Brass
Contact, 14-20 AWG,
Reel

2.36mm Diameter, 2091104
Standard .093" Pin
and Socket Crimp
Terminal, Series
1189, Female, with
Tin (Sn) Plated Brass
Contact, 14-20 AWG,
Bag

2.36mm Diameter, 2091117
Standard .093" Pin
and Socket Crimp
Terminal, Series
1381, Female, with
Tin (Sn) Plated Brass
Contact, 18-22 AWG,
Reel

2.36mm Diameter, 2091119
Standard .093" Pin
and Socket Crimp
Terminal, Series
1381, Female, with
Tin (Sn) Plated Brass

Contact, 18-22 AWG,
Bag
2.36mm Diameter, 2091122
Standard .093" Pin
and Socket Crimp
Terminal, Series
2273, Female, with
Tin (Sn) Plated
Contact, Low
Engagement Force,
18-22 AWG, Reel
2.36mm Diameter, 2091123
Standard .093" Pin
and Socket Crimp
Terminal, Series
2273, Female, with
Tin (Sn) Plated
Contact, Low
Engagement Force,
18-22 AWG, Bag
2.36mm Diameter, 2091134
Standard .093" Pin
and Socket PC Tail
Terminal, Series
1377, Female, with
Tin (Sn) Plated
Contact, Bag
2.36mm Diameter, 2091155
Standard .093" Pin
and Socket Crimp
Terminal, Series
41483, Female, with
Tin (Sn) Plated Brass
Contact, 14-18 AWG
with Large Insulation
Diameter, Chain
2.36mm Diameter, 2091205
Standard .093" Pin
and Socket Crimp
Terminal, Series
4550, Female, with
Tin (Sn) Plated
Phosphor Bronze
Contact, 14-20 AWG,
Reel
2.36mm Diameter, 2091206
Standard .093" Pin
and Socket Crimp
Terminal, Series
4550, Female, with
Tin (Sn) Plated
Phosphor Bronze
Contact, 14-20 AWG,
Bag
2.36mm Diameter, 2091615
Standard .093"
Pin and Socket
Crimp Terminal,
Series 42477,
Female, with Tin
(Sn) Plated Contact,
High Current/Low
Engagement Force,
14-18 AWG, Reel

2.36mm Diameter, [2092101](#)
Standard .093" Pin
and Socket Crimp
Terminal, Series
1190, Male, with Tin
(Sn) Plated Brass
Contact, 14-20 AWG,
Reel

2.36mm Diameter, [2092103](#)
Standard .093" Pin
and Socket Crimp
Terminal, Series
1190, Male, with Tin
(Sn) Plated Brass
Contact, 14-20 AWG,
Bag

Vertical Solder Relief [2092105](#)
(VSR) Direct-Solder
Crimp Terminal,
Series 4706, Male,
Tin (Sn) Plated Brass
Contact, 16-18 AWG,
11.20mm Terminal
Progression

2.36mm Diameter, [2092116](#)
Standard .093" Pin
and Socket Crimp
Terminal, Series
1380, Male, with Tin
(Sn) Plated Brass
Contact, 18-22 AWG,
Reel

2.36mm Diameter, [2092117](#)
Standard .093" Pin
and Socket Crimp
Terminal, Series
1380, Male, with Tin
(Sn) Plated Brass
Contact, without
Dents, 18-22 AWG,
Reel

2.36mm Diameter, [2092118](#)
Standard .093" Pin
and Socket Crimp
Terminal, Series
1380, Male, with Tin
(Sn) Plated Brass
Contact, 18-22 AWG,
Bag

2.36mm Diameter, [2092133](#)
Standard .093" Pin
and Socket PC Tail
Terminal, Series
1376, Male, with Tin/
Lead (Sn/Pb) Plated
Contact, With Detent,
Bag Packaged

2.36mm Diameter, [2092134](#)
Standard .093" Pin
and Socket PC Tail
Terminal, Series
1376, Male, with Tin
(Sn) Plated Contact,
Without Detent, Bag
Packaged

2.36mm Diameter, [2092166](#)
Standard .093" Pin
and Socket Crimp
Terminal, Series
4549, Male, with
Tin (Sn) Plated
Phosphor Bronze
Contact, 14-20 AWG,
Reel Packaged

2.36mm Diameter, [2092167](#)
Standard .093" Pin
and Socket Crimp
Terminal, Series
4549, Male, with
Tin (Sn) Plated
Phosphor Bronze
Contact, 14-20 AWG,
Bag Packaged

2.36mm Diameter, [2092170](#)
Standard .093" Pin
and Socket Crimp
Terminal, Series
1190, Male, with Tin
(Sn) Plated Brass
Contact, 14-18 AWG,
Large Insulation
Crimp, Reel

2.36mm Diameter, [2092171](#)
Standard .093" Pin
and Socket Crimp
Terminal, Series
1190, Male, with Tin
(Sn) Plated Brass
Contact, 14-18 AWG,
Large Insulation
Crimp, Bag

2.36mm Diameter, [2092611](#)
Standard .093" Pin
and Socket Crimp
Terminal, Series
42478, Male, with Tin
(Sn) Plated Contact,
High Current/Low
Engagement Force,
14-18 AWG, Reel

2.36mm Diameter, [2095100](#)
Standard .093" Pin
and Socket Crimp
Terminal, Series
1189, Female, with
Gold (Au) Plated
Brass Contact, 14-20
AWG, Reel

2.36mm Diameter, [2095101](#)
Standard .093" Pin
and Socket Crimp
Terminal, Series
1190, Male, with Tin
(Sn) Plated Brass
Contact, 14-20 AWG,
Chain

2.36mm Diameter, [2095102](#)
Standard .093" Pin
and Socket Crimp
Terminal, Series

1189, Female, with
Selective Gold
(Au) Plated Brass
Contact, 14-20 AWG,
Reel

2.36mm Diameter, 2095106
Standard .093" Pin
and Socket Crimp
Terminal, Series

1189, Female, with
Gold (Au) Plated
Brass Contact, 14-20
AWG, Bag

2.36mm Diameter, 2095111
Standard .093" Pin
and Socket Crimp
Terminal, Series

1189, Female, with
Selective Gold
(Au) Plated Brass
Contact, 14-20 AWG,
Bag

2.36mm Diameter, 2095130
Standard .093" Pin
and Socket Crimp
Terminal, Series

1381, Female, with
Selective Gold
(Au) Plated Brass
Contact, 18-22 AWG,
Reel

2.36mm Diameter, 2095132
Standard .093" Pin
and Socket PC Tail
Terminal, Series

1377, Female, with
Gold (Au) Plated
Contact, Bag

2.36mm Diameter, 2095133
Standard .093" Pin
and Socket Crimp
Terminal, Series

1381, Female, with
Selective Gold
(Au) Plated Brass
Contact, 18-22 AWG,
Bag

2.36mm Diameter, 2095142
Standard .093" Pin
and Socket Crimp
Terminal, Series

1381, Female, with
Gold (Au) Plated
Brass Contact, 18-22
AWG, Bag

2.36mm Diameter, 2095143
Standard .093" Pin
and Socket Crimp
Terminal, Series

1381, Female, with
Gold (Au) Plated
Brass Contact, 18-22
AWG, Reel

2.36mm Diameter, 2095169
Standard .093" Pin

and Socket Crimp
Terminal, Series
4550, Female, with
Gold (Au) Plated
Phosphor Bronze
Contact, 14-20 AWG,
Reel

2.36mm Diameter, [2095170](#)

Standard .093" Pin
and Socket Crimp
Terminal, Series
4550, Female, with
Gold (Au) Plated
Phosphor Bronze
Contact, 14-20 AWG,
Bag

2.36mm Diameter, [2096100](#)

Standard .093" Pin
and Socket Crimp
Terminal, Series
1190, Male, with
Gold (Au) Plated
Brass Contact, 14-20
AWG, Reel

2.36mm Diameter, [2096101](#)

Standard .093" Pin
and Socket Crimp
Terminal, Series
1190, Male, with
Selective Gold
(Au) Plated Brass
Contact, 14-20 AWG,
Reel

2.36mm Diameter, [2096102](#)

Standard .093" Pin
and Socket Crimp
Terminal, Series
1189, Female, with
Tin (Sn) Plated Brass
Contact, 14-20 AWG,
Reel

2.36mm Diameter, [2096106](#)

Standard .093" Pin
and Socket Crimp
Terminal, Series
1190, Male, with
Gold (Au) Plated
Brass Contact, 14-20
AWG, Bag

2.36mm Diameter, [2096110](#)

Standard .093" Pin
and Socket Crimp
Terminal, Series
1190, Male, with
Selective Gold
(Au) Plated Brass
Contact, 14-20 AWG,
Bag

2.36mm Diameter, [2096122](#)

Standard .093" Pin
and Socket Crimp
Terminal, Series
1380, Male, with
Gold (Au) Plated

Brass Contact, 18-22
AWG, Reel
2.36mm Diameter, 2096123
Standard .093" Pin
and Socket Crimp
Terminal, Series
1380, Male, with
Gold (Au) Plated
Brass Contact, 18-22
AWG, Bag
2.36mm Diameter, 2096125
Standard .093" Pin
and Socket Crimp
Terminal, Series
1380, Male, with
Selective Gold
(Au) Plated Brass
Contact, 18-22 AWG,
Reel
2.36mm Diameter, 2096126
Standard .093" Pin
and Socket Crimp
Terminal, Series
1380, Male, with
Selective Gold
(Au) Plated Brass
Contact, 18-22 AWG,
Bag
2.36mm Diameter, 2096132
Standard .093"
Pin and Socket
PC Tail Terminal,
Series 1376, Male,
with Gold (Au)
Plated Contact,
Without Detent, Bag
Packaged
2.36mm Diameter, 2098103
Standard .093" Pin
and Socket Crimp
Grounding Terminal,
Series 1973, Male,
with Tin (Sn) Plated
Brass Contact, 18-22
AWG, Reel
2.36mm Diameter, 2098104
Standard .093" Pin
and Socket Crimp
Grounding Terminal,
Series 1973, Male,
with Tin (Sn) Plated
Brass Contact, 18-22
AWG, Bag
2.36mm Diameter, 2098108
Standard .093" Pin
and Socket Crimp
Grounding Terminal,
Series 1973, Male,
with Tin (Sn) Plated
Brass Contact, 14-18
AWG, Reel
2.36mm Diameter, 2098109
Standard .093" Pin
and Socket Crimp
Grounding Terminal,

Series 1973, Male,
with Tin (Sn) Plated
Brass Contact, 14-18
AWG, Bag
Mini-Fit Jr. 3044052
Receptacle Housing,
Single Row, 5
Circuits, UL 94V-2,
Natural
1.57mm Diameter 3061011
Standard .062"
Pin and Socket
Receptacle Housing,
1 Circuits, Natural
1.57mm Diameter 3061022
Standard .062"
Pin and Socket
Receptacle Housing,
2 Circuits, with Pre-
bent Mounting Ears,
Natural
1.57mm Diameter 3061023
Standard .062"
Pin and Socket
Receptacle Housing,
2 Circuits, without
Mounting Ears,
Natural
1.57mm Diameter 3061031
Standard .062"
Pin and Socket
Receptacle Housing,
3 Circuits, with
Standard Mounting
Ears
1.57mm Diameter 3061032
Standard .062"
Pin and Socket
Receptacle Housing,
3 Circuits, without
Mounting Ears,
Natural
1.57mm Diameter 3061038
Standard .062"
Pin and Socket
Receptacle Housing,
3 Circuits, with Pre-
bent Mounting Ears,
Natural
1.57mm Diameter 3061041
Standard .062"
Pin and Socket
Receptacle Housing,
4 Circuits, with
Standard Mounting
Ears
1.57mm Diameter 3061042
Standard .062"
Pin and Socket
Receptacle Housing,
4 Circuits, without
Mounting Ears,
Natural
1.57mm Diameter 3061044
Standard .062"

Pin and Socket Receptacle Housing, Dual Row, without Mounting Ears, PA Polyamide Nylon 6/6, UL 94V-2, 4 Circuits, Natural 1.57mm Diameter Standard .062"	<u>3061062</u>
Pin and Socket Receptacle Housing, 6 Circuits, without Mounting Ears, Natural 1.57mm Diameter Standard .062"	<u>3061092</u>
Pin and Socket Receptacle Housing, 9 Circuits, without Mounting Ears, Natural 1.57mm Diameter Standard .062"	<u>3061121</u>
Pin and Socket Receptacle Housing, 12 Circuits, with Standard Mounting Ears, Natural 1.57mm Diameter Standard .062"	<u>3061122</u>
Pin and Socket Receptacle Housing, 12 Circuits, without Mounting Ears, Natural 1.57mm Diameter Standard .062" Pin and Socket Plug Housing, 1 Circuits, Natural	<u>3062011</u>
1.57mm Diameter Standard .062" Pin and Socket Plug Housing, 2 Circuits, without Mounting Ears, Natural	<u>3062023</u>
1.57mm Diameter Standard .062" Pin and Socket Plug Housing, 2 Circuits, with Pre- bent Mounting Ears, Natural	<u>3062024</u>
1.57mm Diameter Standard .062" Pin and Socket Plug Housing, 3 Circuits, with Standard Mounting Ears, Natural	<u>3062031</u>
1.57mm Diameter Standard .062" Pin and Socket Plug Housing, 3 Circuits,	<u>3062032</u>

without Mounting Ears, Natural 1.57mm Diameter Standard .062" Pin and Socket Plug Housing, 3 Circuits, with Pre- bent Mounting Ears, Natural	<u>3062033</u>
1.57mm Diameter Standard .062" Pin and Socket Plug Housing, 4 Circuits, with Standard Mounting Ears	<u>3062041</u>
1.57mm Diameter Standard .062" Pin and Socket Plug Housing, 4 Circuits, without Mounting Ears, Natural	<u>3062042</u>
1.57mm Diameter Standard .062" Pin and Socket Plug Housing, Dual Row, without Mounting Ears, PA Polyamide Nylon 6/6, UL 94V-2, 4 Circuits, Natural	<u>3062044</u>
1.57mm Diameter Standard .062" Pin and Socket Plug Housing, 6 Circuits, without Mounting Ears, Natural	<u>3062061</u>
1.57mm Diameter Standard .062" Pin and Socket Plug Housing, 9 Circuits, without Mounting Ears, Natural	<u>3062092</u>
1.57mm Diameter Standard .062" Pin and Socket Plug Housing, 12 Circuits, with Pre- bent Mounting Ears, Natural	<u>3062121</u>
1.57mm Diameter Standard .062" Pin and Socket Plug Housing, 12 Circuits, without Mounting Ears, Natural	<u>3062122</u>
1.57mm Diameter Standard .062" Pin and Socket Receptacle Housing, 2 Circuits, without Mounting Ears, Black	<u>3066023</u>
1.57mm Diameter Standard .062" Pin and Socket Receptacle Housing,	<u>3066062</u>

6 Circuits, without
Mounting Ears, Black
1.57mm Diameter 3067023
Standard .062" Pin
and Socket Plug
Housing, Black, 2
Circuits, without
Mounting Ears, Black
1.57mm Diameter 3067044
Standard .062" Pin
and Socket Plug
Housing, Dual Row,
without Mounting
Ears, PA Polyamide
Nylon 6/6, UL 94V-2,
4 Circuits, Black
1.57mm Diameter 3067061
Standard .062" Pin
and Socket Plug
Housing, 6 Circuits,
without Mounting
Ears, Black
2.36mm Diameter 3091011
Standard .093"
Pin and Socket
Receptacle Housing,
1 Circuit, Friction
Lock, Natural
2.36mm Diameter 3091022
Standard .093"
Pin and Socket
Receptacle Housing,
2 Circuits, without
Mounting Ears, with
Ramps, Natural
2.36mm Diameter 3091027
Standard .093"
Pin and Socket
Receptacle Housing,
2 Circuits, with Pre-
bent Mounting Ears,
with Ramps, Natural
2.36mm Diameter 3091030
Standard Receptacle
Housing, 3 Circuit,
Natural
2.36mm Diameter 3091031
Standard .093"
Pin and Socket
Receptacle Housing,
3 Circuits, Single
Row, Natural
2.36mm Diameter 3091032
Standard .093"
Pin and Socket
Receptacle Housing,
3 Circuits, Single
Row, Natural
2.36mm Diameter 3091033
Standard .093"
Pin and Socket
Receptacle Housing,
3 Circuits, Single
Row, Free-Hanging,

without Passive Lock
Ramps, Natural
2.36mm Diameter 3091041
Standard .093"
Pin and Socket
Receptacle Housing,
4 Circuits, Single
Row, Natural
2.36mm Diameter 3091042
Standard .093"
Pin and Socket
Receptacle Housing,
4 Circuits, Single
Row, Natural
2.36mm Diameter 3091049
Standard .093"
Pin and Socket
Receptacle Housing,
4 Circuits, Dual Row,
without Mounting
Ears, Natural
2.36mm Diameter 3091061
Standard .093"
Pin and Socket
Receptacle Housing,
6 Circuits, Dual Row,
Natural
2.36mm Diameter 3091062
Standard .093"
Pin and Socket
Receptacle Housing,
6 Circuits, Dual Row,
Natural
2.36mm Diameter 3091063
Standard .093"
Pin and Socket
Receptacle Housing,
6 Circuits, Dual Row,
without Panel Mount
Ears, without Friction
Lock Ramp
2.36mm Diameter 3091064
Standard .093"
Pin and Socket
Receptacle Housing,
6 Circuits, Dual Row,
Natural
2.36mm Diameter 3091081
Standard .093"
Pin and Socket
Receptacle Housing,
3 Circuits, Single
Row, Natural
2.36mm Diameter 3091091
Standard .093"
Pin and Socket
Receptacle
Housings, 9 Circuits,
3 Rows, Natural
2.36mm Diameter 3091092
Standard .093"
Pin and Socket
Receptacle
Housings, 9 Circuits,
3 Rows, with Panel

Mount Ears, without
Passive Lock Ramp
2.36mm Diameter 3091093
Standard .093"
Pin and Socket
Receptacle
Housings, 9 Circuits,
3 Rows, without
Panel Mount Ears,
without Passive Lock
Ramp
2.36mm Diameter 3091094
Standard .093"
Pin and Socket
Receptacle
Housings, 9 Circuits,
3 Rows, Natural
2.36mm Diameter 3091121
Standard .093"
Pin and Socket
Receptacle Housing,
12 Circuits, 3 Rows,
Panel Mountable,
without Passive
Locking Ramps
2.36mm Diameter 3091125
Standard .093"
Pin and Socket
Receptacle Housing,
12 Circuits, 3 Rows,
Natural
2.36mm Diameter 3091126
Standard .093"
Pin and Socket
Receptacle Housing,
12 Circuits, 3 Rows,
Natural
2.36mm Diameter 3091151
Standard .093"
Pin and Socket
Receptacle Housing,
15 Circuits, 3 Rows,
with Pre-Bent
Mounting Ears,
without Lock Ramps
2.36mm Diameter 3091152
Standard .093"
Pin and Socket
Receptacle Housing,
15 Circuits, 3 Rows,
without Mounting
Ears, without Lock
Ramps
2.36mm Diameter 3091153
Standard .093"
Pin and Socket
Receptacle Housing,
15 Circuits, 3 Rows,
with Pre-bent
Mounting Ears, with
Lock Ramps
2.36mm Diameter 3091157
Standard .093"
Pin and Socket
Receptacle Housing,

15 Circuits, 3 Rows, without Mounting Ears, with Lock Ramps	
2.36mm Diameter Standard .093" Pin and Socket Receptacle Housing without Mounting Ears, Positive Lock, 2 Circuits	<u>3091161</u>
2.36mm Diameter Standard .093" Pin and Socket Plug Housing, 1 Circuit, Friction Lock, Natural	<u>3092011</u>
2.36mm Diameter Standard .093" Pin and Socket Plug Housing, 2 Circuits, with Standard Mounting Ears, Natural	<u>3092021</u>
2.36mm Diameter Standard .093" Pin and Socket Plug Housing, 2 Circuits, without Mounting Ears, Natural	<u>3092022</u>
2.36mm Diameter Standard .093" Pin and Socket Plug Housing, 3 Circuits, Single Row, Natural	<u>3092031</u>
2.36mm Diameter Standard .093" Pin and Socket Plug Housing, 3 Circuits, Single Row, Natural	<u>3092032</u>
2.36mm Diameter Standard .093" Pin and Socket Plug Housing, 4 Circuits, Single Row	<u>3092041</u>
2.36mm Diameter Standard .093" Pin and Socket Plug Housing, 4 Circuits, Single Row	<u>3092042</u>
2.36mm Diameter Standard .093" Pin and Socket Plug Housing, 4 Circuits, Dual Row, without Mounting Ears, Natural	<u>3092049</u>
2.36mm Diameter Standard .093" Pin and Socket Plug Housing, 6 Circuits, Dual Row	<u>3092061</u>
2.36mm Diameter Standard .093" Pin and Socket Plug	<u>3092062</u>

Housing, 6 Circuits, Dual Row 2.36mm Diameter Standard .093" Pin and Socket Plug	<u>3092092</u>
Housings, 9 Circuits, 3 Rows 2.36mm Diameter Standard .093" Pin and Socket Plug	<u>3092121</u>
Housing, 12 Circuits, 3 Rows 2.36mm Diameter Standard .093" Pin and Socket Plug	<u>3092122</u>
Housing, 12 Circuits, 3 Rows 2.36mm Diameter Standard .093" Pin and Socket Plug	<u>3092151</u>
Housing, 15 Circuits, 3 Rows, without Mounting Ears, with Pull Tabs, without Lock Windows	<u>3092159</u>
2.36mm Diameter Standard .093" Pin and Socket Plug Housing, 15 Circuits, 3 Rows, with Pre- Bent Mounting Ears, without Pull Tabs, with Lock Windows	<u>3092161</u>
2.36mm Diameter Standard .093" Pin and Socket Plug Housing without Mounting Ears, Positive Lock, 2 Circuits	<u>3096021</u>
2.36mm Diameter Standard .093" Pin and Socket Receptacle Housing, 2 Circuits, with Pre- bent Mounting Ears, with Ramps, Black	<u>3097022</u>
2.36mm Diameter Standard .093" Pin and Socket Plug Housing, 2 Circuits, without Mounting Ears, Black	<u>3097024</u>
2.36mm Diameter Standard .093" Pin and Socket Plug Housing, 2 Circuits, without Mounting Ears, Red	<u>3097032</u>
2.36mm Diameter Standard .093" Pin and Socket Plug Housing, 3 Circuits, Single Row, Black	

3.18mm Diameter, 3121022
HCS125, Pin and
Socket Receptacle
Housing, 2 Circuits,
Single Row, with and
without Panel Mount
Ears

3.18mm Diameter, 3121026
HCS125, Pin and
Socket Receptacle
Housing, Single
Row, 2 Circuits,
Natural (Translucent)

3.18mm Diameter, 3121036
HCS125, Pin and
Socket Receptacle
Housing, Single
Row, without Panel
Mount Ears, 3
Circuits, Natural,
Nylon 94V-2

3.18mm Diameter, 3121046
HCS125, Pin and
Socket Receptacle
Housing, Single
Row, 4 Circuits,
Natural (Translucent)

3.18mm Diameter, 3122022
HCS125, Pin
and Socket Plug
Housing, 2 Circuits,
Single Row, with and
without Panel Mount
Ears

3.18mm Diameter, 3122025
HCS125, Pin
and Socket Plug
Housing, Single
Row, with Panel
Mount Ears, 2
Circuits, Natural
(Translucent)

3.18mm Diameter, 3122026
HCS125, Pin
and Socket Plug
Housing, Single
Row, without Panel
Mount Ears, 2
Circuits, Natural
(Translucent)

3.18mm Diameter, 3122035
HCS125, Pin
and Socket Plug
Housing, Single
Row, with Panel
Mount Ears, 3
Circuits, Natural,
Nylon 94V-2

3.18mm Diameter, 3122036
HCS125, Pin
and Socket Plug
Housing, Single
Row, without Panel
Mount Ears, 3

Circuits, Natural,
Nylon 94V-2
3.18mm Diameter, 3122045
HCS125, Pin
and Socket Plug
Housing, Single
Row, with Panel
Mount Ears, 4
Circuits, Natural
(Translucent)
3.18mm Diameter, 3122046
HCS125, Pin
and Socket Plug
Housing, Single
Row, without Panel
Mount Ears, 4
Circuits, Natural
(Translucent)
Crimp Terminal 5121004
2482, 10-16 AWG,
Reel
Crimp Terminal 5121005
2482, 10-16 AWG,
Bag
Crimp Terminal 5121006
2482, 10-16 AWG,
Reel
Crimp Terminal 5121008
2482, 10-16 AWG,
Reel
Crimp Terminal 5121104
6482, 14-18 AWG,
Reel
Flat Blade Appliance 6021103
Motor Switch Crimp
Housing, 10 Circuits
Flat Blade Appliance 6022030
Water Valve Crimp
Housing, 3 Circuit,
Natural
Flat Blade Appliance 6023042
Defrost Timer Crimp
Housing, 4 Circuit, 4
Circuits
Flat Blade Appliance 6023103
Motor Switch Crimp
Housing, 10 Circuit,
10 Circuits
Flat Blade Appliance 6023104
Dryer Motor Crimp
Housing, 10 Circuit
KK 254 Cat Ear 8500030
Crimp Terminal
4809, 22-30 AWG,
Hot Tin Dip, 2.20mm
Insulation Crimp,
Reel
KK 254 Cat Ear 8500031
Crimp Terminal
4809, 22-30 AWG,
Hot Tin Dip, Reel
KK 254 Cat Ear 8500032
Crimp Terminal
4809, 22-30 AWG,
Hot Tin Dip, Bag

KK 254 Crimp Terminal, 22-30 AWG, Hot Tin (Sn) Dip Plating	<u>8500113</u>
KK 254 Crimp Terminal, 22-30 AWG, Bag, Hot Tin (Sn) Dip Plating	<u>8500114</u>
KK 254 Crimp Terminal 4809, 22-30 AWG, Hot Tin Dip, Reel	<u>8500135</u>
KK 254 Crimp Terminal 4809, 22-30 AWG, Tin, Bag	<u>8500136</u>
KK 254 Crimp Terminal, 22-30 AWG, Reel, Tin (Sn) Plating, Nickel (Ni) Under Plating	<u>8500159</u>
KK 254 Crimp Terminal, 22-30 AWG, Bag, Tin (Sn) Plating, Nickel (Ni) Under Plating	<u>8500160</u>
KK 100 Crp Term Std 22-30 Awg Unplt	<u>8510101</u>
KK 254 Crimp Terminal, 22-30 AWG, Reel, Tin (Sn), Nickel (Ni) Under Plating	<u>8510108</u>
KK 254 Crimp Terminal 6459, 22-30 AWG, Reel, Phosphor Bronze Tin (Sn)	<u>8520101</u>
KK .100 CRIMP TERMINAL 100MI MATTE TIN	<u>8520118</u>
KK 254 Crimp Terminal 6459, 22-30 AWG, Bag, Phosphor Bronze Tin (Sn)	<u>8520123</u>
3.96mm Pitch KK Crimp Terminal 2878, 18-20 AWG, Bag, Phosphor Bronze, Tin (Sn), Bifurcated	<u>8520127</u>
KK 156 TERMINAL CRIMP 1820 AWG	<u>8530814</u>
KK 254 Crimp Terminal, 22-30 AWG, Reel, Selective Gold (Au), Nickel (Ni) Under Plating	<u>8550101</u>
KK 254 Crimp Terminal, 22-30 AWG, Bag, Selective Gold (Au), Nickel (Ni) Under Plating	<u>8550102</u>

KK 254 Crimp Terminal 4809, 22-30 AWG, Selective Gold (Au), Reel	<u>8550110</u>
KK 254 Crimp Terminal 4809, 22-30 AWG, Selective Gold (Au), Bag	<u>8550111</u>
KK 254 Cat Ear Crimp Terminal 4809, 22-30 AWG, Selective Gold, Reel	<u>8550112</u>
KK 254 Crimp Terminal, 22-30 AWG, Reel, Selective Gold (Au), Nickel (Ni) Under Plating	<u>8550130</u>
KK 254 Crimp Terminal, 22-30 AWG, Bag, Selective Gold (Au), Nickel (Ni) Under Plating	<u>8550131</u>
KK 254 Crimp Terminal, 22-30 AWG, Reel, Gold (Au), Nickel (Ni) Under Plating	<u>8560109</u>
KK 254 Crimp Terminal, 22-30 AWG, Bag, Gold (Au), Nickel (Ni) Under Plating	<u>8560110</u>
KK 254 Crimp Terminal 4809, 22-30 AWG, Selective Gold (Au), Bag	<u>8560115</u>
KK 254 Crimp Terminal 4809, 22-30 AWG, Selective Gold (Au), Reel	<u>8560120</u>
KK 100 Crp Term Std 22-30 Awg SGold	<u>8650801</u>
KK 100 Crp Term Std 22-30 Awg SGold	<u>8650811</u>
KK 100 Crp Term Std 22-30 Awg SGold	<u>8650812</u>
KK 254 Crimp Terminal 6459, 22-30 AWG, Reel, Phosphor Bronze Gold (Au)	<u>8650813</u>
KK 254 Crimp Terminal 6459, 22-30 AWG, Bag, Phosphor Bronze Gold (Au)	<u>8650814</u>
KK 254 Crimp Terminal 6459, 22-30 AWG, Reel, Phosphor Bronze Selective Gold (Au)	<u>8650815</u>

KK 254 Crimp Terminal 6459, 22-30 AWG, Bag, Phosphor Bronze Selective Gold (Au)	<u>8650816</u>
KK 100 Crp Term Std 22-30 Awg SGold	<u>8650817</u>
3.96 and 5.08mm Pitch KK Cat Ear Crimp Terminal, Female, 18-24 AWG, Reel	<u>8700012</u>
SPOX Crimp Terminal, 18-24 AWG, Brass, Bag	<u>8701030</u>
3.96mm Pitch KK Crimp Housing, Edge Card Connector, Single-Sided, Polarized, Positive Lock, with Probe Hole, 3 Circuits	<u>9011036</u>
KK 396 PC Board Connector, Right Angle, Polyester Connector, 5.00µm Tin (Sn), 2 Circuits	<u>9481024</u>
KK 396 PC Board Connector, Right Angle, Polyester Connector, 5.00µm Tin (Sn), 2 Circuits	<u>9481104</u>
KK 396 PC Board Connector, Right Angle, Polyester Connector, 5.00µm Tin (Sn), 10 Circuits	<u>9481105</u>
KK 396 PC Board Connector, Top Entry, Polyester Connector, Gold (Au) Selective, 10 Circuits	<u>9483024</u>
KK 396 PC Board Connector, Bottom Entry, Polyester Connector, Gold (Au) Selective, 2 Circuits	<u>9483025</u>
KK 396 PC Board Connector, Right Angle, Polyester Connector, Gold (Au) Selective, 2 Circuits	<u>9483026</u>
KK 396 PC Board Connector, Top Entry, Polyester Connector, Gold (Au) Selective, 2 Circuits	<u>9483104</u>
KK 396 PC Board Connector, Bottom Entry, Polyester Connector, Gold (Au) Selective, 10 Circuits	<u>9483105</u>
KK 396 PC Board Connector, Right-Angle, Polyester Connector, Gold (Au) Selective, 10 Circuits	<u>9483106</u>
KK 396 PC Board Connector, Top	

Entry, Polyester
Connector, Gold (Au)
Selective, 10 Circuits
KK 396 PC Board 9484028
Connector, Top
Entry, Polyester
Connector, 5.00µm
Tin (Sn), 2 Circuits
KK 396 PC Board 9484029
Connector, Bottom
Entry, Polyester
Connector, 5.00µm
Tin (Sn), 2 Circuits
KK 396 PC Board 9484039
Connector, Bottom
Entry, Polyester
Connector, 5.00µm
Tin (Sn), 3 Circuits
KK 396 PC Board 9484099
Connector, Bottom
Entry, Polyester
Connector, 5.00µm
Tin (Sn), 9 Circuits
KK 396 PC Board 9484108
Connector, Top
Entry, Polyester
Connector, 5.00µm
Tin (Sn), 10 Circuits
KK 396 PC Board 9484109
Connector, Bottom
Entry, Polyester
Connector, 5.00µm
Tin (Sn), 10 Circuits
KK 396 PC Board 9484118
Connector, Top
Entry, Polyester
Connector, 5.00µm
Tin (Sn), 11 Circuits
KK 396 PC Board 9484149
Connector, Bottom
Entry, Polyester
Connector, 5.00µm
Tin (Sn), 14 Circuits
3.96mm Pitch SPOX 9501021
Crimp Housing,
Female, with Friction
Ramp, 2 Circuits,
Natural
3.96mm Pitch SPOX 9501023
Crimp Housing,
Female, with Friction
Ramp and Void, 2
Circuits, Natural
3.96mm Pitch SPOX 9501031
Crimp Housing,
Female, with Friction
Ramp, 3 Circuits,
Natural
3.96mm Pitch SPOX 9501033
Crimp Housing,
Female, with Friction
Ramp and Void, 3
Circuits, Natural
3.96mm Pitch SPOX 9501041
Crimp Housing,

Female, with Friction
Ramp, 4 Circuits,
Natural
3.96mm Pitch SPOX [9501043](#)
Crimp Housing,
Female, with Friction
Ramp and Void, 4
Circuits, Natural
3.96mm Pitch SPOX [9501051](#)
Crimp Housing,
Female, with Friction
Ramp, 5 Circuits,
Natural
3.96mm Pitch SPOX [9501053](#)
Crimp Housing,
Female, with Friction
Ramp and Void, 5
Circuits, Natural
3.96mm Pitch SPOX [9501061](#)
Crimp Housing,
Female, with Friction
Ramp, 6 Circuits,
Natural
3.96mm Pitch SPOX [9501063](#)
Crimp Housing,
Female, with Friction
Ramp and Void, 6
Circuits, Natural
3.96mm Pitch SPOX [9501071](#)
Crimp Housing,
Female, with Friction
Ramp, 7 Circuits,
Natural
3.96mm Pitch SPOX [9501073](#)
Crimp Housing,
Female, with Friction
Ramp and Void, 7
Circuits, Natural
3.96mm Pitch SPOX [9501081](#)
Crimp Housing,
Female, with Friction
Ramp, 8 Circuits,
Natural
3.96mm Pitch SPOX [9501083](#)
Crimp Housing,
Female, with Friction
Ramp and Void, 8
Circuits, Natural
3.96mm Pitch SPOX [9501091](#)
Crimp Housing,
Female, with Friction
Ramp, 9 Circuits,
Natural
3.96mm Pitch SPOX [9501101](#)
Crimp Housing,
Female, with Friction
Ramp, 10 Circuits,
Natural
3.96mm Pitch SPOX [9501103](#)
Crimp Housing,
Female, with Friction
Ramp and Void, 10
Circuits, Natural
3.96mm Pitch SPOX [9501111](#)
Crimp Housing,

Female, with Friction
Ramp, 11 Circuits,
Natural
3.96mm Pitch SPOX 9501113
Crimp Housing,
Female, with Friction
Ramp and Void, 11
Circuits, Natural
3.96mm Pitch SPOX 9501121
Crimp Housing,
Female, with Friction
Ramp, 12 Circuits,
Natural
KK 3.96mm Crimp 9503021
Terminal Housing,
Friction Ramp, 2
Circuits, Natural
KK 3.96mm Crimp 9503031
Terminal Housing,
Friction Ramp, 3
Circuits, Natural
KK 3.96mm Crimp 9503041
Terminal Housing,
Friction Ramp, 4
Circuits, Natural
KK 3.96mm Crimp 9503051
Terminal Housing,
Friction Ramp, 5
Circuits, Natural
KK 3.96mm Crimp 9503061
Terminal Housing,
Friction Ramp, 6
Circuits, Natural
KK 3.96mm Crimp 9503071
Terminal Housing,
Friction Ramp, 7
Circuits, Natural
KK 3.96mm Crimp 9503081
Terminal Housing,
Friction Ramp, 8
Circuits, Natural
KK 3.96mm Crimp 9503091
Terminal Housing,
Friction Ramp, 9
Circuits, Natural
KK 3.96mm Crimp 9503101
Terminal Housing,
Friction Ramp, 10
Circuits, Natural
KK 3.96mm Crimp 9503111
Terminal Housing,
Friction Ramp, 11
Circuits, Natural
KK 3.96mm Crimp 9503121
Terminal Housing,
Friction Ramp, 12
Circuits, Natural
KK 3.96mm Crimp 9503131
Terminal Housing,
Friction Ramp, 13
Circuits, Natural
KK 3.96mm Crimp 9503141
Terminal Housing,
Friction Ramp, 14
Circuits, Natural

KK 3.96mm Crimp Terminal Housing, Friction Ramp, 15 Circuits, Natural	<u>9503151</u>
KK 3.96mm Crimp Terminal Housing, Friction Ramp, 16 Circuits, Natural	<u>9503161</u>
KK 3.96mm Crimp Terminal Housing, Friction Ramp, 17 Circuits, Natural	<u>9503171</u>
KK 3.96mm Crimp Terminal Housing, Friction Ramp, 18 Circuits, Natural	<u>9503181</u>
KK 3.96mm Crimp Terminal Housing, Friction Ramp, 19 Circuits, Natural	<u>9503191</u>
KK 3.96mm Crimp Terminal Housing, Friction Ramp, 20 Circuits, Natural	<u>9503201</u>
KK 3.96mm Crimp Terminal Housing, Friction Ramp, 21 Circuits, Natural	<u>9503211</u>
KK 3.96mm Crimp Terminal Housing, Friction Ramp, 22 Circuits, Natural	<u>9503221</u>
KK 3.96mm Crimp Terminal Housing, Friction Ramp, 23 Circuits, Natural	<u>9503231</u>
KK 3.96mm Crimp Terminal Housing, Friction Ramp, 24 Circuits, Natural	<u>9503241</u>
KK 3.96mm Crimp Terminal Housing, 2 Circuits, Natural	<u>9507021</u>
KK 3.96mm Crimp Terminal Housing, 3 Circuits, Natural	<u>9507031</u>
KK 3.96mm Crimp Terminal Housing, 4 Circuits, Natural	<u>9507041</u>
KK 3.96mm Crimp Terminal Housing, 5 Circuits, Natural	<u>9507051</u>
KK 3.96mm Crimp Terminal Housing, 6 Circuits, Natural	<u>9507061</u>
KK 3.96mm Crimp Terminal Housing, 7 Circuits, Natural	<u>9507071</u>
KK 3.96mm Crimp Terminal Housing, 8 Circuits, Natural	<u>9507081</u>
KK 3.96mm Crimp Terminal Housing, 9 Circuits, Natural	<u>9507091</u>

KK 3.96mm Crimp 9507101
Terminal Housing, 10
Circuits, Natural
KK 3.96mm Crimp 9507111
Terminal Housing, 11
Circuits, Natural
KK 3.96mm Crimp 9507121
Terminal Housing, 12
Circuits, Natural
KK 3.96mm Crimp 9507131
Terminal Housing, 13
Circuits, Natural
KK 3.96mm Crimp 9507141
Terminal Housing, 14
Circuits, Natural
KK 3.96mm Crimp 9507151
Terminal Housing, 15
Circuits, Natural
KK 3.96mm Crimp 9507161
Terminal Housing, 16
Circuits, Natural
KK 3.96mm Crimp 9507171
Terminal Housing, 17
Circuits, Natural
KK 3.96mm Crimp 9507181
Terminal Housing, 18
Circuits, Natural
KK 3.96mm Crimp 9507191
Terminal Housing, 19
Circuits, Natural
KK 3.96mm Crimp 9507201
Terminal Housing, 20
Circuits, Natural
KK 3.96mm Crimp 9507211
Terminal Housing, 21
Circuits, Natural
KK 3.96mm Crimp 9507221
Terminal Housing, 22
Circuits, Natural
KK 3.96mm Crimp 9507231
Terminal Housing, 23
Circuits, Natural
KK 3.96mm Crimp 9507241
Terminal Housing, 24
Circuits, Natural
KK 3.96mm Crimp 9508020
Terminal Housing, 2
Circuits, Natural
KK 3.96mm Crimp 9508021
Terminal Housing,
Friction Ramp, 2
Circuits, Natural
KK 3.96mm Crimp 9508023
Terminal Housing,
Friction Ramp, 2
Circuits, Natural
KK 3.96mm Crimp 9508030
Terminal Housing, 3
Circuits, Natural
KK 3.96mm Crimp 9508033
Terminal Housing,
Friction Ramp, 3
Circuits, Natural
KK 3.96mm Crimp 9508041
Terminal Housing,

Friction Ramp, 4 Circuits, Natural KK 3.96mm Crimp Terminal Housing, 5	<u>9508050</u>
Circuits, Natural KK 3.96mm Crimp Terminal Housing, Friction Ramp, 5	<u>9508051</u>
Circuits, Natural KK 3.96mm Crimp Terminal Housing, Friction Ramp, 5	<u>9508053</u>
Circuits, Natural KK 3.96mm Crimp Terminal Housing, Friction Ramp, 6	<u>9508063</u>
Circuits, Natural KK 3.96mm Crimp Terminal Housing, Friction Ramp, 7	<u>9508071</u>
Circuits, Natural KK 3.96mm Crimp Terminal Housing, 8	<u>9508080</u>
Circuits, Natural KK 3.96mm Crimp Terminal Housing, Friction Ramp, 9	<u>9508093</u>
Circuits, Natural KK 3.96mm Crimp Terminal Housing, 10	<u>9508100</u>
Circuits, Natural KK 3.96mm Crimp Terminal Housing, Friction Ramp, 10	<u>9508101</u>
Circuits, Natural KK 3.96mm Crimp Terminal Housing, Friction Ramp, 10	<u>9508103</u>
Circuits, Natural KK 3.96mm Crimp Terminal Housing, Friction Ramp, 11	<u>9508111</u>
Circuits, Natural KK 3.96mm Crimp Terminal Housing, 12	<u>9508120</u>
Circuits, Natural KK 3.96mm Crimp Terminal Housing, Friction Ramp, 12	<u>9508123</u>
Circuits, Natural KK 3.96mm Crimp Terminal Housing, Friction Ramp, 13	<u>9508131</u>
Circuits, Natural KK 3.96mm Crimp Terminal Housing, Friction Ramp, 13	<u>9508133</u>
Circuits, Natural KK 3.96mm Crimp Terminal Housing, Friction Ramp, 14	<u>9508141</u>
Circuits, Natural 3.96mm Pitch KK Crimp Housing, Female, Friction	<u>9524024</u>

Ramp, 2 Circuits, Natural	
3.96mm Pitch KK Crimp Housing, Female, Friction	<u>9524034</u>
Ramp, 3 Circuits, Natural	
3.96mm Pitch KK Crimp Housing, Female, Friction	<u>9524044</u>
Ramp, 4 Circuits, Natural	
3.96mm Pitch KK Crimp Housing, Female, Friction	<u>9524054</u>
Ramp, 5 Circuits, Natural	
3.96mm Pitch KK Crimp Housing, Female, Friction	<u>9524064</u>
Ramp, 6 Circuits, Natural	
SPOX and KK 396 Wire-to-Board Header, Vertical, with Friction Lock, 2 Circuits	<u>9652028</u>
SPOX and KK 396 Wire-to-Board Header, Vertical, with Friction Lock, with Void, 2 Circuits	<u>9652029</u>
SPOX and KK 396 Wire-to-Board Header, Vertical, with Friction Lock, 3 Circuits	<u>9652038</u>
SPOX and KK 396 Wire-to-Board Header, Vertical, with Friction Lock, with Void, 3 Circuits	<u>9652039</u>
SPOX and KK 396 Wire-to-Board Header, Vertical, with Friction Lock, 4 Circuits	<u>9652048</u>
SPOX and KK 396 Wire-to-Board Header, Vertical, with Friction Lock, with Void, 4 Circuits	<u>9652049</u>
SPOX and KK 396 Wire-to-Board Header, Vertical, with Friction Lock, 5 Circuits	<u>9652058</u>
SPOX and KK 396 Wire-to-Board Header, Vertical, with Friction Lock, 6 Circuits	<u>9652068</u>
SPOX and KK 396 Wire-to-Board Header, Vertical, with	<u>9652069</u>

Friction Lock, with Void, 6 Circuits SPOX and KK	<u>9652078</u>
396 Wire-to-Board Header, Vertical, with Friction Lock, 7 Circuits SPOX and KK	<u>9652079</u>
396 Wire-to-Board Header, Vertical, with Friction Lock, with Void, 7 Circuits SPOX and KK	<u>9652088</u>
396 Wire-to-Board Header, Vertical, with Friction Lock, 8 Circuits SPOX and KK	<u>9652089</u>
396 Wire-to-Board Header, Vertical, with Friction Lock, with Void, 8 Circuits KK 3.96mm Crimp	<u>9930200</u>
Terminal Housing, Friction Ramp, 2 Circuits, Glow-Wire Capable KK 3.96mm Crimp	<u>9930300</u>
Terminal Housing, Friction Ramp, 3 Circuits, Glow-Wire Capable KK 3.96mm Crimp	<u>9930400</u>
Terminal Housing, Friction Ramp, 4 Circuits, Glow-Wire Capable KK 3.96mm Crimp	<u>9930500</u>
Terminal Housing, Friction Ramp, 5 Circuits, Glow-Wire Capable KK 3.96mm Crimp	<u>9930600</u>
Terminal Housing, Friction Ramp, 6 Circuits, Glow-Wire Capable KK 3.96mm Crimp	<u>9930700</u>
Terminal Housing, Friction Ramp, 7 Circuits, Glow-Wire Capable KK 3.96mm Crimp	<u>9930800</u>
Terminal Housing, Friction Ramp, 8 Circuits, Glow-Wire Capable KK 3.96mm Crimp	<u>9930900</u>
Terminal Housing, Friction Ramp, 9 Circuits, Glow-Wire Capable KK 3.96mm Crimp	<u>9931000</u>
Terminal Housing, Friction Ramp, 10	

Circuits, Glow-Wire Capable	
KK 3.96mm Crimp Terminal Housing, Friction Ramp, 11	<u>9931100</u>
Circuits, Glow-Wire Capable	
KK 3.96mm Crimp Terminal Housing, Friction Ramp, 12	<u>9931200</u>
Circuits, Glow-Wire Capable	
15 PIN MICRO-D FEMAL ASSY M8351309B11	<u>10008503</u>
15/C METALSHELL RECEPT.WIRED	<u>10008637</u>
15/C METAL SHELL PLUG WIRED	<u>10008638</u>
25/C RECEPT. HARNESS ASSY	<u>10008645</u>
37/C RECEPT. HARNESS ASSY	<u>10008647</u>
STAT. 3CKT RECEPT. PIN 1/4 IN 1 FT	<u>10008653</u>
R/A 3CKT PLUG SOC. INSERT PUR 12 FEET	<u>10008654</u>
15/C M SHELL RECEPT. WIRED 72.0	<u>10008655</u>
5.08mm Pitch KK Crimp Terminal Housing, 2 Circuits, Natural	<u>10011024</u>
5.08mm Pitch KK Crimp Terminal Housing, 3 Circuits, Natural	<u>10011034</u>
5.08mm Pitch KK Crimp Terminal Housing, 4 Circuits, Natural	<u>10011044</u>
5.08mm Pitch KK Crimp Terminal Housing, 5 Circuits, Natural	<u>10011054</u>
5.08mm Pitch KK Crimp Terminal Housing, 6 Circuits, Natural	<u>10011064</u>
5.08mm Pitch KK Crimp Terminal Housing, 7 Circuits, Natural	<u>10011074</u>
5.08mm Pitch KK Crimp Terminal Housing, 8 Circuits, Natural	<u>10011084</u>
5.08mm Pitch KK Crimp Terminal Housing, 9 Circuits, Natural	<u>10011094</u>

5.08mm Pitch KK [10011104](#)
Crimp Terminal
Housing, 10 Circuits,
Natural

5.08mm Pitch KK [10011114](#)
Crimp Terminal
Housing, 11 Circuits,
Natural

5.08mm Pitch KK [10011124](#)
Crimp Terminal
Housing, 12 Circuits,
Natural

5.08mm Pitch SPOX [10013026](#)
Crimp Terminal
Housing, 2 Circuits,
Natural

5.08mm Pitch SPOX [10013036](#)
Crimp Terminal
Housing, 3 Circuits,
Natural

5.08mm Pitch SPOX [10013046](#)
Crimp Terminal
Housing, 4 Circuits,
Natural

5.08mm Pitch SPOX [10013056](#)
Crimp Terminal
Housing, 5 Circuits,
Natural

5.08mm Pitch SPOX [10013066](#)
Crimp Terminal
Housing, 6 Circuits,
Natural

5.08mm Pitch SPOX [10013076](#)
Crimp Terminal
Housing, 7 Circuits,
Natural

5.08mm Pitch SPOX [10013086](#)
Crimp Terminal
Housing, 8 Circuits,
Natural

5.08mm Pitch SPOX [10013096](#)
Crimp Terminal
Housing, 9 Circuits,
Natural

KK PC Board [10021022](#)
Connector, Bottom
Entry Mount Style B,
1.00µm Tin (Sn), 2
Circuits

KK PC Board [10021032](#)
Connector, Bottom
Entry Mount Style B,
1.00µm Tin (Sn), 3
Circuits

KK PC Board [10021042](#)
Connector, Bottom
Entry Mount Style B,
1.00µm Tin (Sn), 4
Circuits

KK PC Board [10021052](#)
Connector, Bottom
Entry Mount Style B,
1.00µm Tin (Sn), 5
Circuits

KK PC Board Connector, Bottom Entry Mount Style B, 1.00µm Tin (Sn), 6 Circuits	<u>10021062</u>
KK PC Board Connector, Bottom Entry Mount Style B, 1.00µm Tin (Sn), 7 Circuits	<u>10021072</u>
KK PC Board Connector, Bottom Entry Mount Style B, 1.00µm Tin (Sn), 8 Circuits	<u>10021082</u>
KK PC Board Connector, Bottom Entry Mount Style B, 1.00µm Tin (Sn), 9 Circuits	<u>10021092</u>
KK PC Board Connector, Bottom Entry Mount Style B, 1.00µm Tin (Sn), 10 Circuits	<u>10021102</u>
KK PC Board Connector, Bottom Entry Mount Style B, 1.00µm Tin (Sn), 11 Circuits	<u>10021112</u>
KK PC Board Connector, Bottom Entry Mount Style B, 1.00µm Tin (Sn), 12 Circuits	<u>10021122</u>
5.08mm Pitch KK Header, Right Angle, Square Pin, 4 Circuits, Tin (Sn) Plating	<u>10061045</u>
KK Header, Right Angle, Square Pin, 5 Circuits, Tin (Sn) Plating	<u>10061055</u>
KK Header, Vertical, Round Pin, 2 Circuits, Tin (Sn) Plating, Pin Length 19.05mm	<u>10081021</u>
KK Header, Vertical, Round Pin, 2 Circuits, Tin (Sn) Plating, Pin Length 23.80mm	<u>10081022</u>
KK Header, Vertical, Round Pin, 2 Circuits, Tin (Sn) Plating, Pin Length 20.32mm	<u>10081029</u>
KK Header, Vertical, Round Pin, 3 Circuits, Tin (Sn) Plating, Pin Length 19.05mm	<u>10081031</u>

KK Header, Vertical, [10081039](#)
Round Pin, 3
Circuits, Tin (Sn)
Plating, Pin Length
20.32mm

KK Header, Vertical, [10081041](#)
Round Pin, 4
Circuits, Tin (Sn)
Plating, Pin Length
19.05mm

KK Header, Vertical, [10081049](#)
Round Pin, 4
Circuits, Tin (Sn)
Plating, Pin Length
20.32mm

KK Header, Vertical, [10081051](#)
Round Pin, 5
Circuits, Tin (Sn)
Plating, Pin Length
19.05mm

KK Header, Vertical, [10081061](#)
Round Pin, 6
Circuits, Tin (Sn)
Plating, Pin Length
19.05mm

KK Header, Vertical, [10081069](#)
Round Pin, 6
Circuits, Tin (Sn)
Plating, Pin Length
20.32mm

KK Header, Vertical, [10081071](#)
Round Pin, 7
Circuits, Tin (Sn)
Plating, Pin Length
19.05mm

KK Header, Vertical, [10081081](#)
Round Pin, 8
Circuits, Tin (Sn)
Plating, Pin Length
19.05mm

KK Header, Vertical, [10081082](#)
Round Pin, 8
Circuits, Tin (Sn)
Plating, Pin Length
23.80mm

KK Header, Vertical, [10081089](#)
Round Pin, 8
Circuits, Tin (Sn)
Plating, Pin Length
20.32mm

KK Header, Vertical, [10081091](#)
Round Pin, 9
Circuits, Tin (Sn)
Plating, Pin Length
19.05mm

KK Header, Vertical, [10081101](#)
Round Pin, 10
Circuits, Tin (Sn)
Plating, Pin Length
19.05mm

KK Header, Vertical, [10081102](#)
Round Pin, 10
Circuits, Tin (Sn)
Plating, Pin Length
23.80mm

KK Header, Vertical, 10081111
Round Pin, 11
Circuits, Tin (Sn)
Plating, Pin Length
19.05mm

KK Header, Vertical, 10081112
Round Pin, 11
Circuits, Tin (Sn)
Plating, Pin Length
23.80mm

KK Header, Vertical, 10081121
Round Pin, 12
Circuits, Tin (Sn)
Plating, Pin Length
19.05mm

KK Header, Vertical, 10085021
with Polarizing
Backwall, 2 Circuits,
Tin (Sn) Plating

KK Header, Vertical, 10085031
with Polarizing
Backwall, 3 Circuits,
Tin (Sn) Plating

KK Header, Vertical, 10085041
with Polarizing
Backwall, 4 Circuits,
Tin (Sn) Plating

KK Header, Vertical, 10085051
with Polarizing
Backwall, 5 Circuits,
Tin (Sn) Plating

KK Header, Vertical, 10085061
with Polarizing
Backwall, 6 Circuits,
Tin (Sn) Plating

KK Header, Vertical, 10085071
with Polarizing
Backwall, 7 Circuits,
Tin (Sn) Plating

KK Header, Vertical, 10085081
with Polarizing
Backwall, 8 Circuits,
Tin (Sn) Plating

KK Header, Vertical, 10085091
with Polarizing
Backwall, 9 Circuits,
Tin (Sn) Plating

KK Header, Vertical, 10085101
with Polarizing
Backwall, 10 Circuits,
Tin (Sn) Plating

KK Header, Vertical, 10085111
with Polarizing
Backwall, 11 Circuits,
Tin (Sn) Plating

KK Header, Vertical, 10085121
with Polarizing
Backwall, 12 Circuits,
Tin (Sn) Plating

KK PC Board 10101021
Connector, Right-
Angle Mount Style A,
1.00µm Tin (Sn), 2
Circuits

KK PC Board Connector, Top Entry Mount Style C, 1.00µm Tin (Sn), 2 Circuits	<u>10101023</u>
KK PC Board Connector, Right- Angle Mount Style A, 1.00µm Tin (Sn), 3 Circuits	<u>10101031</u>
KK PC Board Connector, Top Entry Mount Style C, 1.00µm Tin (Sn), 3 Circuits	<u>10101033</u>
KK PC Board Connector, Right- Angle Mount Style A, 1.00µm Tin (Sn), 4 Circuits	<u>10101041</u>
KK PC Board Connector, Top Entry Mount Style C, 1.00µm Tin (Sn), 4 Circuits	<u>10101043</u>
KK PC Board Connector, Right- Angle Mount Style A, 1.00µm Tin (Sn), 5 Circuits	<u>10101051</u>
KK PC Board Connector, Top Entry Mount Style C, 1.00µm Tin (Sn), 5 Circuits	<u>10101053</u>
KK PC Board Connector, Right- Angle Mount Style A, 1.00µm Tin (Sn), 6 Circuits	<u>10101061</u>
KK PC Board Connector, Top Entry Mount Style C, 1.00µm Tin (Sn), 6 Circuits	<u>10101063</u>
KK PC Board Connector, Right- Angle Mount Style A, 1.00µm Tin (Sn), 7 Circuits	<u>10101071</u>
KK PC Board Connector, Top Entry Mount Style C, 1.00µm Tin (Sn), 7 Circuits	<u>10101073</u>
KK PC Board Connector, Right- Angle Mount Style A, 1.00µm Tin (Sn), 8 Circuits	<u>10101081</u>
KK PC Board Connector, Top Entry Mount Style C, 1.00µm Tin (Sn), 8 Circuits	<u>10101083</u>

KK PC Board Connector, Right- Angle Mount Style A, 1.00µm Tin (Sn), 9 Circuits	<u>10101091</u>
KK PC Board Connector, Top Entry Mount Style C, 1.00µm Tin (Sn), 9 Circuits	<u>10101093</u>
KK PC Board Connector, Right- Angle Mount Style A, 1.00µm Tin (Sn), 10 Circuits	<u>10101101</u>
KK PC Board Connector, Top Entry Mount Style C, 1.00µm Tin (Sn), 10 Circuits	<u>10101103</u>
KK PC Board Connector, Right- Angle Mount Style A, 1.00µm Tin (Sn), 11 Circuits	<u>10101111</u>
KK PC Board Connector, Top Entry Mount Style C, 1.00µm Tin (Sn), 11 Circuits	<u>10101113</u>
KK PC Board Connector, Right- Angle Mount Style A, 1.00µm Tin (Sn), 12 Circuits	<u>10101121</u>
KK PC Board Connector, Top Entry Mount Style C, 1.00µm Tin (Sn), 12 Circuits	<u>10101123</u>
KK 254 Crimp Housing, High Pressure, 2 Circuits, Natural	<u>10112023</u>
KK 254 Crimp Housing, High Pressure, 3 Circuits, Natural	<u>10112033</u>
KK 254 Crimp Housing, High Pressure, 4 Circuits, Natural	<u>10112043</u>
KK 254 Crimp Housing, High Pressure, 5 Circuits, Natural	<u>10112053</u>
KK 254 Crimp Housing, High Pressure, 6 Circuits, Natural	<u>10112063</u>
KK 254 Crimp Housing, High Pressure, 7 Circuits, Natural	<u>10112073</u>

KK 254 Crimp Housing, High Pressure, 8 Circuits, Natural	<u>10112083</u>
KK 254 Crimp Housing, High Pressure, 9 Circuits, Natural	<u>10112093</u>
KK 254 Crimp Housing, High Pressure, 10 Circuits, Natural	<u>10112103</u>
KK 254 Crimp Housing, High Pressure, 11 Circuit	<u>10112113</u>
KK 254 Crimp Housing, High Pressure, 12 Circuits, Natural	<u>10112123</u>
KK 254 Crimp Housing, High Pressure, 13 Circuits, Natural	<u>10112133</u>
KK 254 Crimp Housing, High Pressure, 14 Circuits, Natural	<u>10112143</u>
KK 254 Crimp Housing, High Pressure, 15 Circuits, Natural	<u>10112153</u>
KK 254 Crimp Housing, High Pressure, 16 Circuits, Natural	<u>10112163</u>
KK 254 Crimp Housing, High Pressure, 17 Circuits, Natural	<u>10112173</u>
KK 254 Crimp Housing, High Pressure, 18 Circuits, Natural	<u>10112183</u>
2.36mm Diameter Standard .093" Pin and Socket Header, Shrouded, 3 Circuits, 2 Male Terminals	<u>10181031</u>
2.36mm Diameter Standard .093" Pin and Socket Header, Shrouded, 3 Circuits, 3 Male Terminals	<u>10181032</u>
2.36mm Diameter Standard .093" Pin and Socket Header, Shrouded, 3 Circuits, 1 Female Terminal, 2 Male Terminals	<u>10181033</u>
2.36mm Diameter Standard .093" Pin and Socket Header, Shrouded, 3 Circuits, 1 Female Terminal, 2 Male Terminals	<u>10181034</u>

2.36mm Diameter Standard .093" Pin and Socket Header, Shrouded, 3 Circuits, 2 Male Terminals, 1 Female Terminal	<u>10181035</u>
2.36mm Diameter Standard .093" Pin and Socket Header, Shrouded, 3 Circuits, 1 Female Terminal, 1 Male Terminal	<u>10181036</u>
2.36mm Diameter Standard .093" Pin and Socket Header, Shrouded, 3 Circuits, 2 Female Terminals, 1 Male Terminal	<u>10181037</u>
2.36mm Diameter Standard .093" Pin and Socket Header, Shrouded, 3 Circuits, 3 Female Terminals	<u>10181038</u>
2.36mm Diameter Standard .093" Pin and Socket Header, Shrouded, 4 Circuits, 1 Female Terminal, 1 Male Terminal	<u>10181040</u>
2.36mm Diameter Standard .093" Pin and Socket Header, Shrouded, 4 Circuits, 4 Male Terminals	<u>10181041</u>
2.36mm Diameter Standard .093" Pin and Socket Header, Shrouded, 4 Circuits, 4 Female Terminals	<u>10181042</u>
2.36mm Diameter Standard .093" Pin and Socket Header, Shrouded, 4 Circuits, 1 Female Terminal, 3 Male Terminals	<u>10181043</u>
2.36mm Diameter Standard .093" Pin and Socket Header, Shrouded, 4 Circuits, 3 Female Terminals, 1 Male Terminals	<u>10181044</u>
2.36mm Diameter Standard .093" Pin and Socket Header, Shrouded, 4 Circuits, 2 Male Terminals, 2 Female Terminals	<u>10181045</u>
2.36mm Diameter Standard .093" Pin and Socket Header, Shrouded, 4 Circuits, 3 Male Terminals, 1 Female Terminal	<u>10181046</u>
2.36mm Diameter Standard .093" Pin	<u>10181047</u>

and Socket Header, Shrouded, 4 Circuits, 1 Female Terminal, 3 Male Terminals 2.36mm Diameter	<u>10181048</u>
Standard .093" Pin and Socket Header, Shrouded, 4 Circuits, 1 Female Terminal, 2 Male Terminals, 1 Female Terminal, 1 Male Terminal 2.36mm Diameter	<u>10181049</u>
Standard .093" Pin and Socket Header, Shrouded, 4 Circuits, 2 Female Terminals, 1 Male Terminal, 1 Female Terminal, 1 Male Terminal, 1 Female Terminal 2.36mm Diameter	<u>10181050</u>
Standard .093" Pin and Socket Header, Shrouded, 4 Circuits, 2 Female Terminals, 2 Male Terminals 2.36mm Diameter	<u>10181090</u>
Standard .093" Pin and Socket Header, Shrouded, 9 Circuits, 9 Male Terminals 2.36mm Diameter	<u>10181091</u>
Standard .093" Pin and Socket Header, 3 Rows, Shrouded, Unfilled Polyester, UL 94V-0, 9 Circuits, 9 Female Terminals 2.36mm Diameter	<u>10181120</u>
Standard .093" Pin and Socket Header, Shrouded, 12 Circuits, 12 Male Terminals 2.36mm Diameter	<u>10181122</u>
Standard .093" Pin and Socket Header, 3 Rows, Shrouded, Unfilled Polyester, UL 94V-0, 12 Circuits, 12 Female Terminals	

This document was generated on 09/21/2019

PLEASE CHECK WWW.MOLEX.COM FOR LATEST PART INFORMATION

Mouser Electronics

Authorized Distributor

Click to View Pricing, Inventory, Delivery & Lifecycle Information:

[Molex:](#)

[62202-2060](#)