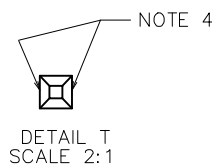
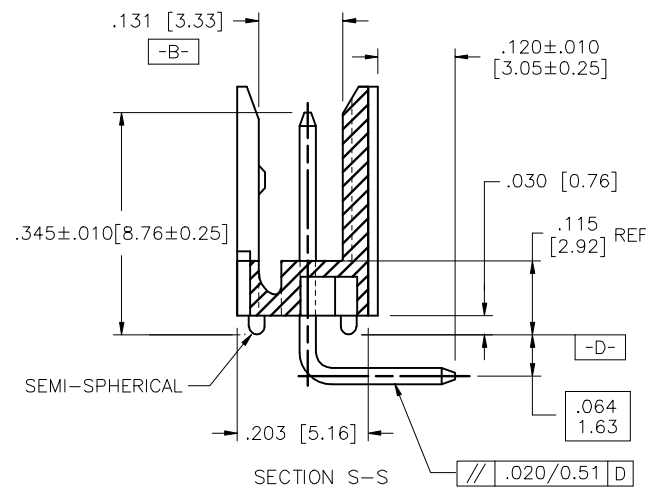
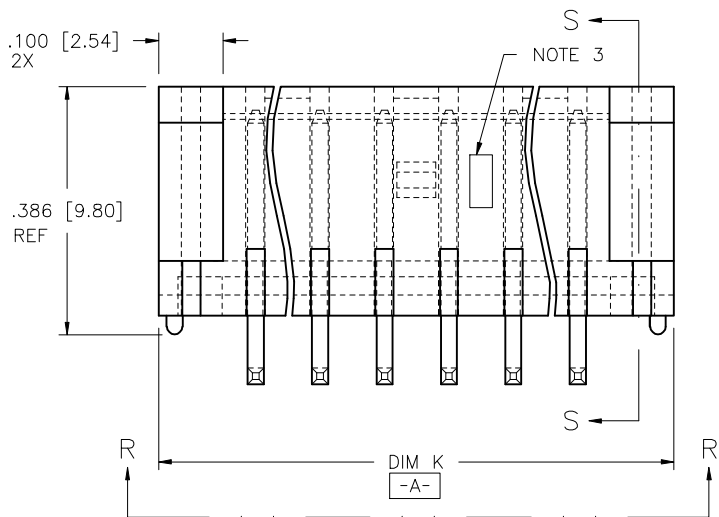
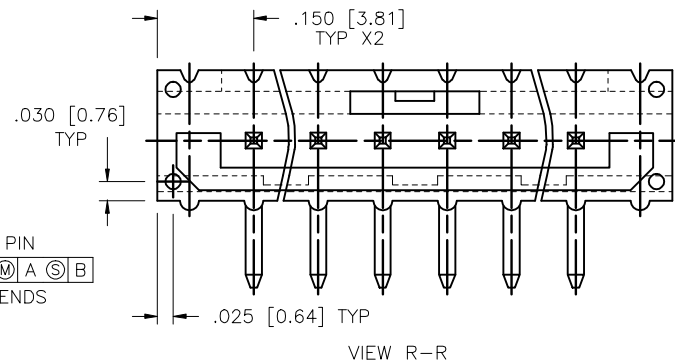
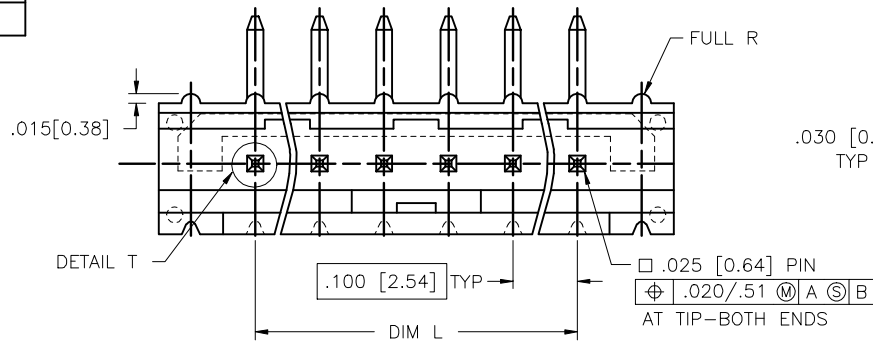


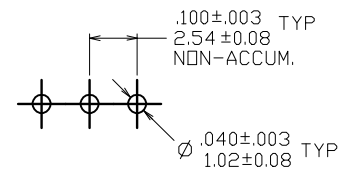
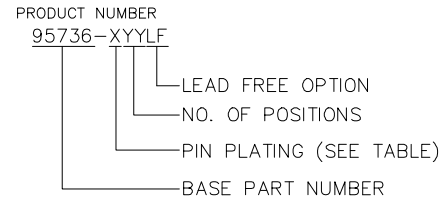
PRODUCT NO.  
SEE TABLE



mat'l. code				surface ISO 1302	tolerance ISO 406 ISO 1101	projection ISO 1002	product family HEADER
ltr	ecn no	dr	date	tolerances unless otherwise specified		INCH/MM	title CLINCHER™ LATCH HEADER RIGHT ANGLE
B	V60842	EPK	6/3/96	angles	.XX±.01/XX±0.3		
C	C71289	HTB	9/22/97	linear	.XXX±.006/XX±0.13	scale 4:1	dwg no 95736
D	M05-0109	MHT	7/15/05	0°±2'	.XXX±.0020/XXX±0.051		
E	M06-0052	MHT	1/30/06	dr	T.BREWBAKER 5/23/95	FCJ	sheet 1 of 2 size A3
F	M06-0233	AGS	6/13/06	engr	T. HANNA 5/23/95		type Product Customer Drawing
G	M06-0469	MHT	11/28/06	chr	T. HANNA 5/23/95		
H	M09-0059	MHT	4/16/09	appd	T. HANNA 7/6/95		
sheet	revision		H	H			
index	sheet	1	2				

PRODUCT NO. NOTE 5	NO. OF POSITIONS	DIM K		DIM L		NOTES
		ENGLISH	METRIC	ENGLISH	METRIC	
95736-X02	1 X 2	0.400	10.16	0.100	2.54	-
95736-X03	1 X 3	0.500	12.70	0.200	5.08	-
95736-X04	1 X 4	0.600	15.24	0.300	7.62	-
95736-X05	1 X 5	0.700	17.78	0.400	10.16	-
95736-X06	1 X 6	0.800	20.32	0.500	12.70	-
95736-X07	1 X 7	0.900	22.86	0.600	15.24	-
95736-X08	1 X 8	1.000	25.40	0.700	17.78	-
95736-X09	1 X 9	1.100	27.94	0.800	20.32	-
95736-X10	1 X 10	1.200	30.48	0.900	22.86	-
95736-X11	1 X 11	1.300	33.02	1.000	25.40	-
95736-X12	1 X 12	1.400	35.56	1.100	27.94	-
95736-X13	1 X 13	1.500	38.10	1.200	30.48	-
95736-X14	1 X 14	1.600	40.64	1.300	33.02	-
95736-X15	1 X 15	1.700	43.18	1.400	35.56	-
95736-X16	1 X 16	1.800	45.72	1.500	38.10	-

DASH NO	OVERPLATING	UNDERPLATING
-1YY	30u"/.76u MIN (SEE NOTE 8)	50u"/1.27u MIN Ni
-1YYLF	30u"/.76u MIN (SEE NOTE 8)	50u"/1.27u MIN Ni
-4YY	100u"/2.54u MIN Sn (NOTE 9)	50u"/1.27u MIN Ni
-4YYLF		50u"/1.27u MIN Ni



SCALE 3/1  
RECOMMENDED HOLE PATTERN

NOTE

- MOLDING MATERIAL: HIGH TEMPERATURE PLASTIC FLAME RETARDENT PER UL-94V-0. COLOR: NATURAL
- PIN MATERIAL: 3/4 HD PHOS. BRONZE
- LOGO TO BE LOCATED APPROX. AS SHOWN.
- TWO NON-CRITICAL SIDES OF PIN TIP NOT PLATED, BOTH ENDS.
- FOR LEAD FREE OPTION ADD "LF" IN THE END OF THE EXISTING PART NUMBERS.
- IF "LF" P/N THE PRODUCT MEETS EUROPEAN UNION DIRECTIVES AND OTHER COUNTRY REGULATION AS DESCRIBED IN GS-22-008.
- THE HOUSING WILL WITHSTAND EXPOSURE TO 260°C PEAK TEMPERATURE FOR 20-30 SECONDS IN A CONVECTION, INFRA-RED OR VAPOR PHASE REFLOW OVEN. SEE APPLICATION NOTES/PROCEDURES IF THEY ARE AVAILABLE OR THE HOUSING WILL WITHSTAND EXPOSURE TO 260°C PEAK TEMPERATURE FOR 15 SECONDS IN A WAVE SOLDER APPLICATION WITH A 1.5mm MINIMUM THICK CIRCUIT BOARD. SEE APPLICATION NOTES/PROCEDURES IF THEY ARE AVAILABLE.
- PLATING OPTIONS: MAY BE EITHER GOLD OR GXT PLATED AT THE MANUFACTURER'S CHOICE
- "THIS PRODUCT HAS 100% TIN PLATING IN THE INTERFACE AND HAS NOT BEEN TESTED FOR WHISKER GROWTH IN ALL INTERCONNECT ENVIRONMENTS."

mal't. code		surface ISO 1302	tolerance ISO 406 ISO 1101	projection	product family HEADER
ltr	ecn no	dr	date	tolerances unless otherwise specified	title
H				linear XX±.01/XX±0.3 XXX±.006/XXX±0.13 O'±.2' XXXX±.0020/XXX±0.05	CLINCHER™ LATCH HEADER RIGHT ANGLE
				scale 4:1	dwg no 95736
					sheet 2 of 2 size A3
					type Product Customer Drawing
sheet	revision				
index	sheet				

Copyright FCJ  
FCconnect.com

# Mouser Electronics

Authorized Distributor

Click to View Pricing, Inventory, Delivery & Lifecycle Information:

## [FCI / Amphenol:](#)

[95736-112](#) [95736-404](#) [95736-108](#) [95736-112LF](#) [95736-402LF](#) [95736-404LF](#) [95736-407LF](#) [95736-102LF](#) [95736-103LF](#) [95736-105LF](#) [95736-106LF](#) [95736-107LF](#) [95736-109LF](#) [95736-110LF](#) [95736-111LF](#) [95736-114LF](#) [95736-116LF](#) [95736-403LF](#) [95736-405LF](#) [95736-410LF](#) [95736-412LF](#) [95736-413LF](#) [95736-416LF](#) [95736-409LF](#) [95736-104LF](#) [95736-108LF](#) [95736-115LF](#) [95736-107](#) [95736-110](#) [95736-403](#) [95736-405](#) [95736-408LF](#) [95736-115](#) [95736-415LF](#)