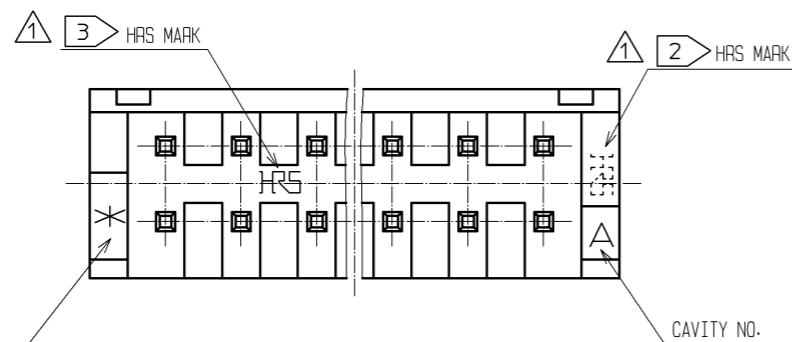
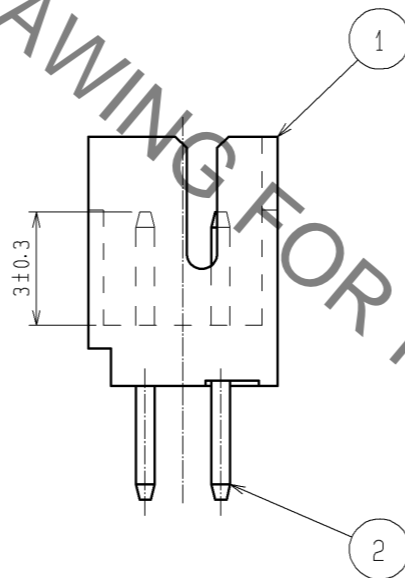
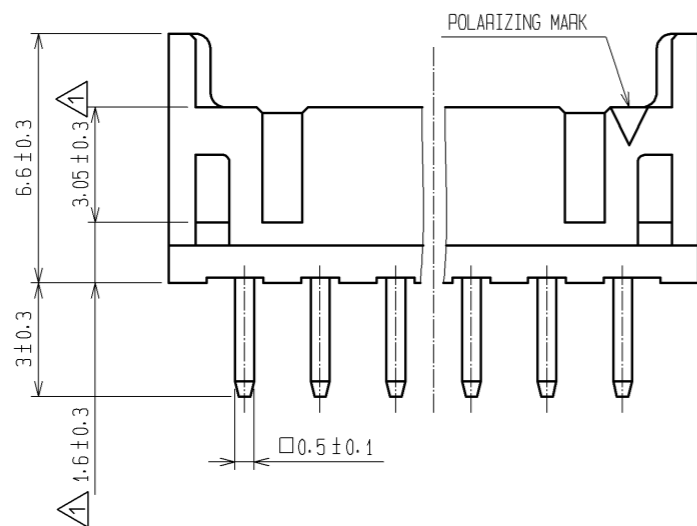
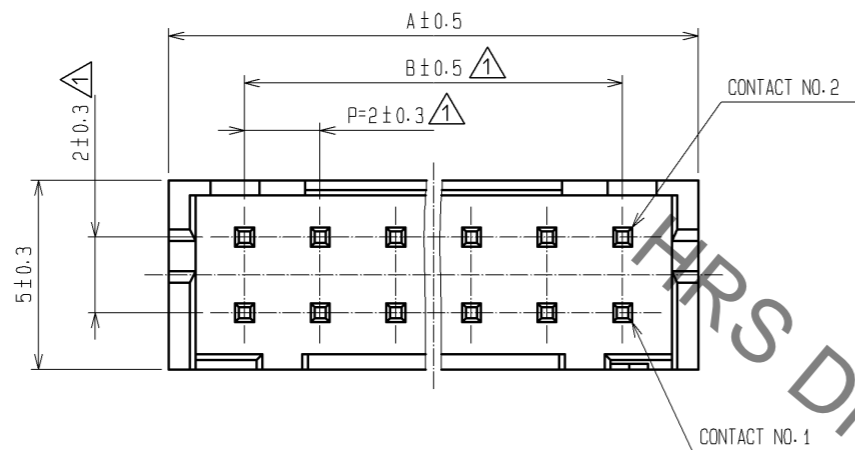
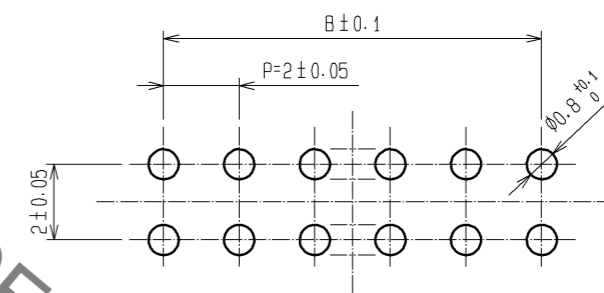


Aug.1.2020 Copyright 2020 HIROSE ELECTRIC CO., LTD. All Rights Reserved.  
In case of consideration for using Automotive equipment / device which demand high reliability, kindly contact our sales window correspondents.



| CL NO.          | PART NO            | NUMBER OF CONTACT | A  | B  |
|-----------------|--------------------|-------------------|----|----|
| CL543-0517-5-01 | DF11- 4DP-2DSA(01) | 4                 | 6  | 2  |
| CL543-0518-8-01 | DF11- 6DP-2DSA(01) | 6                 | 8  | 4  |
| CL543-0519-0-01 | DF11- 8DP-2DSA(01) | 8                 | 10 | 6  |
| CL543-0520-0-01 | DF11-10DP-2DSA(01) | 10                | 12 | 8  |
| CL543-0521-2-01 | DF11-12DP-2DSA(01) | 12                | 14 | 10 |
| CL543-0522-5-01 | DF11-14DP-2DSA(01) | 14                | 16 | 12 |
| CL543-0523-8-01 | DF11-16DP-2DSA(01) | 16                | 18 | 14 |
| CL543-0524-0-01 | DF11-18DP-2DSA(01) | 18                | 20 | 16 |
| CL543-0525-3-01 | DF11-20DP-2DSA(01) | 20                | 22 | 18 |
| CL543-0526-6-01 | DF11-22DP-2DSA(01) | 22                | 24 | 20 |
| CL543-0527-9-01 | DF11-24DP-2DSA(01) | 24                | 26 | 22 |
| CL543-0528-1-01 | DF11-26DP-2DSA(01) | 26                | 28 | 24 |
| CL543-0529-4-01 | DF11-28DP-2DSA(01) | 28                | 30 | 26 |
| CL543-0530-3-01 | DF11-30DP-2DSA(01) | 30                | 32 | 28 |
| CL543-0531-6-01 | DF11-32DP-2DSA(01) | 32                | 34 | 30 |
| CL543-0532-9-01 | DF11-34DP-2DSA(01) | 34                | 36 | 32 |

△ RECOMMENDED PATTERN (BOARD THICKNESS: 1.6mm)



△ NOTES 1 : 100 PIECES PER PACK.  
 △ 2 : IN CASE OF 4 AND 6 CONTACTS CONNECTOR, HRS MARK IS INDICATED IN SHOWN AREA.  
 △ 3 : IN CASE OF MORE THAN 8 CONTACTS CONNECTOR, HRS MARK IS INDICATED IN SHOWN AREA.

|                         |           |                 |             |  |  |
|-------------------------|-----------|-----------------|-------------|--|--|
| 1                       | POLYAMIDE | BLACK, UL94V-0  | 2           | BRASS                                    | SURFACE: GOLD PLATED 0.2µm min △<br>UNDER PLATING: NICKEL PLATED 1µm min |
| NO.                     | MATERIAL  | FINISH, REMARKS | NO.         | MATERIAL                                 | FINISH, REMARKS  |
| UNITS<br>mm             |           | SCALE<br>5 : 1  | COUNT<br>13 | DESCRIPTION OF REVISIONS<br>DIS-H-003841 | DESIGNED<br>YK. NAKATSU  |
| APPROVED : KJ. KATAYOSE |           | 05.01.05        |             | DRAWING NO.<br>EDC3-080551-01            |  |
| CHECKED : TY. OMA       |           | 05.01.05        |             | PART NO.<br>DF11- *DP-2DSA(01)           |  |
| DESIGNED : IO. DENPOUYA |           | 05.01.05        |             | CODE NO.<br>CL543-                       |  |
| DRAWN : IO. DENPOUYA    |           | 05.01.05        |             | 1/1                                      |  |