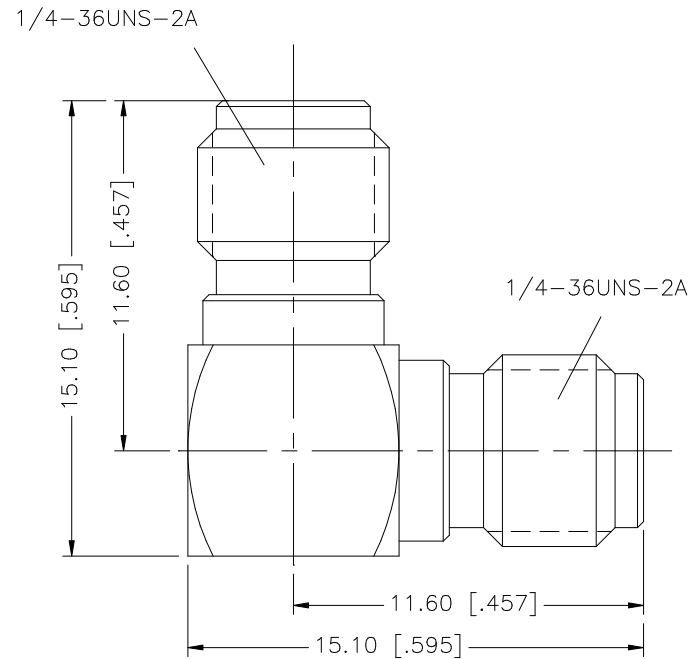


REV.	DATE	DESCRIPTION
NC	08/10/99	INITIAL RELEASE
A	09/26/06	UPDATE DRAWING FORMAT



8					<small>UNLESS OTHERWISE SPECIFIED DIMENSIONS ARE IN MILLIMETERS. DIMENSIONS IN [] ARE IN INCHES AND FOR CUSTOMER REFERENCE ONLY.</small> <small>UNLESS OTHERWISE SPECIFIED TOLERANCES FOR MILLIMETERS ARE:</small> 0.5 - 8mm ± 0.20mm 8 - 30mm ± 0.40mm 30 - 120mm ± 0.50mm <small>UNLESS OTHERWISE SPECIFIED TOLERANCES FOR INCHES ARE:</small> .020 - .315 = ± 0.007" .315 - 1.180 = ± 0.015" 1.180 - 4.724 = ± 0.020"	APPROVALS	DATE	<h1 style="color: blue;">Amphenol Connex</h1>						
7				DRAWN		G.R.S.	09/26/06		PART DESCRIPTION <h2 style="text-align: center;">SMA FEMALE TO FEMALE R/A ADAPTER</h2>					
6				CHECKED										
5				ISSUED				PART NO. <h2 style="text-align: center;">132274</h2>						
4	COVER	BRASS	GOLD	1		SHEET	1 OF 1							
3	CONTACT PIN	BER. COPPER	GOLD	1	CAD FILE	C:/132/1132274.DWG	DWG. NO.	132274.DWG	REV.	A	SIZE	A	SCALE	NA
2	INSULATOR	TEFLON	NATURAL	1	DO NOT SCALE DRAWING									
1	BODY	BRASS	GOLD	1										

Mouser Electronics

Authorized Distributor

Click to View Pricing, Inventory, Delivery & Lifecycle Information:

[Amphenol:](#)

[132274](#)