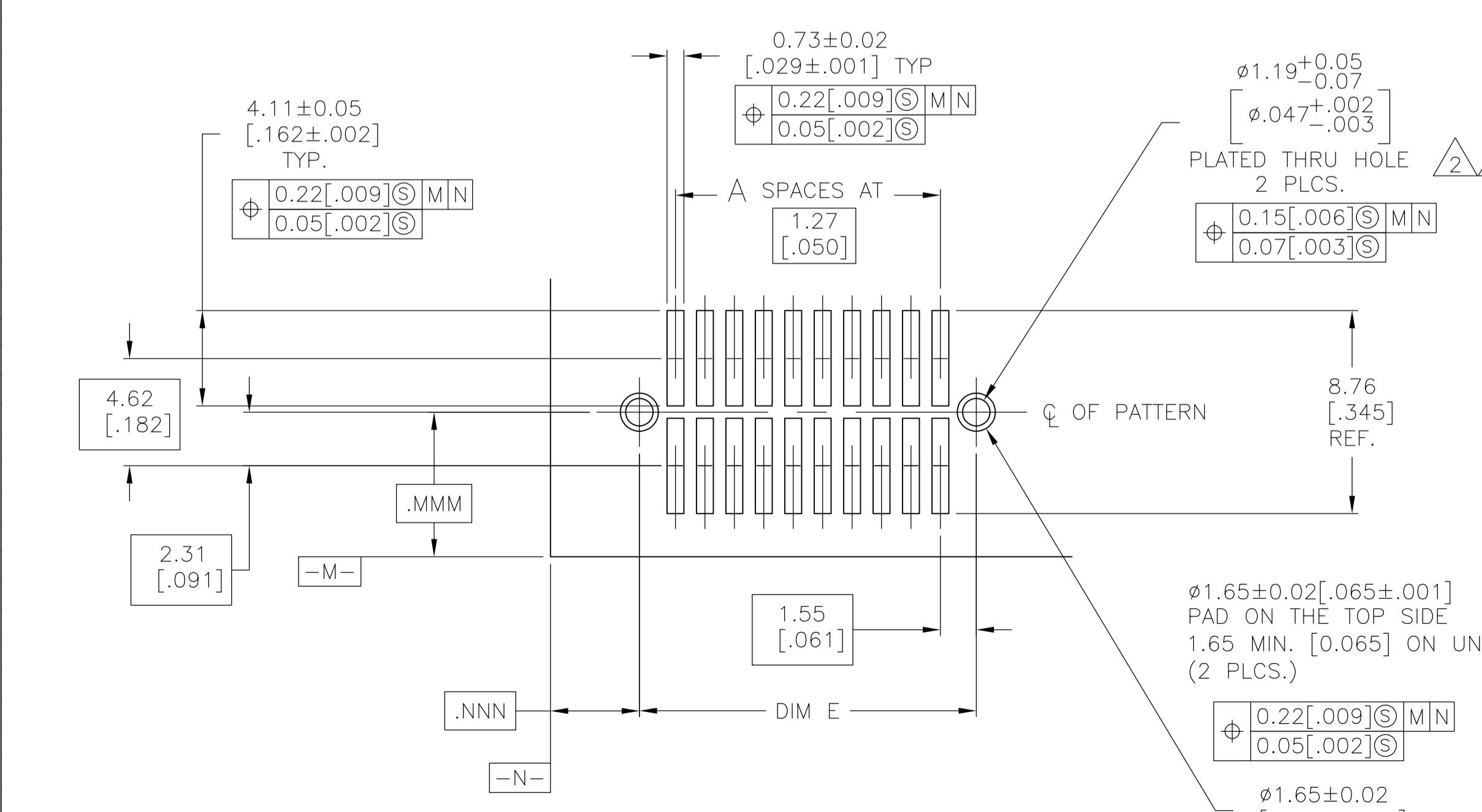
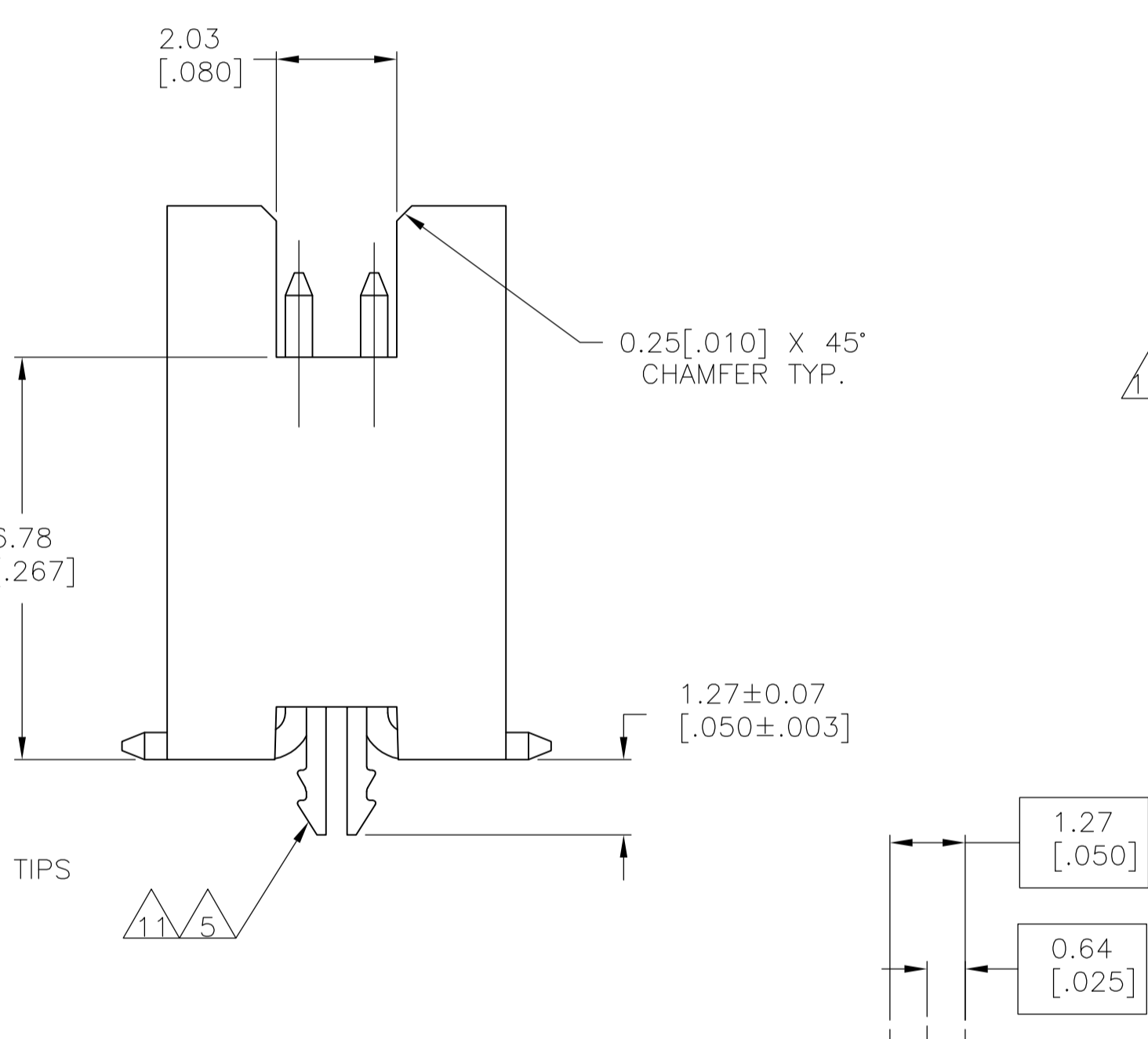
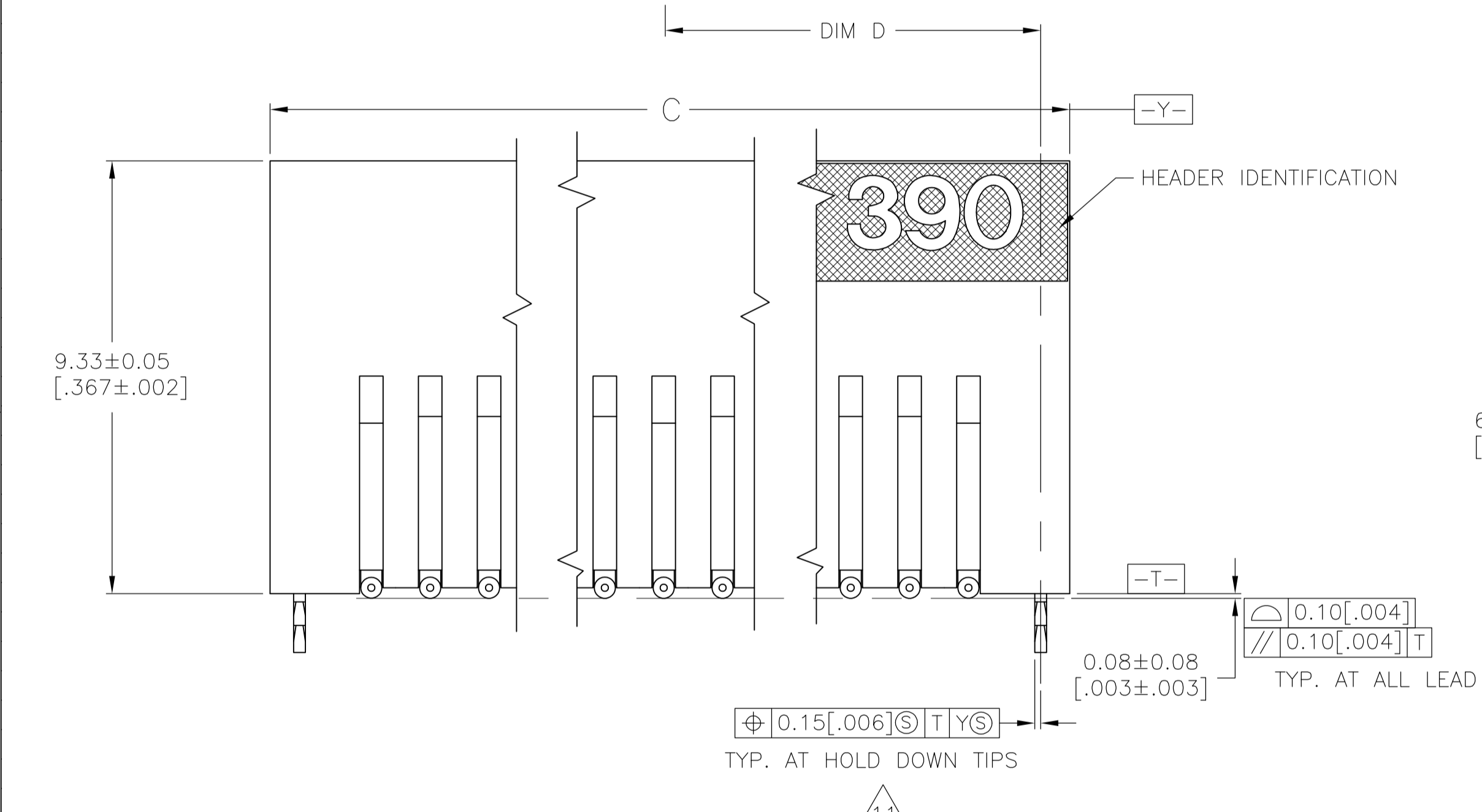
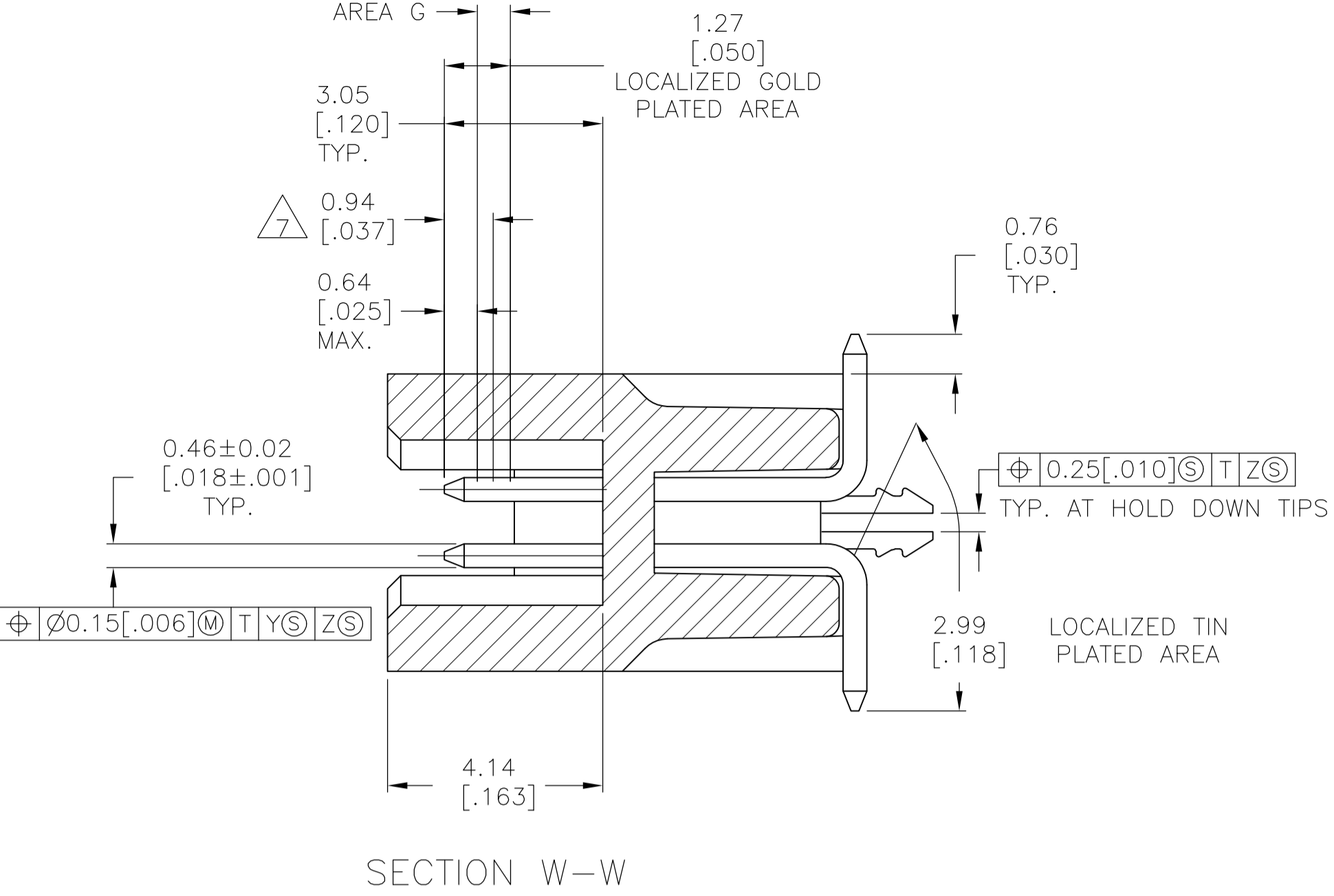
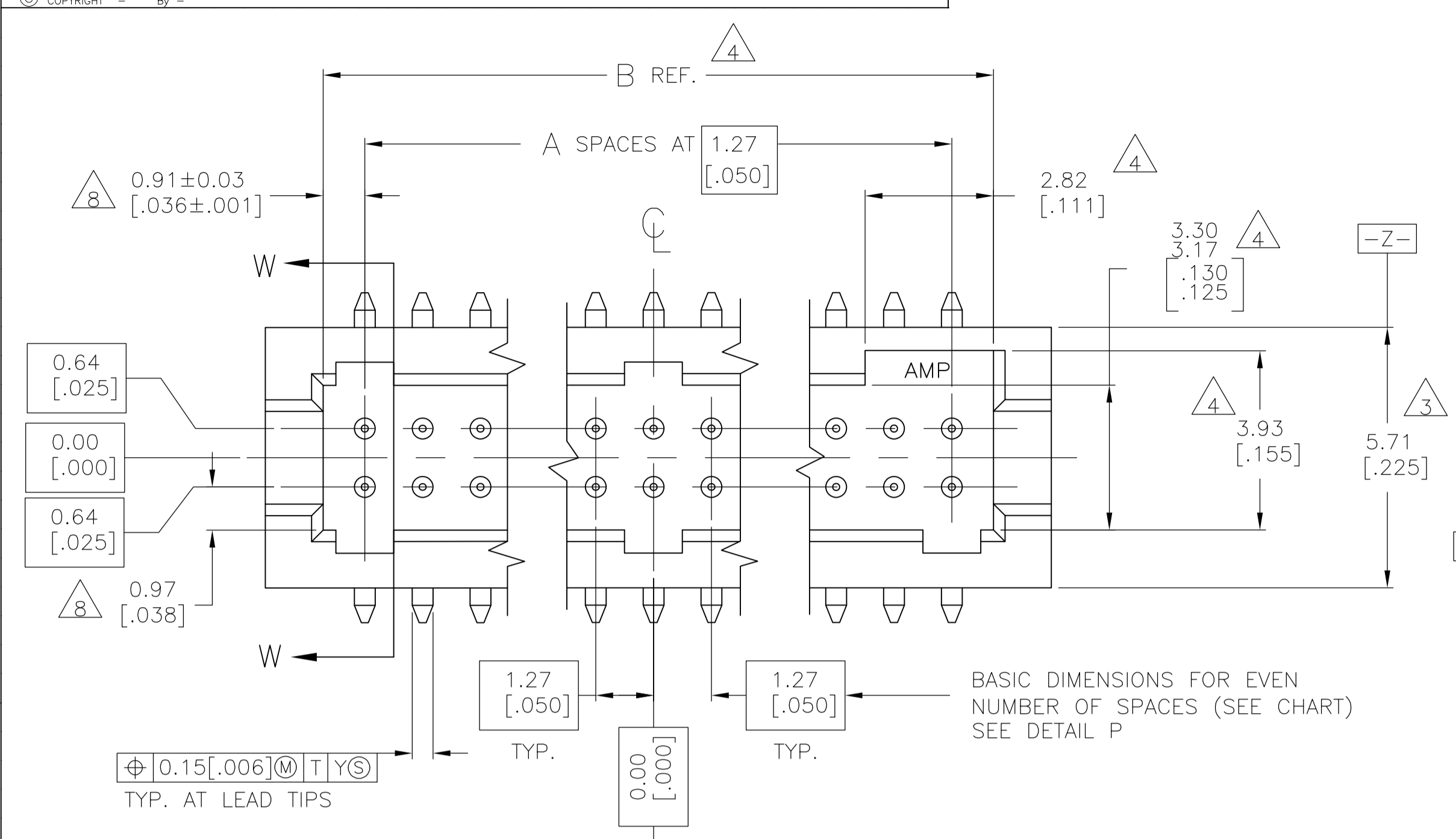


REVISIONS		DATE	BY	APP'D
L3	REVISED PER ECO-11-004587	11MAR11	RK	HMR



- 1 0.00076(.000030) GOLD AT POINT OF MEASUREMENT, 0.00051(.000020) MIN AT THE END POINTS OF AREA G, (LOCALIZED GOLD PLATE AREA), 0.0038(.000150) TIN-LEAD ON LOCALIZED TIN PLATED AREA, ALL OVER 0.0013(.000050) NICKEL.
- 2 USE 1.32±0.02(.0520±.0010) DRILLED HOLE (#55 DRILL). FINISH TO BE TIN-LEAD OVER 0.02 [.001] MIN COPPER.
- 3 DIMENSION APPLIES AT BASE OF SHROUD.
- 4 THE NOTED DIMENSIONS APPLY AT THE MATING FACE OF THE HOUSING.
- 5 0.0038 [.000150] TIN-LEAD ON HOLD DOWN, ALL OVER 0.0013 [.000050] NICKEL.
- 6 IF PLANNING TO USE MORE THAN ONE MATING PAIR OF CONNECTORS TO INTERCONNECT 2 BOARDS, PLEASE REFER TO SPACING PARAGRAPH IN APPLICATION SPEC, #114-7010
- 7 POINT OF MEASUREMENT
- 8 DIMENSIONS NOTED APPLY FROM THE BASIC DIMENSION LINE (NOT THE CIRCUIT CAVITY CENTER LINE) TO THE SURFACE INDICATED.
- 9 0.00076 (.000030) GOLD AT POINT OF MEASUREMENT, 0.00051(.000020) MIN AT THE END POINTS OF AREA G (LOCALIZED GOLD PLATE AREA), 0.0038(.000150) TIN ON LOCALIZED TIN PLATED AREA, ALL OVER 0.0013(.000050) NICKEL.
- 10 USE 1.32±0.02(.0520±.0010) DRILLED HOLE (#55 DRILL) FINISH TO BE TIN OVER 0.02(.001) MIN COPPER.
- 11 0.0038 (.000150) TIN ON HOLDDOWN, ALL OVER 0.0013 (.000050) NICKEL
- 12 ROHS 2002/95/EC COMPLIANT.
- 13 OBSOLETE PARTS: OBSOLETE CIS STREAMLINING PER D.RENAUD/D.SINISI

FINISH	E	D	C	B	A	NUMBER OF POSITIONS	PART NUMBER	
								9
OBSOLETE	9	11	12	13	49	100	6-104693-0	
	9	11	12	13	44	90	5-104693-9	
	9	11	12	13	39	80	5-104693-8	
	9	11	12	13	34	70	5-104693-7	
	9	11	12	13	29	60	5-104693-6	
	9	11	12	13	24	50	5-104693-5	
	9	11	12	13	19	40	5-104693-4	
	9	11	12	13	14	30	5-104693-3	
	9	11	12	13	9	20	5-104693-2	
	9	11	12	13	4	10	5-104693-1	
	OBSOLETE	1	5	1	5	49	100	1-104693-0
		1	5	1	5	44	90	104693-9
1		5	1	5	39	80	104693-8	
1		5	1	5	34	70	104693-7	
1		5	1	5	29	60	104693-6	
1		5	1	5	24	50	104693-5	
1		5	1	5	19	40	104693-4	
1		5	1	5	14	30	104693-3	
1		5	1	5	9	20	104693-2	
1		5	1	5	4	10	104693-1	

RECOMMENDED BOARD LAYOUT SCALE 5:1

THIS DRAWING IS A CONTROLLED DOCUMENT.

DATE HELM 01AUG08
CHK D. GORENC 8/12/91
APP'D D. GORENC 8/12/91

DIMENSIONS: mm (INCHES)
TOLERANCES UNLESS OTHERWISE SPECIFIED:
0 PL ± -
1 PL ± -
2 PL ± 0.13 [.005]
3 PL ± -
4 PL ± -
ANGLES ± -

MATERIAL: INDUSTRY SPEC. ALUMINUM BRASS. HOLD-DOWN COPPER ALLOY

FINISH: SEE TABLE

WEIGHT: -

CUSTOMER DRAWING

SCALE 10:1 SHEET 1 OF 1 REV L3

TE Connectivity

HEADER ASSEMBLY, SURFACE MOUNT, AMPMODU 50/50 GRID (9.90 [.390] MATED HEIGHT)

108-1332

114-7010

104693

Mouser Electronics

Authorized Distributor

Click to View Pricing, Inventory, Delivery & Lifecycle Information:

[TE Connectivity:](#)

[104693-1](#)