

## Dual Output Power Switch

### FEATURES

- Two Output Power Switches
- Total Output Drive — 200 mA Continuous
- 9-V to 35-V Supply Voltage Range
- Low Side or High Side Switch Configuration
- Internal Output Over Voltage Clamp For Driving Inductive Loads
- Current Limit Protection



Pb-free  
Available

- Thermal Shutdown Protection
- UVLO With User Programmable Time Delay

### APPLICATIONS

- Optical Detectors for Factory Automation

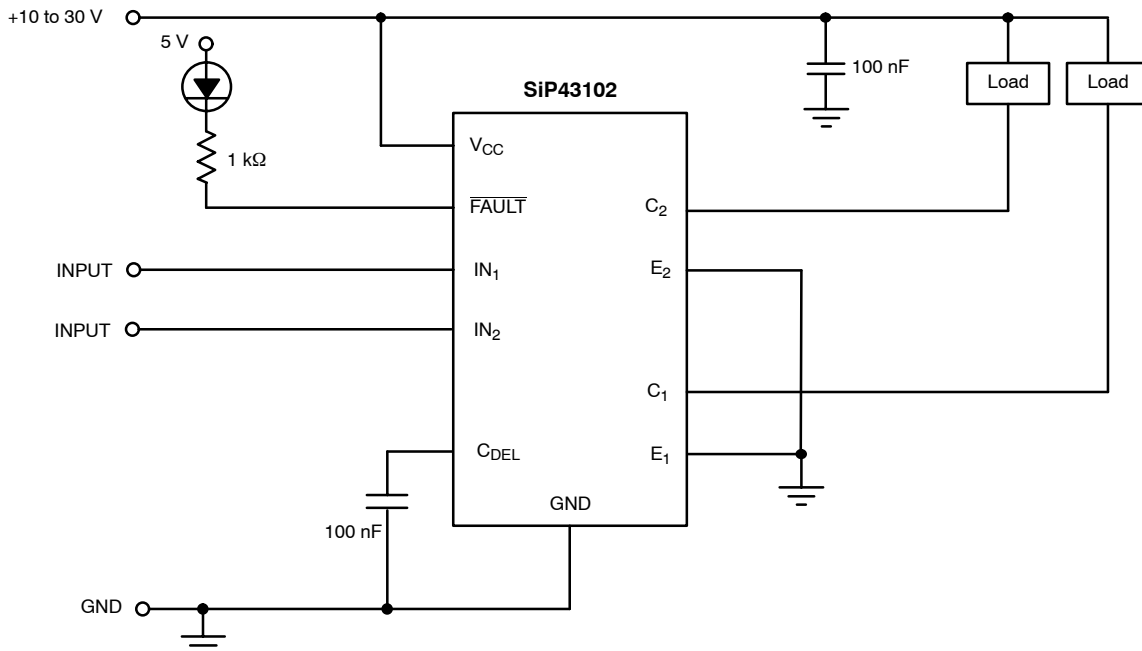
### DESCRIPTION

SiP43102 is a dual power switch IC which contains all control and power switching circuitry required to drive resistive and inductive loads in industrial applications. The output switches are NPN power transistors which can be configured as either high-side or low-side switches. These switches can operate from voltages as high as 35 V and have a continuous output current rating of 200 mA, combined or individually. Internal zener diodes are provided to clamp the power switch voltages to safe levels when driving inductive loads. The IN<sub>1</sub> and IN<sub>2</sub> pins are non-inverting inputs which control the output of switch 1 and switch 2 respectively. SiP43102 contains under

voltage lockout, UVLO, a user definable turn on delay, current limit, short circuit protection, and thermal shutdown.

The SiP43102 is available in 16-pin TSSOP and PowerPAK® MLP-44 packages, which are specified over the industrial, D suffix (–40 to 85°C) temperature range. Both standard and lead (Pb)-free options are available in the 16-pin TSSOP package.

### TYPICAL APPLICATION CIRCUIT



Both Switches Configured as Low-Side



### ABSOLUTE MAXIMUM RATINGS

$V_{CC}$ .....	35 V
C1, E1, C2, E2 .....	35 V
C1-E1, C2-E2 (clamped by internal circuitry) .....	52 V
Output Current	
Continuous for one Output .....	200 mA
Peak for one Output .....	1.3 A
$\overline{FAULT}$ Output Current .....	10 mA
$\overline{FAULT}$ Output Voltage .....	-0.3 V to $V_{CC} + 0.3$ V
$IN_1, IN_{2A}, IN_{2B}$ .....	-0.3 V to $V_{CC} + 0.3$ V
Storage Temperature .....	-65 to 150°C
Operating Junction Temperature .....	125°C

Power Dissipation	
TSSOP-16 <sup>a</sup> @ 85°C .....	440 mW
PowerPAK MLP44-16 <sup>b</sup> @ 85°C .....	850 mW
Thermal Impedance ( $\theta_{JA}$ )	
TSSOP-16 <sup>c</sup> .....	90°C/W
PowerPAK MLP44-16 <sup>d</sup> .....	47°C/W

#### Notes

- Derate 11.1 mW/°C
- Derate 21.3 mW/°C
- Device mounted on JEDEC compliant two layer test board.
- Device mounted on JEDEC compliant four layer test board.

Currents are positive into, negative out of the specified terminal.

Stresses beyond those listed under "Absolute Maximum Ratings" may cause permanent damage to the device. These are stress ratings only, and functional operation of the device at these or any other conditions beyond those indicated in the operational sections of the specifications is not implied. Exposure to absolute maximum rating conditions for extended periods may affect device reliability.

### RECOMMENDED OPERATING RANGE

$V_{CC}$  .....

Operating Temperature Range .....

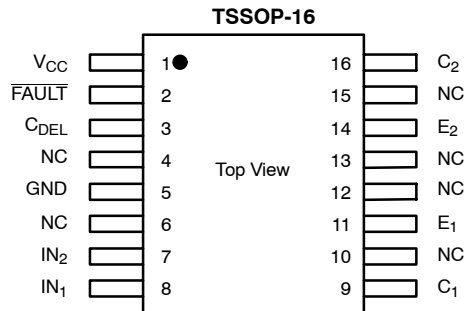
SPECIFICATIONS						
Parameter	Symbol	Test Conditions Unless Specified $V_{CC} = 25$ V, $IN_1, IN_2 = 0$ V, $IN_1, IN_2, INV2 = 5$ V $C_{DEL} = 10$ nF, $T_A = T_J$	Limits			Unit
			Min <sup>a</sup>	Typ <sup>b</sup>	Max <sup>a</sup>	
<b>Power Supply</b>						
Supply Voltage	$V_{CC}$		9		32	V
Supply Current	$I_{CC}$	-40 to 85°C, Both Inputs Enabled		6	9	mA
<b>Logic Inputs (<math>IN_1, IN_2</math>)</b>						
Digital Input High Level	$V_{IH}$		3.5			V
Digital Input Low Level	$V_{IL}$				1.5	
Input Bias Current, Low Level	$I_{IL}$	$IN_1, IN_{2A}, IN_{2B} = 0$ V		-0.40		$\mu$ A
Input Bias Current, High Level	$I_{IH}$	$IN_1, IN_{2A}, IN_{2B} = 5$ V		0.02		
<b>Switches 1&amp;2 – High Side Configuration</b>						
Rise Time (Off to On)	$t_r$	$R_{LOAD} = 250 \Omega$ to GND, $C_1, C_2 = 25$ V		300		ns
Rise Time (On to Off)	$t_f$			300		
Saturation Voltage	$V_{SATHS}$	$R_{LOAD} = 125 \Omega$ to GND	$T_A = 25^\circ\text{C}$		1.3	V
			$T_A = -40^\circ\text{C}$		1.5	
Current Limit	$I_{LIMHS}$	$R_{LOAD} = 0.25 \Omega$ to GND, $T_A = 25^\circ\text{C}$		1.1		A
Leakage Current	$I_{LHS}$	$E_1, E_2 = \text{GND}, C_1, C_2 = 25$ V, $IN_1, IN_{2A}, IN_{2B} = 0$ V			5	$\mu$ A
Voltage Clamp	$V_{CLHS}$	Measure ( $V_{C1} - V_{E1}$ ) or ( $V_{C2} - V_{E2}$ )		52		V
<b>Switches 1&amp;2 – Low Side Configuration</b>						
Rise Time (On to Off)	$t_r$	$R_{LOAD} = 250 \Omega$ to $V_{CC}$ , $L_{LOAD} = 25$ V to $C_1, C_2$		400		ns
Rise Time (Off to On)	$t_f$			350		
Saturation Voltage	$V_{SATLS}$	$R_{LOAD} = 125 \Omega$ to $V_{CC}$	$T_A = 25^\circ\text{C}$		1.3	V
			$T_A = -40^\circ\text{C}$		1.5	
Current Limit	$I_{LIMLS}$	$R_{LOAD} = 0.25 \Omega$ to $V_{CC}$ , $T_A = 25^\circ\text{C}$		1.1		A
Leakage Current	$I_{LLS}$	$E_1, E_2 = \text{GND}, C_1, C_2 = 25$ V, $IN_1, IN_{2A}, IN_{2B} = 0$ V			5	$\mu$ A
Voltage Clamp	$V_{CLLS}$	Measure ( $V_{C1} - V_{E1}$ ) or ( $V_{C2} - V_{E2}$ )		52		V

<b>SPECIFICATIONS</b>						
Parameter	Symbol	Test Conditions Unless Specified $V_{CC} = 25\text{ V}, IN_1, IN_2 = 0\text{ V}, IN_1, IN_2, INV2 = 5\text{ V}$ $C_{DEL} = 10\text{ nF}, T_A = T_J$	Limits			Unit
			Min <sup>a</sup>	Typ <sup>b</sup>	Max <sup>a</sup>	
<b>Turn-On Delay</b>						
$C_{DEL}$ Maximum Voltage	$V_{DEL}$			4.7		V
$C_{DEL}$ Threshold	$V_{DELTH}$			4		
$I_{CDEL}$	$I_{CDEL}$			2.5		$\mu\text{A}$
<b>FAULT Output</b>						
$V_{CESAT}$ Conducting State (On)	$V_{SDON}$	Load on $\overline{\text{FAULT}} \leq 10\text{ mA}$		0.4		V
<b>Operating Frequency</b>						
Switching Frequency	$f_{SW}$			25		kHz
<b>Under Voltage Lockout</b>						
UVLO Threshold	$V_{UVLO}$		7.5	8	8.5	V
UVLO Hysteresis	$V_{HYS}$		0.4	0.5	0.6	
<b>Thermal Shutdown</b>						
Thermal Shutdown Threshold	T			160		$^{\circ}\text{C}$
Hysteresis	$T_{HYS}$			20		

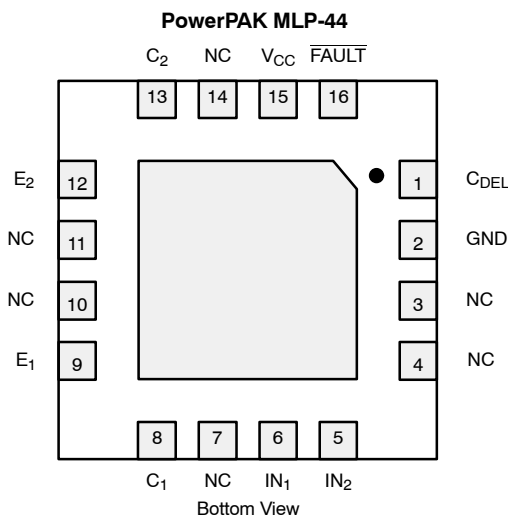
**Notes**

- a. The algebraic convention whereby the most negative value is a minimum and the most positive a maximum ( $-40^{\circ}$  to  $85^{\circ}\text{C}$ ).
- b. Typical values are for DESIGN AID ONLY, not guaranteed nor subject to production testing and are measured at  $V_{CC} = 12\text{ V}$  unless otherwise noted.

**PIN CONFIGURATION**



<b>TSSOP-16 ORDERING INFORMATION</b>			
Standard-Part Number	Lead (Pb)-Free Part Number	Temperature Range	Marking
SiP43102DQ-T1	SiP43102DQ-T1—E3	$-40$ to $85^{\circ}\text{C}$	43102



<b>PowerPAK MLP-44 ORDERING INFORMATION</b>		
Standard Part Number	Temperature Range	Marking
SiP43102DLP-T1	$-40$ to $85^{\circ}\text{C}$	43102



<b>PIN DESCRIPTION</b>			
<b>Pin Number</b>		<b>Name</b>	<b>Function</b>
<b>TSSOP-16</b>	<b>MLP44-16</b>		
1	15	$V_{CC}$	Positive Supply Voltage
2	16	$\overline{FAULT}$	Open collector output that is switched low on in the event of Short Circuit or Thermal Shut Down.
3	1	$C_{DEL}$	Connection for the external capacitor controlling the turn on delay.
4, 6, 10, 12, 13, 15	3, 4, 7, 10, 11, 14	NC	No connection
5	2	GND	Ground Pin.
7	5	$IN_2$	Input to the Exclusive OR controlling power switch 2.
8	6	$IN_1$	Input controlling power switch 1.
9	8	$C_1$	Collector of power switch 1.
11	9	$E_1$	Emitter of power switch 1.
14	12	$E_2$	Emitter of power switch 2.
16	13	$C_2$	Collector of power switch 2.

## DETAILED PIN DESCRIPTION

### $C_{DEL}$

A capacitor connected to this pin is used to set the duration the turn on delay. The delay starts after the UVLO threshold has been reached.

### $IN_1$

This pin controls the state of the output NPN switch 1. A Logic 0 holds the switch off while a Logic 1 turns the switch on.

### $IN_2$

This pin controls the state of the output NPN switch 2. A Logic 0 holds the switch off while a Logic 1 turns the switch on.

### $E_1$

This pin is the emitter of switch 1. This pin is connected to the load in the High-Side switch configuration, and is connected to Ground in the Low-Side configuration.

### $E_2$

This pin is the emitter of switch 2. This pin is connected to the load in the High-Side switch configuration, and is connected to Ground in the Low-Side configuration.

### $C_1$

This pin is the collector of switch 1. This pin is connected to the  $V_{CC}$  in the High-Side switch configuration, and is connected to the load in the Low-Side configuration.

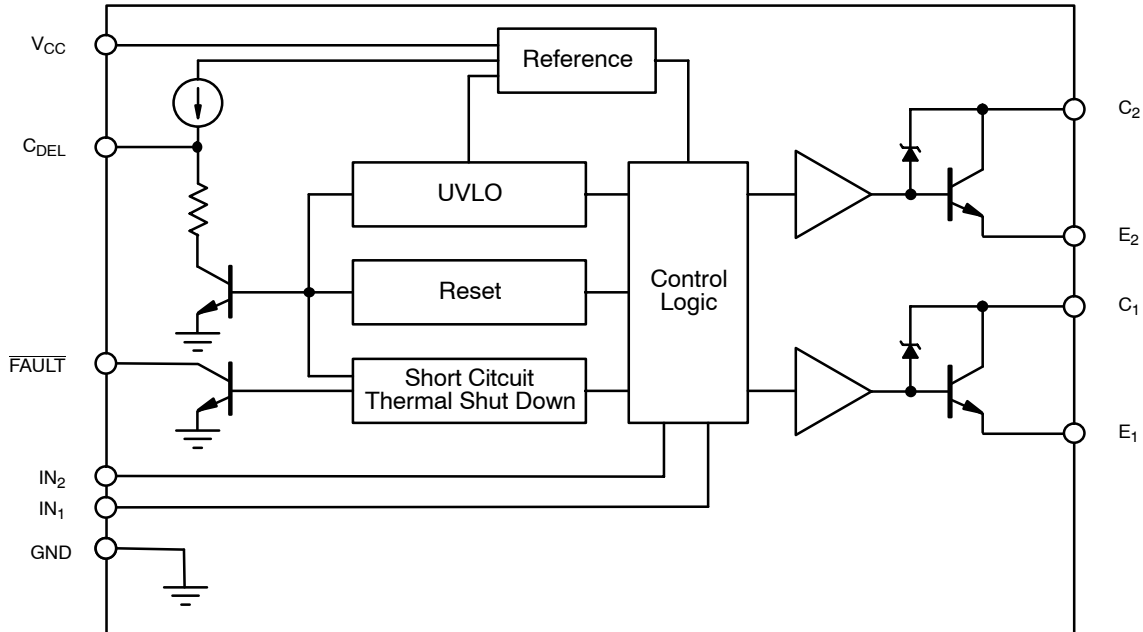
### $C_2$

This pin is the collector of switch 2. This pin is connected to the  $V_{CC}$  in the High-Side switch configuration, and is connected to the load in the Low-Side configuration.

### $\overline{FAULT}$

This pin is an open collector output that is pulled to Ground in the event of a short circuit, an overcurrent, or a thermal shut down.

**FUNCTIONAL BLOCK DIAGRAM**



**DETAILED OPERATION**

**Turn On Delay**

The turn on delay prohibits the output switches from being turned on for a period of time after  $V_{CC}$  has passed through 8 V and the undervoltage condition no longer exists. The UVLO function keeps the external  $C_{DEL}$  capacitor discharged until  $V_{CC}$  is greater than 8 V. After that occurs, internal 2.5- $\mu$ A current source charges the capacitor from GND to 4.7 V. A comparator detects when the voltage on  $C_{DEL}$  passes through 4 V and enables the output switches. The delay time is a function of the capacitor value and is defined as 1.6 ms/nF.

An external switch can be connected across the capacitor to disable the output switches and reset the time delay.

**Short Circuit and Overcurrent indication**

When an overcurrent or short circuit condition occurs on either switch, the SiP43102 enters a hiccup current limiting mode. In this mode, the capacitor on  $C_{DEL}$  is discharged down to 3 V, thus turning off the output switches, and then is charged up to 4 V by a 2.5- $\mu$ A internal current source, thus turning the switches on again. If the overcurrent or short circuit condition remains this cycle will continue. The switches are enabled at a very low duty cycle, minimizing the power dissipation and protecting the switches from damage.

The FAULT output will switch to GND, indicating that an overload condition or short circuit condition exists.

Vishay Siliconix maintains worldwide manufacturing capability. Products may be manufactured at one of several qualified locations. Reliability data for Silicon Technology and Package Reliability represent a composite of all qualified locations. For related documents such as package/tape drawings, part marking, and reliability data, see <http://www.vishay.com/ppg?72641>.



## Disclaimer

All product specifications and data are subject to change without notice.

Vishay Intertechnology, Inc., its affiliates, agents, and employees, and all persons acting on its or their behalf (collectively, "Vishay"), disclaim any and all liability for any errors, inaccuracies or incompleteness contained herein or in any other disclosure relating to any product.

Vishay disclaims any and all liability arising out of the use or application of any product described herein or of any information provided herein to the maximum extent permitted by law. The product specifications do not expand or otherwise modify Vishay's terms and conditions of purchase, including but not limited to the warranty expressed therein, which apply to these products.

No license, express or implied, by estoppel or otherwise, to any intellectual property rights is granted by this document or by any conduct of Vishay.

The products shown herein are not designed for use in medical, life-saving, or life-sustaining applications unless otherwise expressly indicated. Customers using or selling Vishay products not expressly indicated for use in such applications do so entirely at their own risk and agree to fully indemnify Vishay for any damages arising or resulting from such use or sale. Please contact authorized Vishay personnel to obtain written terms and conditions regarding products designed for such applications.

Product names and markings noted herein may be trademarks of their respective owners.

# Mouser Electronics

Authorized Distributor

Click to View Pricing, Inventory, Delivery & Lifecycle Information:

[Vishay:](#)

[SIP43102DQ-T1-E3](#) [SIP43102DLP-T1](#) [SIP43102DLP-T1-E3](#)