

THIS DRAWING IS UNPUBLISHED.

RELEASED FOR PUBLICATION

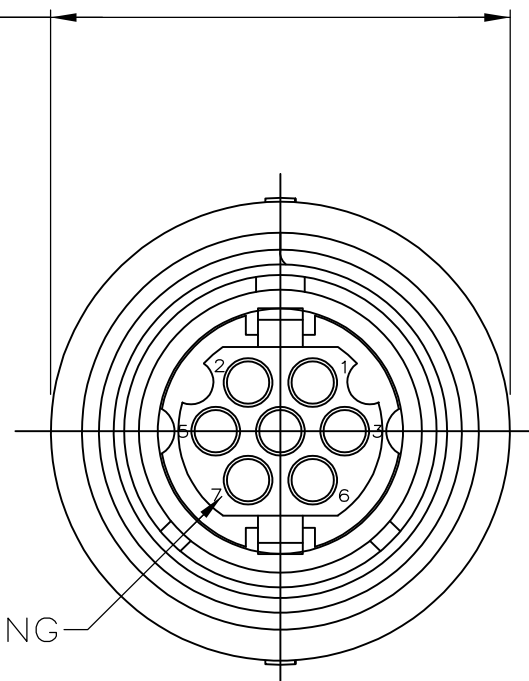
ALL RIGHTS RESERVED.

© COPYRIGHT - By -

LOC	DIST	REVISIONS			
P	LTR	DESCRIPTION	DATE	DWN	APVD
BD	35	H1	REVISED PER ECO-11-005027	11MAR11	RK HMR

31.12±0.38 DIA
[1.225±.015]

SOCKET HOUSING

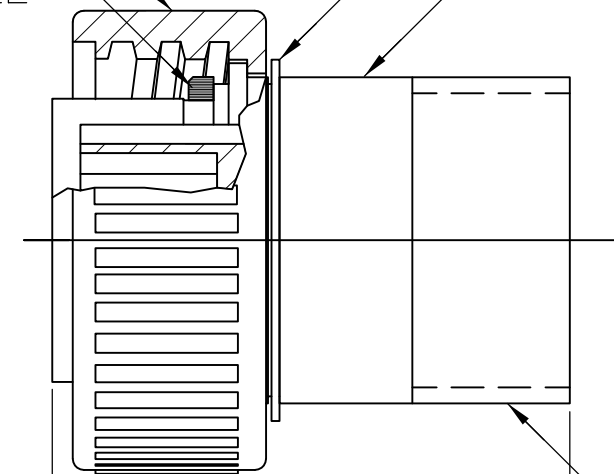


COUPLING RING

TETRASEAL
SEE TABLE

RETAINER RING

PLUG SHELL



7/8-20 UNEF-2A

35.56 MAX
[1.400]

1. THIS CONNECTOR ACCEPTS SEVEN (7) SIZE 16 MULTIMATE SOCKET CONTACTS, MAXIMUM WIRE INSULATION DIA = 2.67 [.105].
2. THIS CONNECTOR MATES WITH AMP PART NUMBER 208715-1.
3. AMP PART NUMBER AND DATE CODE TO BE LOCATED ON COUPLING RING.

4 NICKEL PER QQ-N-290 OVER COPPER PER MIL-C-14550.

5 ZINC PER QQ-Z-363.

YES	208714-2
NO	208714-1
SEAL	PART NO

THIS DRAWING IS A CONTROLLED DOCUMENT.		DWN D.HARDY 05/23/94	TE Connectivity PLUG ASSEMBLY, STANDARD SEX, SERIES 1, 14-7, CMC											
DIMENSIONS: INCHES		CHK C.DORWART 05/24/94												
TOLERANCES UNLESS OTHERWISE SPECIFIED:		APVD A.FRANTUM 07/13/94												
<table border="1"> <tr><td>0 PLC</td><td>± -</td></tr> <tr><td>1 PLC</td><td>± -</td></tr> <tr><td>2 PLC</td><td>± -</td></tr> <tr><td>3 PLC</td><td>± -</td></tr> <tr><td>4 PLC</td><td>± -</td></tr> <tr><td>ANGLES</td><td>± -</td></tr> </table>		0 PLC				± -	1 PLC	± -	2 PLC	± -	3 PLC	± -	4 PLC	± -
0 PLC	± -													
1 PLC	± -													
2 PLC	± -													
3 PLC	± -													
4 PLC	± -													
ANGLES	± -													
MATERIAL		PRODUCT SPEC	SIZE	CAGE CODE	DRAWING NO	RESTRICTED TO								
SKT HSG: TERMOPLASTIC, BLACK SEAL: FLUOROCARBON ELASTOMER RTNR RING: STAINLESS STEEL CPLG RING: Δ PLUG SHELL: Δ		APPLICATION SPEC	A300779		C-208714	-								
FINISH		WEIGHT	CUSTOMER DRAWING		SCALE	SHEET								
CPLG RING: Δ		-	2:1		1 OF 1	REV H1								
PLUG SHELL: Δ														

THIS DRAWING IS A CONTROLLED DOCUMENT FOR AMP INCORPORATED. IT IS SUBJECT TO CHANGE AND THE CONTROLLING ENGINEERING ORGANIZATION SHOULD BE CONTACTED FOR THE LATEST REVISION.

Mouser Electronics

Authorized Distributor

Click to View Pricing, Inventory, Delivery & Lifecycle Information:

[TE Connectivity:](#)

[208714-1](#)