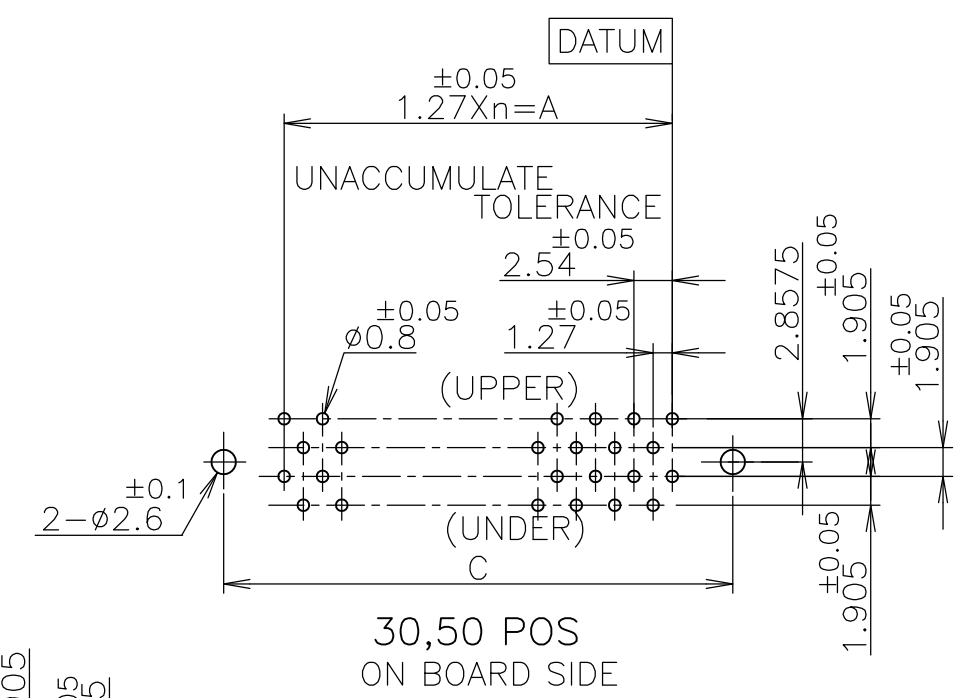
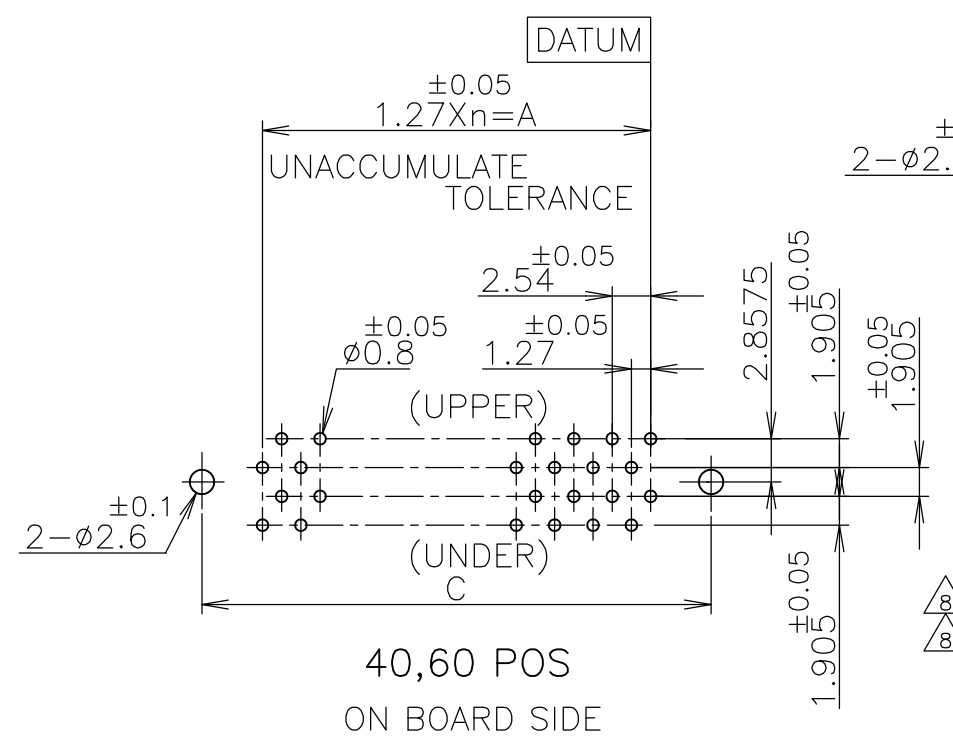
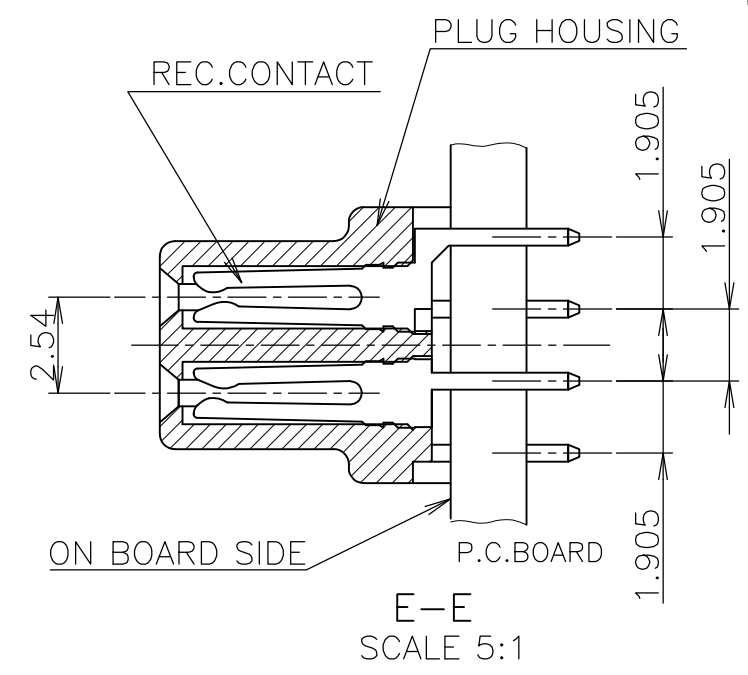
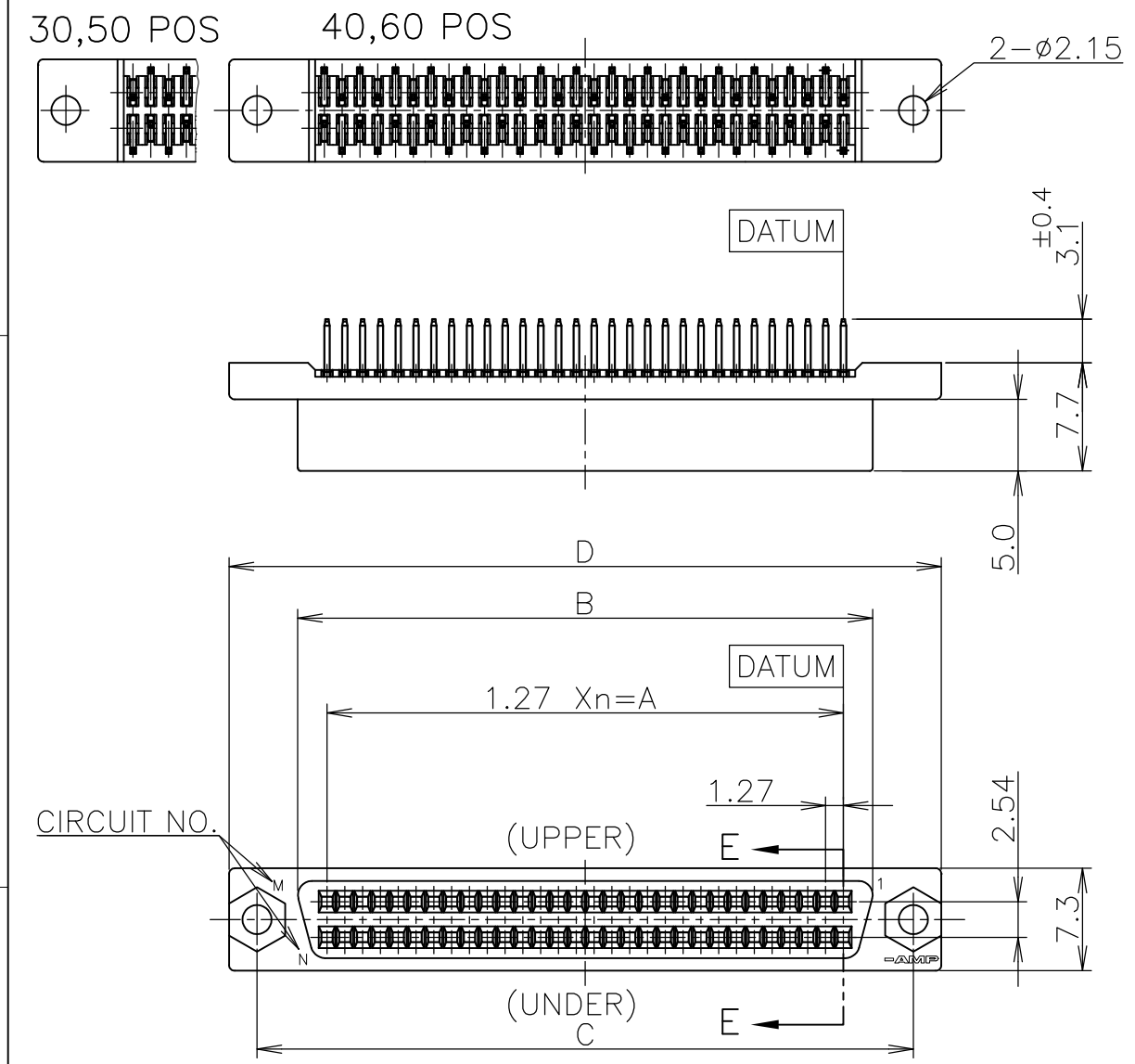


THIS DRAWING IS UNPUBLISHED. RELEASED FOR PUBLICATION AUG. 2004.
 © COPYRIGHT 2004 By - ALL RIGHTS RESERVED.

LOC	DIST	REVISIONS					
J	/	P	LTR	DESCRIPTION	DATE	DWN	APVD
		P		REVISED PER ECO-11-005033	28MAR11	RK	HMR



- 1 USE A P.C.B. WHOSE ARE TREATED WITH SOLDER RESIST.
 - 2 SHOW P.C.B LAYOUT FROM ON BOARD SURFACE SIDE.
 - 3 NUMBER THE CONTACT IN THE P.C.B OR CONNECTOR CONSECUTIVELY FROM "DATUM" SIDE.
 - 4 APPLY M2 SCREW & NUT TO FIX OF CONNECTOR.
- ⑤ HOUSING MATERIAL : P.B.T(UL94V-0) / BLACK
- ⑥ CONTACT MATERIAL : PHO-BRONZE
- ⑦ FINISH : NICKEL 0.00127 MIN THK. OVERALL SELECTIVE GOLD 0.00076 MIN. OR 0.0002 MIN. THK ON CONTACT AREA AND TIN 0.001 MIN THK. ON TINE AREA.
- ⑧ OBSOLETE PARTS: OBSOLETE CIS STREAMLINING PER D.RENAUD/D.SINISI

Au PL. 0.00076 MIN.	6-	-4	60	29	36.83	41.00	46.80	50.80
	6-	-3	50	24	30.48	34.65	40.45	44.45
	6-	-2	40	19	24.13	28.30	34.10	38.10
	6-	-1	30	14	17.78	21.95	27.75	31.75
Au PL. 0.0002 MIN.		-4	60	29	36.83	41.00	46.80	50.80
		-3	50	24	30.48	34.65	40.45	44.45
		-2	40	19	24.13	28.30	34.10	38.10
REMARK	5173279-1	30	14	17.78	21.95	27.75	31.75	
	PART NUMBER	POS	n	A	B	C	D	

LEAD FREE

GENERAL TOLERANCE
一般公差

10 \geq :	± 0.2
30 \geq > 10:	± 0.25
100 \geq > 30:	± 0.3
ANGLES:	$\pm 3^\circ$

THIS DRAWING IS A CONTROLLED DOCUMENT.

DIMENSIONS: mm

TOLERANCES UNLESS OTHERWISE SPECIFIED:

0 PLC	$\pm -$
1 PLC	$\pm -$
2 PLC	$\pm -$
3 PLC	$\pm -$
4 PLC	$\pm -$
ANGLES	$\pm -$
FINISH	$\pm -$

MATERIAL SEE-NOTE

FINISH SEE-NOTE

DWN COREL WANG 23AUG04

CHK STEVEN YAO 20AUG04

APVD I.ENOMOTO 20AUG04

PRODUCT SPEC 108-60036

APPLICATION SPEC

WEIGHT

CUSTOMER DRAWING

SCALE 2:1

SHEET 1 OF 1

REV P

RESTRICTED TO

STE TE Connectivity

PLUG ASSY (VERTICAL/ W/SCREW HOLE)
AMPLIMITE .050 SERIES I B-TO-B CONN.

NAME

SIZE A3

CAGE CODE 00779

DRAWING NO C-5173279

Mouser Electronics

Authorized Distributor

Click to View Pricing, Inventory, Delivery & Lifecycle Information:

[TE Connectivity:](#)

[5173279-3](#)