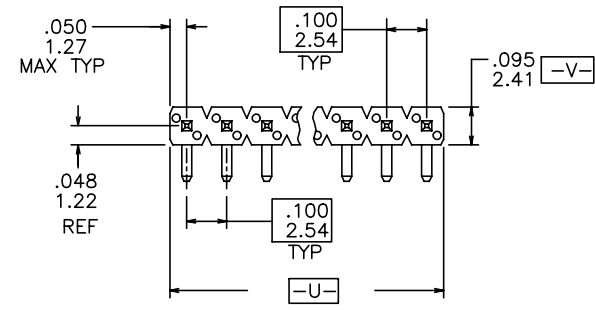


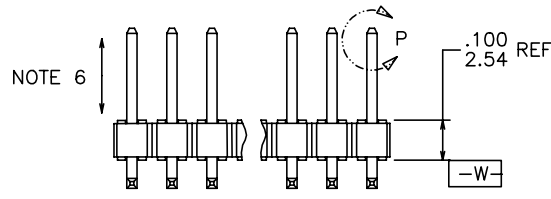
PRODUCT NUMBER

XXXXX-YYY HTLF

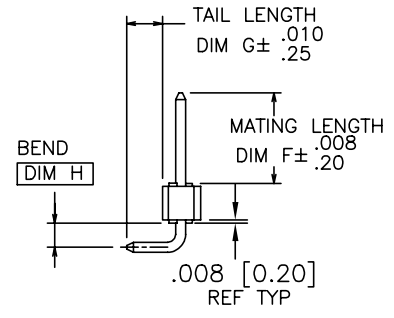
- LEAD FREE OPTION  
SEE NOTE 1,11
- TUBE PACKAGING OPTION  
SEE NOTE 1
- HIGH TEMPERATURE PLASTIC  
SEE NOTE 1
- NO OF POSITIONS  
SEE NOTE 1
- PIN PLATING  
SEE SHEET 2
- BASE PART NO.



TOP VIEW



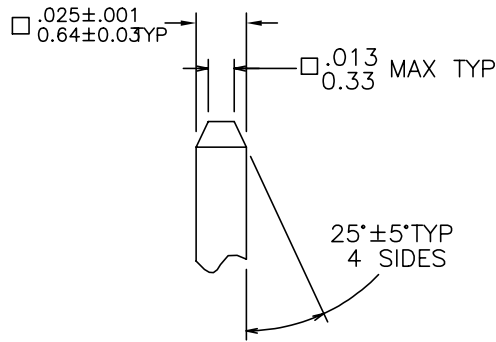
SIDE VIEW



END VIEW

⊕ ⌀.020/0.51 (M) U (M) V (S) W

NOTE 4



DETAIL P  
TYP BOTH ENDS

rev	ecn no	dr	date
AK	ELX-N-16105	ZK	2013-10-22
AL	ELX-N-17149	ZK	2014-03-07
CU	M05-0072	MHT	5/03/05
CV	M06-0435	MHT	10/31/06
AH	M08-0291	MHT	10/06/08
AJ	N11-0118	J.Z	2011-04-11

www.fciconnect.com			surface 6.4 ISO 1302	tolerance std ISO 406 ISO 1101	projection A4	INCH/MM Scale 1.000
Dr	D.WHITING	04/07/93	TOLERANCES UNLESS OTHERWISE SPECIFIED		size	ECN
Eng	T.HANNA	04/07/93	ANGULAR	LINEAR	0.X ±0.3	0.XX ±0.15
Chr	T.HANNA	04/07/93	0° ±2°		0.XXX ±0.05	
Appr	T.HANNA	04/07/93	Product family	BERGSTIK	Spec ref	
FCI			title		BERGSTIK® II HEADER	Rev.
			catalog no		.100 SR R/A SELF-RET	AL
			dwg no		69191	
			CUSTOMER			sheet 1 of 4



Copyright FCI.

PIN PLATING CODES:

XXXX-1YY	30u"/0.76u MIN (SEE NOTE 12) OVER 50u"/1.27u MIN Ni
XXXX-2YY	15u"/0.38u MIN (SEE NOTE 12) OVER 50u"/1.27u MIN Ni
XXXX-3YY	50u"/1.27u MIN (SEE NOTE 12) OVER 50u"/1.27u MIN Ni
XXXX-4YY	100u"/2.54u MIN Sn OVER 50u"/1.27u MIN Ni (SEE NOTE 1,13)
XXXX-4YYHLF	
XXXX-5YY	15u"/0.38u MIN (SEE NOTE 12) OVER 50u"/1.27u MIN Ni
XXXX-6YY	30u"/0.76u MIN (SEE NOTE 12) OVER 50u"/1.27u MIN Ni
XXXX-7YY	30u"/0.76u MIN (SEE NOTE 12) OVER 50u"/1.27u MIN Ni
XXXX-8YY	15u"/0.38u MIN (SEE NOTE 12) OVER 50u"/1.27u MIN Ni
XXXX-9YY	15u"/0.38u MIN (SEE NOTE 12) OVER 50u"/1.27u MIN Ni
XXXX-0YY	30u"/0.76u MIN (SEE NOTE 12) OVER 50u"/1.27u MIN Ni

NOTES

1. PART NUMBER OPTIONS:

PIN PLATING CODES (SEE ABOVE)

HIGH TEMP. MATERIAL:

FOR HIGH-TEMPERATURE APPLICATIONS, SPECIFY AN "H" AT THE END OF THE PART NUMBER, AND PCT WILL BE SUPPLIED.

NUMBER OF POSITION:

ANY NUMBER OF POSITIONS FROM 2 THRU 36.

PACKAGING:

PACKAGED IN POLY BAGS.

EIGHT DIGIT PART NUMBERS FOLLOWED BY A "T" ARE PACKAGED IN TUBES. SEE SPECIFIC PART NUMBERS FOR AVAILABILITY.

LEAD FREE:

ADD "HLF" SUFFIX AT THE END OF PART NUMBER FOR LEAD FREE OPTION, NOT AVAILABLE FOR -5YY,-5YYH,-6YY & -6YYH.

E. BODY MATERIAL:

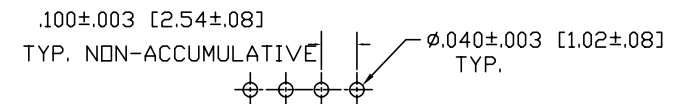
MANUFACTURER'S OPTION OF NYLON OR PCT, GLASS FIBER REINFORCED, FLAME RETARDENT PER UL-94V-0.

COLOR: BLACK. OR MINERAL FILLED LCP, COLOR BLACK FLAME RETARDENT PER UL-94V-0

PART NUMBERS WITH "H" SUFFIX WILL WITHSTAND EXPOSURE TO 260°C PEAK TEMPERATURE FOR 20 SECONDS IN WAVE SOLDER, INFRA-RED OR VAPOR PHASE SOLDER PROCESS.

PART NUMBERS WITHOUT "H" SUFFIX WILL WITHSTAND EXPOSURE TO 260°C PEAK TEMPERATURE FOR WAVE SOLDER PROCESS.

- 3. PIN MATERIAL: PHOS-BRONZE.
- 4. MEASURED WITH PART IN RESTRAINED CONDITION.
- 5. TWO SIDES OF PIN TIPS NOT PLATED, TYPICAL BOTH ENDS.
- 6. 2LBS/0.9KG MIN PIN RETENTION IN EITHER DIRECTION.
- 7. ±.010/0.25 ON DIM "F" APPLIES TO THIS PART ONLY.
- 8. 5LB/2.3KG MAX INSERTION FORCE AND .25LB/.1KG MIN RETENTION FORCE PER RETENTIVE PIN USING .062/1.57 THICK CIRCUIT BOARDS AND RECOMMENDED HOLE PATTERN.
- 8. DETAIL N DIMENSIONS APPLY TO 2 POSITION PARTS ONLY
- 9. SECTION R-R DIMENSIONS ONLY APPLY TO RETENTION. PIN POSITIONS FOR 3 POSITION PARTS AND LARGER. RETENTION PIN POSITIONS LOCATED AT MANUFACTURES OPTION.
- 10. SECTION S-S DIMENSIONS APPLY TO DUAL RETENTION PIN POSITIONS ONLY. SEE PRODUCT PART NUMBER FOR SINGLE OR DUAL SIDE RETENTION. LOCATED AT MANUFACTURER'S OPTION.
- 11. THESE PRODUCTS MEETS EUROPEAN UNION DIRECTIVES AND OTHER COUNTRY REGULATION AS DESCRIBED IN GS-22-008.
- 12. PLATING OPTIONS: PERFORMANCE PLATING WILL BE EITHER GOLD OR GXT ON POST OR TAIL, OPTIONALLY (78~295u"/2~7.5u) TIN ON TAIL.
- 13. "THIS PRODUCT HAS 100% TIN PLATING IN THE INTERFACE AND HAS NOT BEEN TESTED FOR WHISKER GROWTH IN ALL INTERCONNECT ENVIRONMENTS."



RECOMMENDED HOLE PATTERN

www.fciconnect.com			surface ISO 1302 ✓	tolerance std ISO 406 ISO 1101	projection A4	INCH/MM
			TOLERANCES UNLESS OTHERWISE SPECIFIED		←→	
Dr	D.WHITING	04/07/93	ANGULAR	0.X ±0.3	size	Scale
Eng	T.HANNA	04/07/93	LINEAR	0.XX ±0.15	A4	1.000
Chr	T.HANNA	04/07/93	0° ±2°	0.XXX ±0.05	ECN	
Appr	T.HANNA	04/07/93	Product family	BERGSTIK	Spec ref	
FCI			title	BERGSTIK® II HEADER .100 SR R/A SELF-RET	dwg no	69191
			catalog no	CUSTOMER	Rev.	AL
					sheet 2 of 4	

1

2

3

4

A

B

C

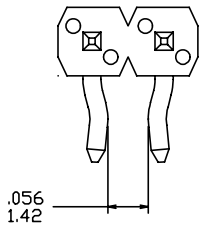
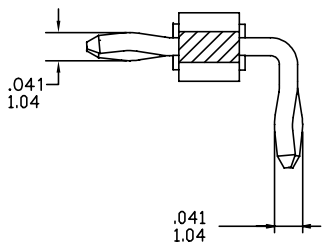
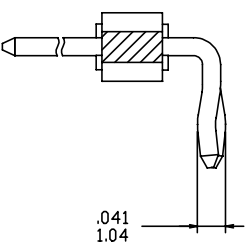
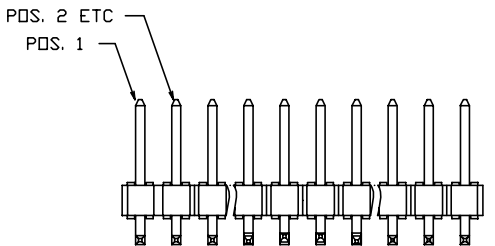
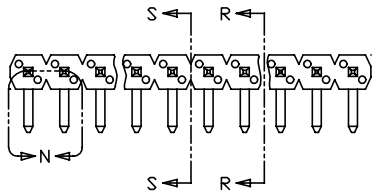
D

A

B

C

D



Copyright FCI.

www.fciconnect.com			surface ISO 1302 ✓		tolerance std ISO 406 ISO 1101		projection A4		INCH/MM ←→		
			TOLERANCES UNLESS OTHERWISE SPECIFIED		TOLERANCES UNLESS OTHERWISE SPECIFIED						
Dr	D.WHITING	04/07/93	ANGULAR	LINEAR	0.X	±0.3	size	A4	Scale		
Eng	T.HANNA	04/07/93			0.XX	±0.15			1.000		
Chr	T.HANNA	04/07/93	0°	±2°	0.XXX	±0.05	ECN				
Appr	T.HANNA	04/07/93	Product family		BERGSTIK		Spec ref				
FCI			title BERGSTIK® II HEADER .100 SR R/A SELF-RET				dwg no 69191		Rev. AL		
			catalog no				CUSTOMER		sheet 3 of 4		

REV F - 2006-04-17

1

2

3

4

PDS: Rev :AL

STATUS:Released

Printed: Mar 10, 2014

1

2

3

4

PRODUCT NUMBER	MATING LENGTH		TAIL LENGTH		BEND DIM		RETENTION	PACKAGING	NOTES	LF OPTION
	DIM F	DIM F	DIM G	DIM G	DIM H	DIM H				
69191-XYX	0.230	5.84	0.120	3.05	0.060	1.52	G TAIL	POLY BAGS/TUBES	-	NOTE 1,11
<del>72375-XYXH</del>	<del>0.240</del>	<del>6.10</del>	<del>0.120</del>	<del>3.05</del>	<del>0.060</del>	<del>1.52</del>	<del>G TAIL</del>	<del>POLY BAGS</del>	<del>-</del>	OB
78554-XYX	0.318	8.08	0.120	3.05	0.060	1.52	G TAIL	POLY BAGS/TUBES	-	
<del>78940-XYX</del>	<del>0.120</del>	<del>3.05</del>	<del>0.120</del>	<del>3.05</del>	<del>0.060</del>	<del>1.52</del>	<del>F MATE &amp; G TAIL</del>	<del>POLY BAGS</del>	<del>7</del>	OB
<del>78952-XYX</del>	<del>0.120</del>	<del>3.05</del>	<del>0.318</del>	<del>8.08</del>	<del>0.135</del>	<del>3.43</del>	<del>F MATE</del>	<del>POLY BAGS</del>	<del>7</del>	OB
79253-XYX	U N A V A I L A B L E									
<del>84825-XYXH</del>	<del>0.354</del>	<del>9.00</del>	<del>0.102</del>	<del>2.60</del>	<del>0.060</del>	<del>1.52</del>	<del>G TAIL</del>	<del>POLY BAGS</del>	<del>-</del>	OB
<del>84851-XYXH</del>	<del>0.140</del>	<del>3.56</del>	<del>0.290</del>	<del>7.37</del>	<del>0.153</del>	<del>3.89</del>	<del>G TAIL</del>	<del>POLY BAGS</del>	<del>-</del>	OB
86641-XYX	0.120	3.05	0.120	3.05	0.060	1.52	G TAIL	POLY BAGS	-	
87018-XYX	U N A V A I L A B L E									
87844-XYX	U N A V A I L A B L E									
87965-XYX	U N A V A I L A B L E									
<del>88869-XYX</del>	<del>0.120</del>	<del>3.05</del>	<del>0.230</del>	<del>5.84</del>	<del>0.135</del>	<del>3.43</del>	<del>F MATE</del>	<del>POLY BAGS</del>	<del>7</del>	OB
<del>90304-XYX</del>	<del>0.165</del>	<del>4.19</del>	<del>0.120</del>	<del>3.05</del>	<del>0.060</del>	<del>1.52</del>	<del>G TAIL</del>	<del>POLY BAGS</del>	<del>-</del>	OB
90604-XYX	U N A V A I L A B L E									
90609-XYX	U N A V A I L A B L E									
<del>90638-XYX</del>	<del>0.120</del>	<del>3.05</del>	<del>0.262</del>	<del>6.65</del>	<del>0.060</del>	<del>1.52</del>	<del>F MATE</del>	<del>POLY BAGS/TUBES</del>	<del>7</del>	OB
<del>90640-XYX</del>	<del>0.120</del>	<del>3.05</del>	<del>0.262</del>	<del>6.65</del>	<del>0.127</del>	<del>3.23</del>	<del>F MATE</del>	<del>POLY BAGS</del>	<del>7</del>	OB
94669-XYXH	0.230	5.84	0.085	2.16	0.060	1.52	G TAIL	POLY BAGS	-	OB
<del>94670-XYXH</del>	<del>0.400</del>	<del>10.16</del>	<del>0.085</del>	<del>2.16</del>	<del>0.060</del>	<del>1.52</del>	<del>G TAIL</del>	<del>POLY BAGS</del>	<del>-</del>	OB
10100500-XYXH	0.177	4.50	0.120	3.05	0.043	1.10	G TAIL	POLY BAGS	-	



Copyright FCI.

www.fciconnect.com			surface ISO 1302 ✓	tolerance std ISO 406 ISO 1101	projection A4	INCH/MM
			TOLERANCES UNLESS OTHERWISE SPECIFIED			
Dr	D.WHITING	04/07/93	ANGULAR	LINEAR	0.X ±0.3	size A4 Scale 1.000
Eng	T.HANNA	04/07/93			0.XX ±0.15	
Chr	T.HANNA	04/07/93	0° ±2°		0.XXX ±0.05	ECN
Appr	T.HANNA	04/07/93	Product family		BERGSTIK	Spec ref
FCI			title		BERGSTIK® II HEADER	dwg no 69191
					.100 SR R/A SELF-RET	Rev. AL
			catalog no		CUSTOMER	sheet 4 of 4

REV F - 2006-04-17

1

2

3

4

# Mouser Electronics

Authorized Distributor

Click to View Pricing, Inventory, Delivery & Lifecycle Information:

## FCI / Amphenol:

[78554-236HLF](#) [78554-405HLF](#) [78554-406HLF](#) [78554-411HLF](#) [78554-436HLF](#) [69191-115HLF](#) [69191-134HLF](#)  
[69191-206HLF](#) [69191-215HLF](#) [69191-217HLF](#) [69191-412HLF](#) [69191-436HLF](#) [69191-116HLF](#) [69191-208HLF](#)  
[69191-216HLF](#) [78554-220HLF](#) [86641-406HLF](#) [86641-412HLF](#)