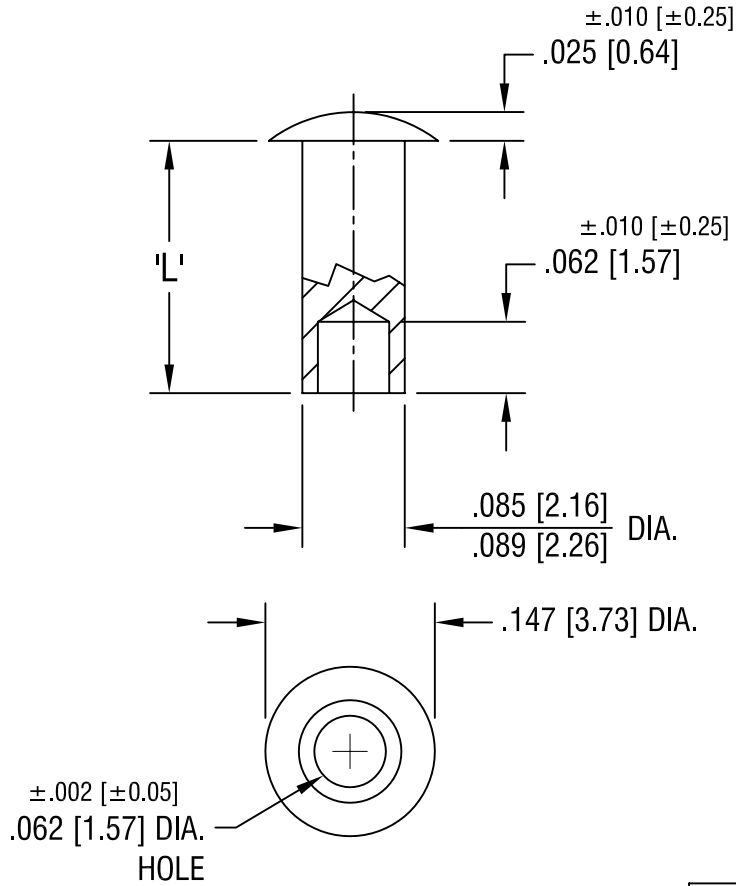


THIS DOCUMENT IS THE PROPERTY OF
KEYSTONE ELECTRONICS CORP. AND
SHALL NOT BE REPRODUCED, DISTRIBUTED
OR USED AS A BASIS FOR MANUFACTURE
WITHOUT PRIOR WRITTEN PERMISSION
FROM KEYSTONE ELECTRONICS CORP.



PART NO.	'L' DIM.
3384	.156 [3.96]
3385	.187 [4.75]
3386	.218 [5.54]
3387	.250 [6.35]

KEYSTONE ELECTRONICS CORP.

ASTORIA, N.Y. 11105-2017

PART NAME				RIVET, SEMI-TUBULAR			
MATERIAL				BRASS			
FINISH		DUCTILE NICKEL PLATE		DRN BY	BOONE	DATE	1.29.96
				APP'D	LN	SCALE	6X
TOLERANCES		INCH [MM]		CODE		DWG NO.	
DECIMAL		$\pm .005$ [± 0.15]		C/M		3384-3387	
ANGULAR		$\pm 1^\circ$		UNLESS OTHERWISE SPECIFIED			

2.26.08	CHANGE AS PER ECN 08-089	A
DATE	DESCRIPTION	REV.

Mouser Electronics

Authorized Distributor

Click to View Pricing, Inventory, Delivery & Lifecycle Information:

[Keystone Electronics:](#)

[3386](#) [3387](#) [3385](#) [3384](#)