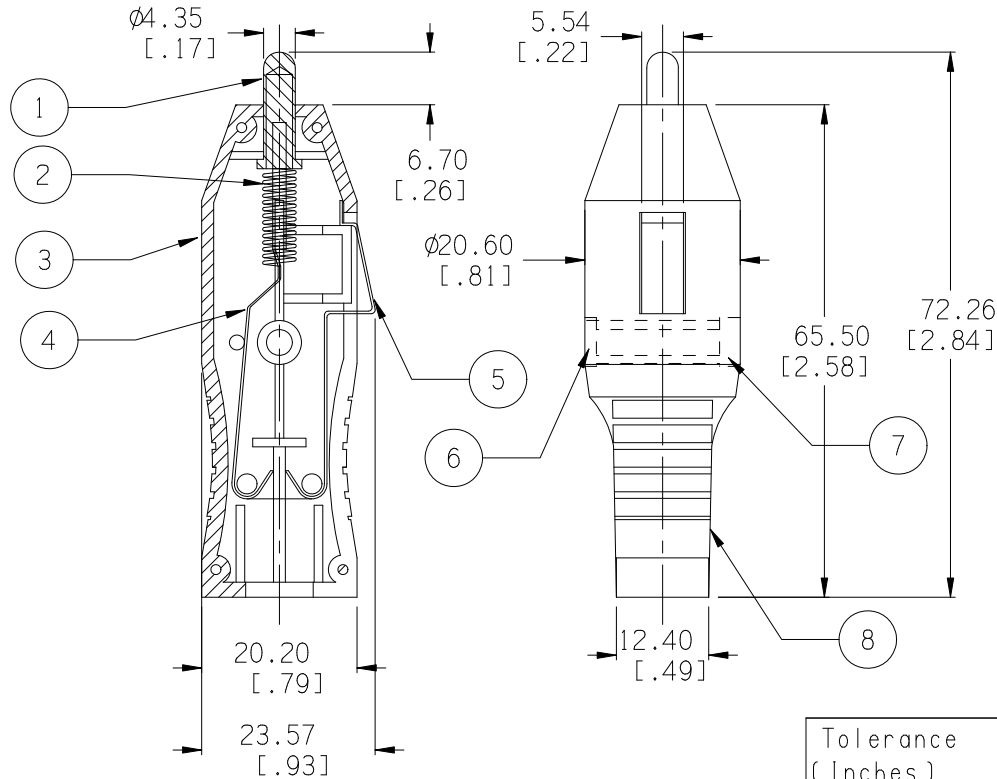



| ITEM NO. | PART NAME | MATL. SPECIFICATION | CAT. NO. | APPROVED NO. |
|----------|--------------------------|---------------------|----------|--------------|
| 1 | TIP CONTACT (+) TERMINAL | BRASS, NICKLE PLTD. | | |
| 2 | SPRING | SW70C, ZINC PLTD. | | |
| 3 | BODY, HALF | ABS, BLACK | | |
| 4 | CONTACT | BRASS, NICKLE PLTD. | | |
| 5 | (-) TERMINAL | BRASS, NICKLE PLTD. | | |
| 6 | PHILIPPS HEAD SCREW | STEEL, NICKLE PLTD. | | |
| 7 | NUT | STEEL, NICKLE PLTD. | | |
| 8 | BODY, HALF | ABS, BLACK | | |

| Date | SYM | REVISION RECORD | AUTH | DR. | CK. |
|----------|-----|--|------|------|-----|
| 08/28/14 | A | UPDATED TO ROHS 2 COMPLIANT | T.B. | B.S. | |
| 02/19/16 | B | DIM. 23.57 WAS 22.50 DIM. 6.70 WAS 6.40 | T.B. | B.S. | |
| | | | | | |
| | | | | | |
| | | | | | |



NOTE:
 MAXIMUM RATING: 5AMP.
 ROHS 2 COMPLIANT

| | | | |
|-------------------------------|---|--------------------------|--|
| Tolerance (Inches) |  Memory Protection Devices, Inc. 200 Broad Hollow Road, Farmingdale, New York 11735 | | |
| Decimal $\pm .5$ (.020) | Scale | Drawn By B.S. | |
| Fractional $\pm .8$ (.030) | Title CIGARETTE PLUG FOR 21mm DIA. SOCKETS | | |
| Angular $\pm 3^\circ$ | Date 02/19/16 | Drawing Number ZA1060 | |
| | | Approved By T.B. | |