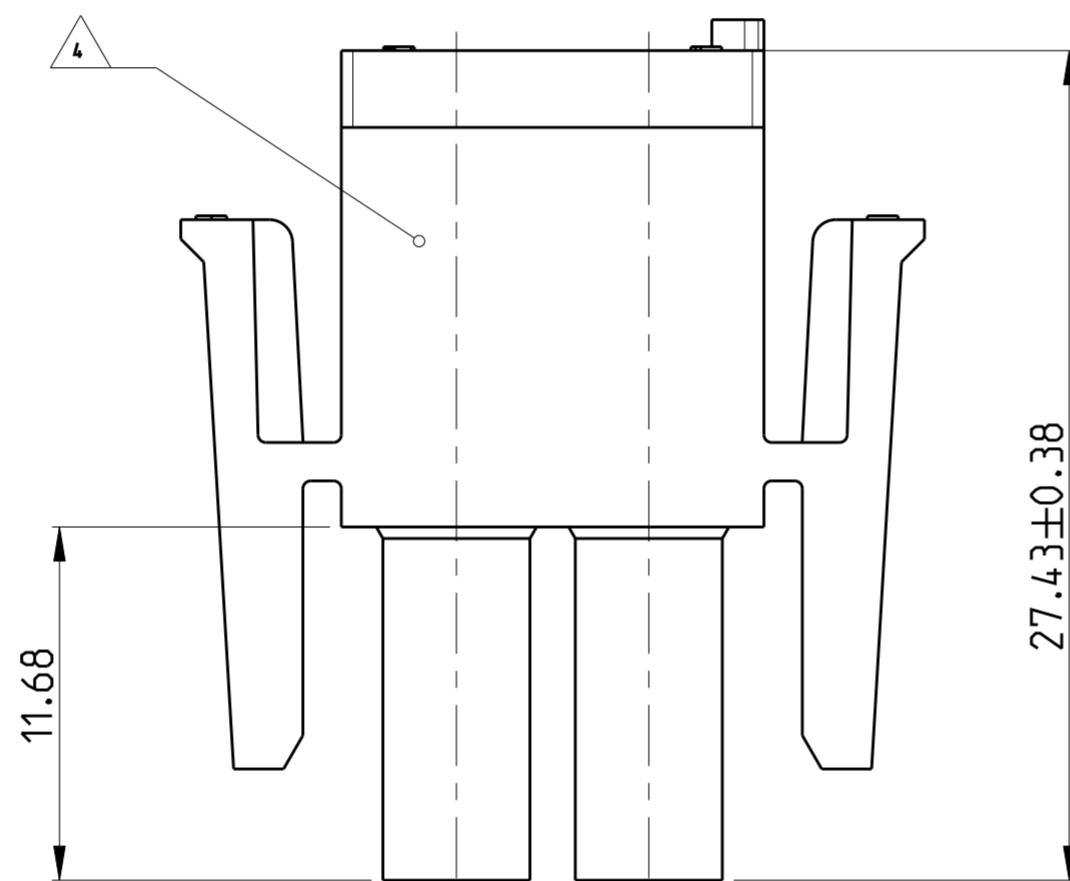
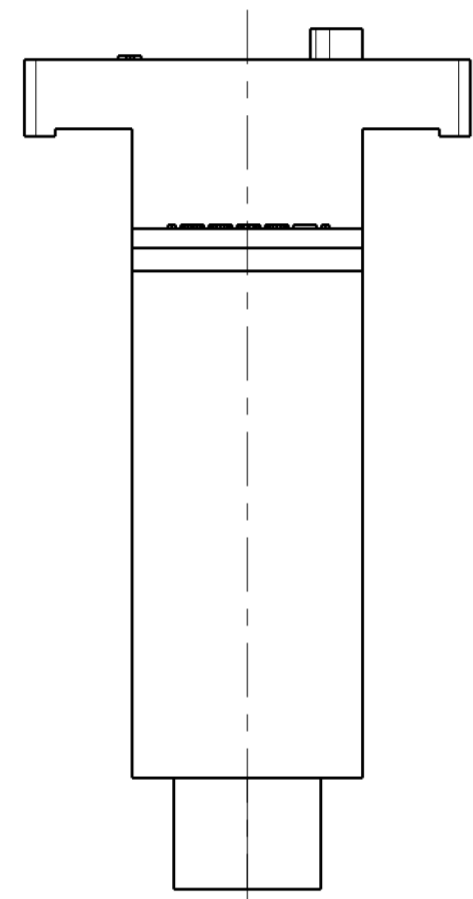
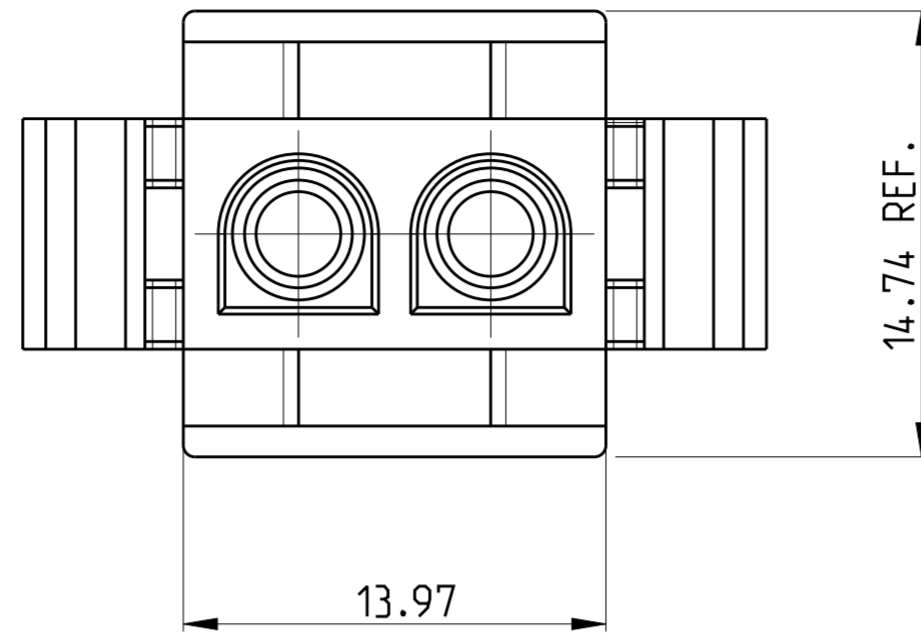


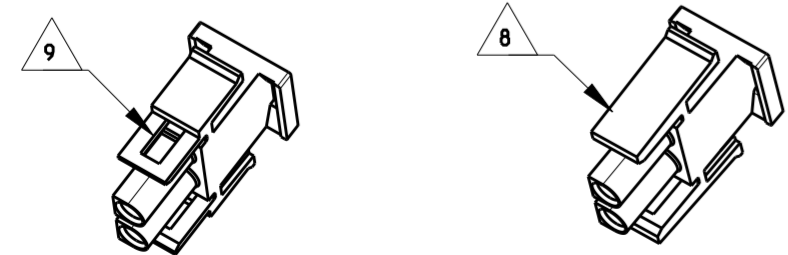
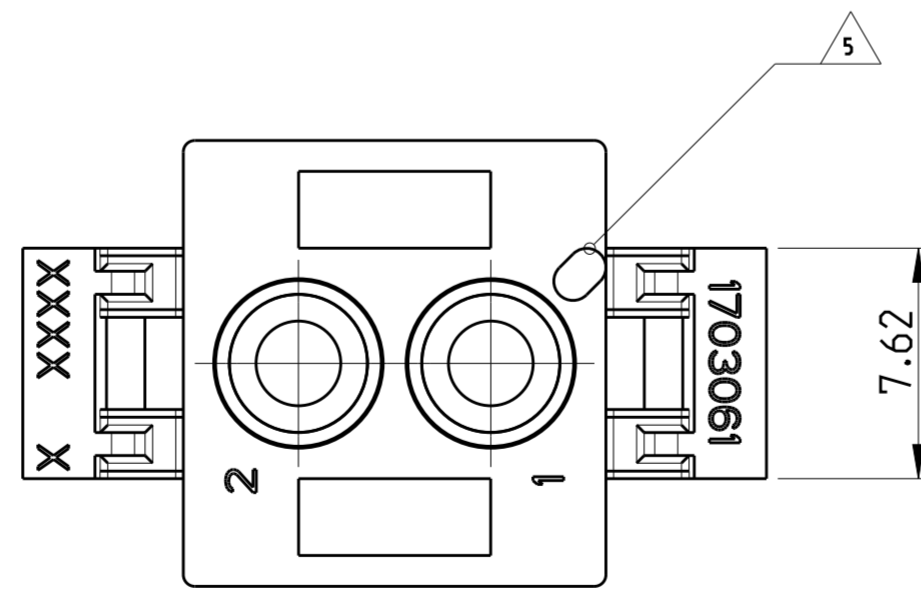
THIS DRAWING IS UNPUBLISHED. RELEASED FOR PUBLICATION 2003  
 © COPYRIGHT 2003 BY - ALL RIGHTS RESERVED.

LOC	DIST	REVISIONS					
A1	2	P	LTR	DESCRIPTION	DATE	DWN	APVD
			B6	REVISED PER ECR-17-014951	16OCT2017	BDA	KR



- 1 MATES WITH APPROPRIATE UNIVERSAL MATE-N-LOK CAP OR HEADER
- 2 SMALL NICKS ARE PERMITTED ON THE CIRCUIT TOWERS WHICH COULD INCREASE THE INITIAL HOUSING MATING FORCE BY UP TO 4.4 NEWTONS. NO INDIVIDUAL NICKED TOWER SHALL INCREASE THIS FORCE BY OVER 5.5 NEWTONS.
- 3 DIMENSIONS SHOWN REPRESENT PRODUCT IN DRY, AS MOLDED, CONDITION. ADDITIONAL 2% GROWTH DUE TO SUBSEQUENT MOISTURE ABSORPTION MAY OCCUR AND SHOULD BE ACCOUNTED FOR.

- △ 4 UNDERWRITERS RECOGNIZED COMPONENT LOGO AND CSA CERTIFICATION LOGO TO BE LOCATED ONCE ON ANY SIDE OF HOUSING
- △ 5 POSITION #1 LOCATOR FEATURE MAY BE ROUND OR OBLONG (AS DEPICTED)
- △ 6 MATERIAL CORRESPONDING TO THE REQUIREMENTS OF IEC 60335 (INCL. GLOW WIRE TEST 750 ° C. WITHOUT FLAME)
- △ 7 PRELIMINARY PART NOT RELEASED FOR PRODUCTION
- △ 8 NO LATCH WINDOW PRESENT.
- △ 9 LATCH WINDOW PRESENT.



1-1703061-3

REMARK	PN	REV	MATERIAL	COLOUR
△ 6 △ 9	1-1703061-3	1	PA66 UL94 V0 GWT 750 °C	NATURAL
△ 6 △ 8	1-1703061-2	A	PA66 UL94 V0 GWT 750 °C	NATURAL
△ 7 △ 8	1-1703061-1	1	PA6 UL94 V0	NATURAL
△ 6 △ 8	1703061-4	A	PA6 UL94 V2 GWT 750 °C	BLACK
△ 6 △ 8	1703061-3	A	PA6 UL94 V2 GWT 750 °C	RED
△ 6 △ 8	1703061-2	A	PA6 UL94 V2 GWT 750 °C	BLUE
△ 6 △ 8	1703061-1	A	PA6 UL94 V2 GWT 750 °C	NATURAL

THIS DRAWING IS A CONTROLLED DOCUMENT. DWN MAHNKE, B. 17OCT2008  
 CHK ZITZ, A. 26APR2004  
 APVD BLEICHER, M. 27APR2004

**STE** TE Connectivity

NAME: PLUG, 2 CIRCUIT, UNIVERSAL MATE-N-LOK

SIZE: A2 CAGE CODE: 00779 DRAWING NO: C-1703061 RESTRICTED TO: -

WEIGHT: 2.422 g SCALE: 4:1 SHEET 1 OF 1 REV: B6

CUSTOMER DRAWING

DIMENSIONS:	TOLERANCES UNLESS OTHERWISE SPECIFIED:
mm	0 PLC ±
	1 PLC ±
	2 PLC ±0.13
	3 PLC ±
	4 PLC ±
	ANGLES ±0°30'
	FINISH

# Mouser Electronics

Authorized Distributor

Click to View Pricing, Inventory, Delivery & Lifecycle Information:

[TE Connectivity:](#)

[1703061-1](#)