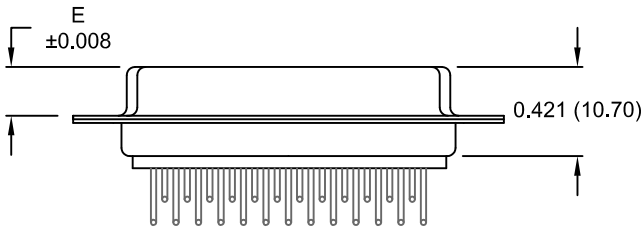
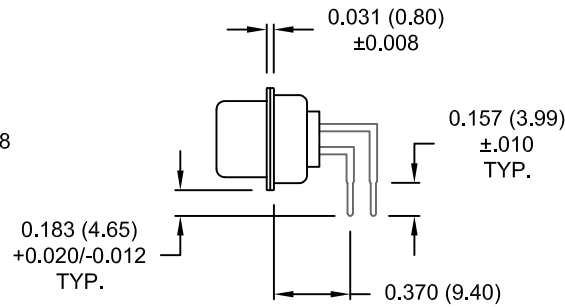
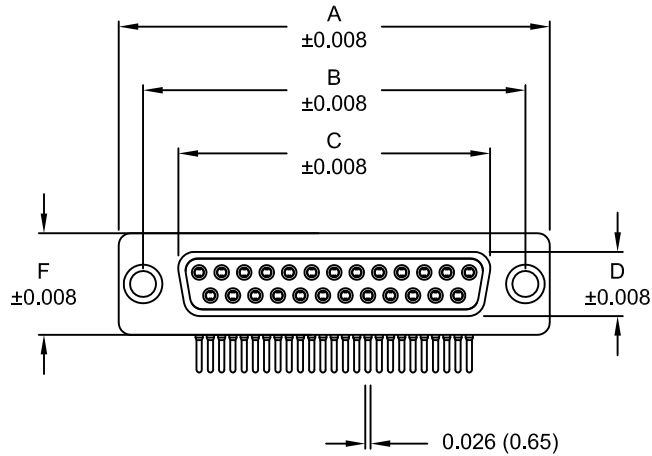


DESCRIPTION: FEMALE - 0.370 RIGHT ANGLE / MACHINED - ECONOMY



| DIMENSIONS (inch/mm) | | | | | | |
|----------------------|-------|-------|-------|-------|-------|-------|
| No. OF PINS | A | B | C | D | E | F |
| 9 | 1.213 | 0.984 | 0.642 | 0.311 | 0.228 | 0.492 |
| | 30.80 | 25.00 | 16.30 | 7.90 | 5.80 | 12.50 |
| 15 | 1.541 | 1.312 | 0.970 | 0.311 | 0.228 | 0.492 |
| | 39.20 | 33.30 | 24.60 | 7.90 | 5.80 | 12.50 |
| 25 | 2.089 | 1.852 | 1.512 | 0.311 | 0.228 | 0.492 |
| | 53.05 | 47.05 | 38.40 | 7.90 | 5.80 | 12.50 |
| 37 | 2.728 | 2.500 | 2.157 | 0.311 | 0.228 | 0.492 |
| | 69.40 | 63.50 | 54.80 | 7.90 | 5.80 | 12.50 |
| 50 | 2.638 | 2.402 | 2.055 | 0.429 | 0.236 | 0.602 |
| | 67.00 | 61.00 | 52.20 | 10.90 | 6.00 | 15.30 |

174-EYY-21YRYY1

- SERIES _____
- POSITIONS _____
- E09 _____
- E15 _____
- E25 _____
- E37 _____
- E50 _____
- GENDER _____
- 2 = FEMALE
- TERMINATION _____
- 1 = PC MOUNTING
- SHELL PLATING _____
- 3 = NICKEL
- RoHS COMPLIANT _____
- HARDWARE OPTIONS _____
- 00 = NO HARDWARE
- 01 = 0.098" CLINCH NUT (BOARD SIDE)
- 14 = SHORT BRACKET WITH 4-40 SCREW LOCK
- 24 = SHORT BRACKET WITH 4-40 SCREW
- 46 = BRACKET WITH 4-40 INSERT AND BOARDLOCK
- PLATING OPTIONS _____
- 1 = GOLD FLASH
- 2 = 30MICRO-INCH GOLD
- 3 = 50MICRO-INCH GOLD

MATERIAL:

- SHELL: STEEL, NICKEL PLATED
- INSULATOR: UL 94V-O RATED, WHITE PA6T
- PROCESS TEMP.: 260° PROCESS TEMPERATURE
- CONTACT: PRECISION MACHINED COPPER ALLOY

ELECTRICAL:

- CURRENT RATING: 5 AMPS
- CONTACT RESISTANCE: 10 mOhms Max.
- INSULATION RESISTANCE: 5 GOhms Min.
- VOLTAGE: 1000 V AC FOR 1 MINUTE
- TEMPERATURE: -55° C TO +125° C

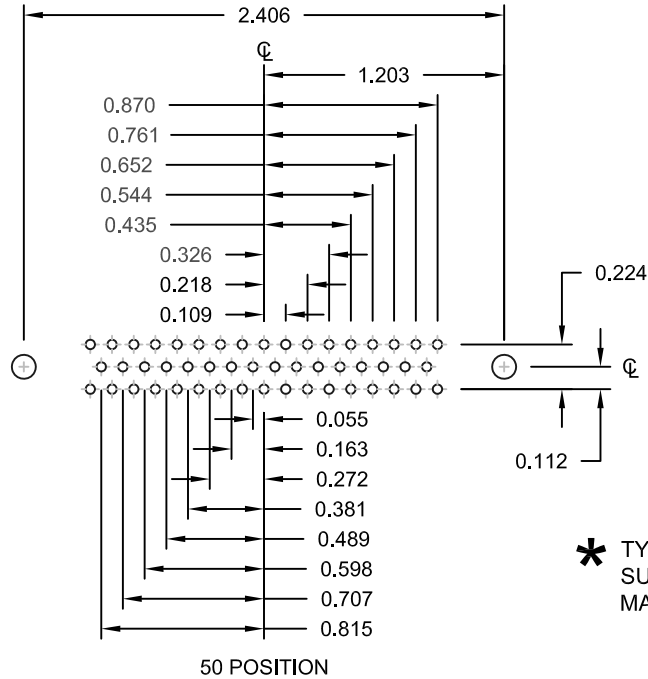
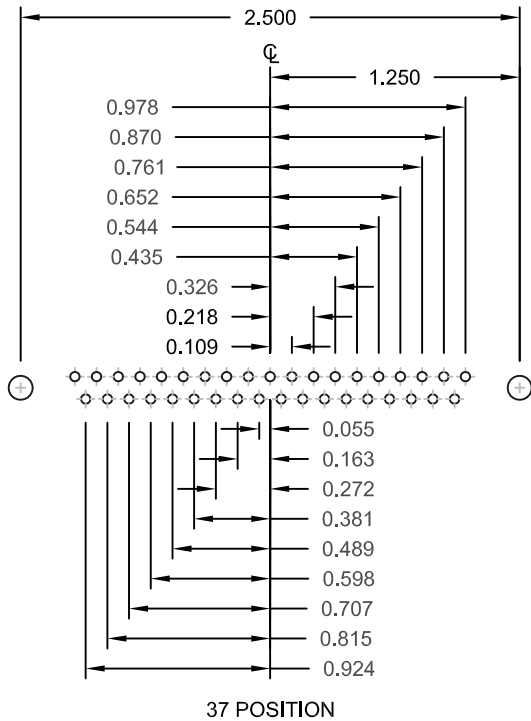
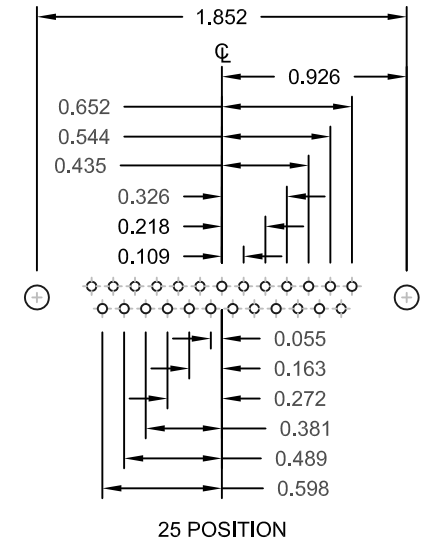
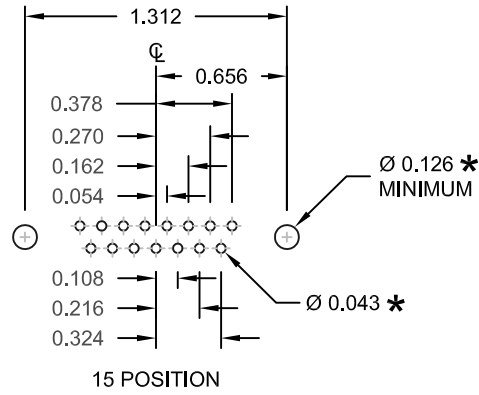
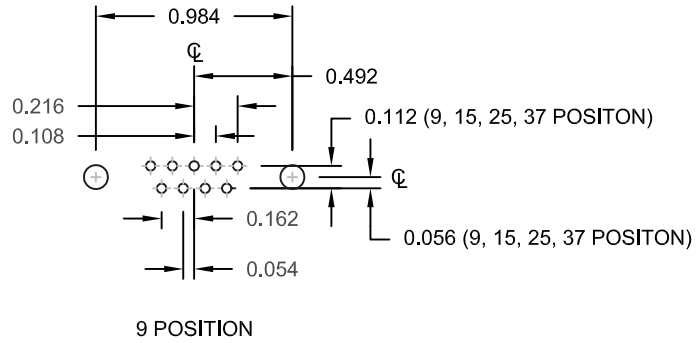
UNITS = inch [mm]

DO NOT SCALE FROM DRAWING

RoHS COMPLIANT

| | | | | |
|--|---|--|-------------------------|-------------------|
| | THESE DRAWINGS AND SPECIFICATIONS ARE THE PROPERTY OF NorComp AND SHALL NOT BE REPRODUCED, COPIED OR USED AS THE BASIS FOR THE MANUFACTURE OF SALE OF APPARATUS WITHOUT WRITTEN PERMISSION. | | DRAWN: PAM JENKINS | DATE: 11-28-05 |
| | <h1>NorComp</h1> | | SCALE: NTS | SHEET 1 OF 3 |
| | | | DWG NO. 174-EYY-21YRYY1 | |

DESCRIPTION: PCB LAYOUT



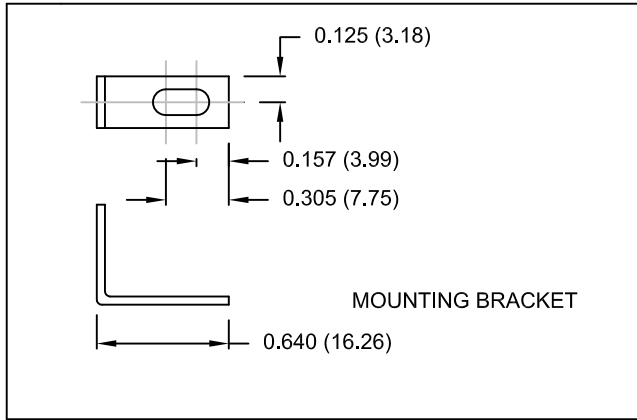
UNITS = inch

* TYP. SUGGESTED SIZE MAY NOT BE SUITABLE FOR ALL APPLICATIONS

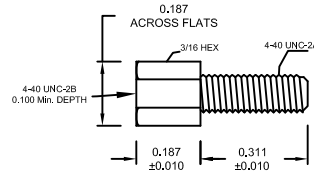
DO NOT SCALE FROM DRAWING

| | | | | |
|------------------------|---|--|-----------------------|-------------------|
| | THESE DRAWINGS AND SPECIFICATIONS ARE THE PROPERTY OF NorComp AND SHALL NOT BE REPRODUCED, COPIED OR USED AS THE BASIS FOR THE MANUFACTURE OF SALE OF APPARATUS WITHOUT WRITTEN PERMISSION. | | DRAWN: PAM JENKINS | DATE: 11-28-05 |
| | <h1>NorComp</h1> | | SCALE: NTS | SHEET OF 2 3 |
| DWG NO. 174-EYY-21YRY1 | | | | |

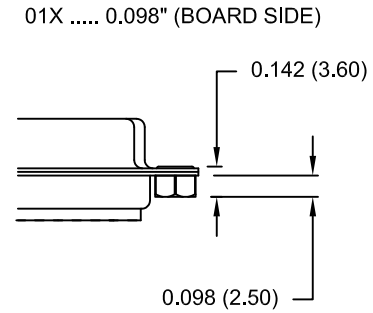
DESCRIPTION: HARDWARE



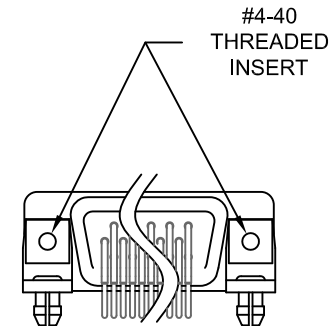
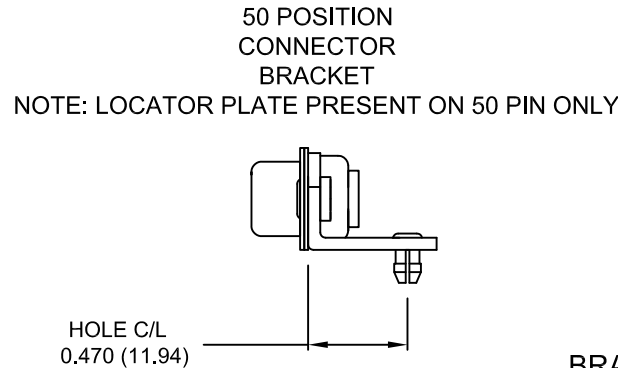
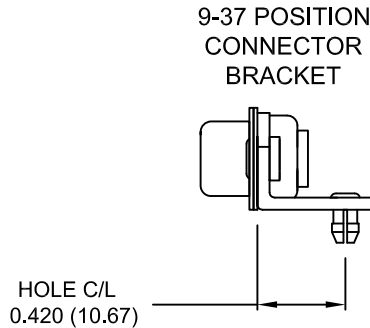
14Y = SHORT BRACKET & 4-40 FEMALE HEX SOCKET
 24Y = SHORT BRACKET & 4-40 SCREW



CLINCH-NUT HAS 4-40 INTERNAL THREADS



46Y = BRACKET WITH 4-40 INSERT AND BOARDLOCK



BRACKETS MOUNTED ON CONNECTOR

DO NOT SCALE FROM DRAWING

UNITS = inch [mm]



THESE DRAWINGS AND SPECIFICATIONS ARE THE PROPERTY OF NorComp AND SHALL NOT BE REPRODUCED, COPIED OR USED AS THE BASIS FOR THE MANUFACTURE OF SALE OF APPARATUS WITHOUT WRITTEN PERMISSION.

| | | | |
|------------------------|------------|-------------------|-----------|
| DRAWN: PAM JENKINS | | DATE: 11-28-05 | |
| SCALE: NTS | SHEET 3 | OF 3 | REV 15 |
| DWG NO. 174-EYY-21YRY1 | | | |

RoHS COMPLIANT

NorComp

Mouser Electronics

Authorized Distributor

Click to View Pricing, Inventory, Delivery & Lifecycle Information:

[NorComp:](#)

[174-E09-213R001](#) [174-E15-213R001](#) [174-E25-213R001](#) [174-E37-213R001](#) [174-E50-213R001](#)