

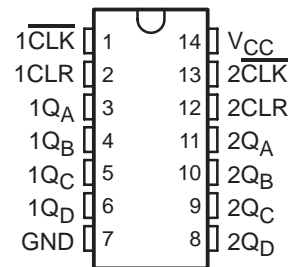
SN74LV393A-EP DUAL 4-BIT BINARY COUNTER

SCLS566A – JANUARY 2004 – REVISED MAY 2004

- **Controlled Baseline**
 - One Assembly/Test Site, One Fabrication Site
- **Extended Temperature Performance of –40°C to 105°C**
- **Enhanced Diminishing Manufacturing Sources (DMS) Support**
- **Enhanced Product-Change Notification**
- **Qualification Pedigree†**
- **2-V to 5.5-V V_{CC} Operation**
- **Max t_{pd} of 14.5 ns at 5 V**
- **Typical V_{OLP} (Output Ground Bounce) <0.8 V at V_{CC} = 3.3 V, T_A = 25°C**
- **Typical V_{OHV} (Output V_{OH} Undershoot) >2.3 V at V_{CC} = 3.3 V, T_A = 25°C**
- **I_{off} Supports Partial-Power-Down-Mode Operation**
- **Dual 4-Bit Binary Counters With Individual Clocks**
- **Direct Clear for Each 4-Bit Counter**
- **Can Significantly Improve System Densities by Reducing Counter Package Count by 50 Percent**

† Component qualification in accordance with JEDEC and industry standards to ensure reliable operation over an extended temperature range. This includes, but is not limited to, Highly Accelerated Stress Test (HAST) or biased 85/85, temperature cycle, autoclave or unbiased HAST, electromigration, bond intermetallic life, and mold compound life. Such qualification testing should not be viewed as justifying use of this component beyond specified performance and environmental limits.

PW PACKAGE
(TOP VIEW)



description/ordering information

The SN74LV393A contains eight flip-flops and additional gating to implement two individual 4-bit counters in a single package. This device is designed for 2-V to 5.5-V V_{CC} operation.

This device comprises two independent 4-bit binary counters, each having a clear (CLR) and a clock ($\overline{\text{CLK}}$) input. The device changes state on the negative-going transition of the $\overline{\text{CLK}}$ pulse. N-bit binary counters can be implemented with each package, providing the capability of divide by 256. The SN74LV393A has parallel outputs from each counter stage so that any submultiple of the input count frequency is available for system timing signals.

This device is fully specified for partial-power-down applications using I_{off}. The I_{off} circuitry disables the outputs, preventing damaging current backflow through the device when it is powered down.

ORDERING INFORMATION

| T _A | PACKAGE‡ | | ORDERABLE PART NUMBER | TOP-SIDE MARKING |
|----------------|------------|---------------|-----------------------|------------------|
| | TSSOP – PW | Tape and reel | | |
| –40°C to 105°C | TSSOP – PW | Tape and reel | SN74LV393ATPWREP | LV393EP |

‡ Package drawings, standard packing quantities, thermal data, symbolization, and PCB design guidelines are available at www.ti.com/sc/package.

FUNCTION TABLE

| INPUTS | | FUNCTION |
|-------------------------|-----|-----------------------|
| $\overline{\text{CLK}}$ | CLR | |
| ↑ | L | No change |
| ↓ | L | Advance to next stage |
| X | H | All outputs L |



Please be aware that an important notice concerning availability, standard warranty, and use in critical applications of Texas Instruments semiconductor products and disclaimers thereto appears at the end of this data sheet.

PRODUCTION DATA information is current as of publication date. Products conform to specifications per the terms of Texas Instruments standard warranty. Production processing does not necessarily include testing of all parameters.

 **TEXAS
INSTRUMENTS**

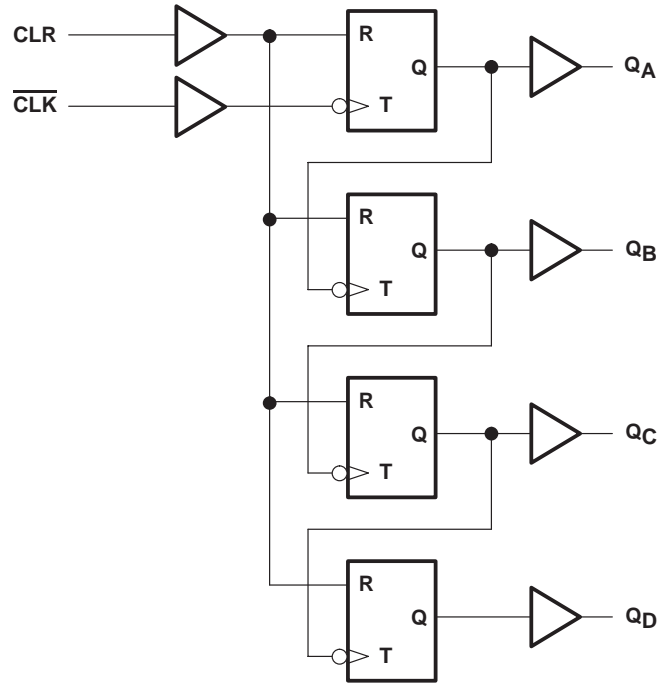
POST OFFICE BOX 655303 • DALLAS, TEXAS 75265

Copyright © 2004, Texas Instruments Incorporated

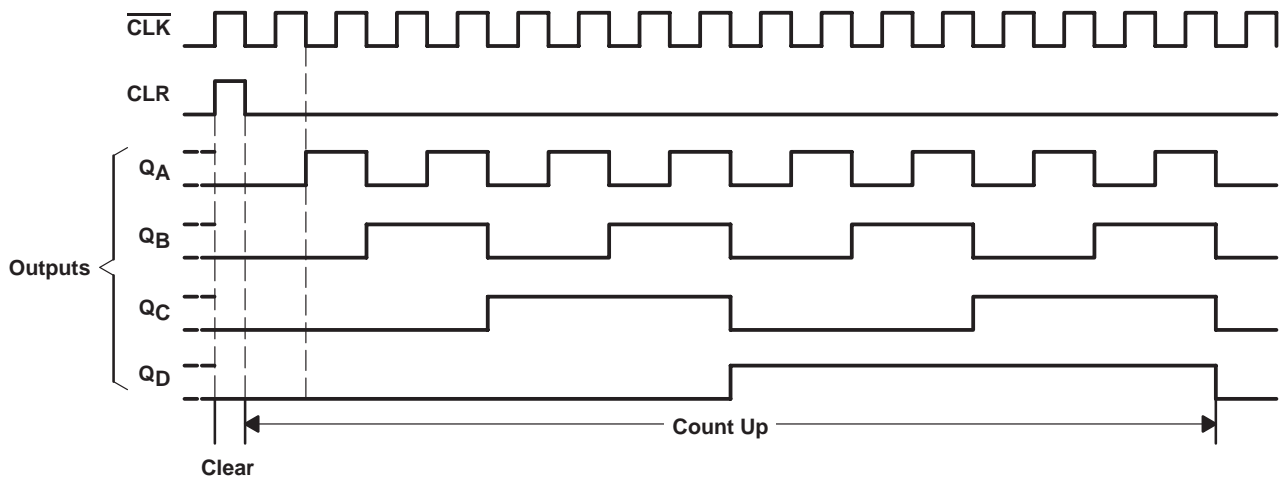
SN74LV393A-EP DUAL 4-BIT BINARY COUNTER

SCLS566A – JANUARY 2004 – REVISED MAY 2004

logic diagram, each counter (positive logic)



timing diagram



SN74LV393A-EP DUAL 4-BIT BINARY COUNTER

SCLS566A – JANUARY 2004 – REVISED MAY 2004

absolute maximum ratings over operating free-air temperature range (unless otherwise noted)†

| | |
|--|----------------------------|
| Supply voltage range, V_{CC} | –0.5 V to 7 V |
| Input voltage range, V_I (see Note 1) | –0.5 V to 7 V |
| Output voltage range applied in high or low state, V_O (see Notes 1 and 2) | –0.5 V to $V_{CC} + 0.5$ V |
| Output voltage range applied in power-off state, V_O (see Note 1) | –0.5 V to 7 V |
| Input clamp current, I_{IK} ($V_I < 0$) | –20 mA |
| Output clamp current, I_{OK} ($V_O < 0$) | –50 mA |
| Continuous output current, I_O ($V_O = 0$ to V_{CC}) | ±25 mA |
| Continuous current through V_{CC} or GND | ±50 mA |
| Package thermal impedance, θ_{JA} (see Note 3) | 113°C/W |
| Storage temperature range, T_{stg} | –65°C to 150°C |

† Stresses beyond those listed under “absolute maximum ratings” may cause permanent damage to the device. These are stress ratings only, and functional operation of the device at these or any other conditions beyond those indicated under “recommended operating conditions” is not implied. Exposure to absolute-maximum-rated conditions for extended periods may affect device reliability.

- NOTES: 1. The input and output negative-voltage ratings may be exceeded if the input and output current ratings are observed.
 2. This value is limited to 7 V maximum.
 3. The package thermal impedance is calculated in accordance with JESD 51-7.

recommended operating conditions (see Note 4)

| | | MIN | MAX | UNIT |
|---------------------|------------------------------------|---------------------------|---------------------|---------|
| V_{CC} | Supply voltage | 2 | 5.5 | V |
| V_{IH} | High-level input voltage | $V_{CC} = 2$ V | 1.5 | V |
| | | $V_{CC} = 2.3$ V to 2.7 V | $V_{CC} \times 0.7$ | |
| | | $V_{CC} = 3$ V to 3.6 V | $V_{CC} \times 0.7$ | |
| | | $V_{CC} = 4.5$ V to 5.5 V | $V_{CC} \times 0.7$ | |
| V_{IL} | Low-level input voltage | $V_{CC} = 2$ V | 0.5 | V |
| | | $V_{CC} = 2.3$ V to 2.7 V | $V_{CC} \times 0.3$ | |
| | | $V_{CC} = 3$ V to 3.6 V | $V_{CC} \times 0.3$ | |
| | | $V_{CC} = 4.5$ V to 5.5 V | $V_{CC} \times 0.3$ | |
| V_I | Input voltage | 0 | 5.5 | V |
| V_O | Output voltage | 0 | V_{CC} | V |
| I_{OH} | High-level output current | $V_{CC} = 2$ V | –50 | μ A |
| | | $V_{CC} = 2.3$ V to 2.7 V | –2 | mA |
| | | $V_{CC} = 3$ V to 3.6 V | –6 | |
| | | $V_{CC} = 4.5$ V to 5.5 V | –12 | |
| I_{OL} | Low-level output current | $V_{CC} = 2$ V | 50 | μ A |
| | | $V_{CC} = 2.3$ V to 2.7 V | 2 | mA |
| | | $V_{CC} = 3$ V to 3.6 V | 6 | |
| | | $V_{CC} = 4.5$ V to 5.5 V | 12 | |
| $\Delta t/\Delta v$ | Input transition rise or fall rate | $V_{CC} = 2.3$ V to 2.7 V | 200 | ns/V |
| | | $V_{CC} = 3$ V to 3.6 V | 100 | |
| | | $V_{CC} = 4.5$ V to 5.5 V | 20 | |
| T_A | Operating free-air temperature | –40 | 105 | °C |

NOTE 4: All unused inputs of the device must be held at V_{CC} or GND to ensure proper device operation. Refer to the TI application report, *Implications of Slow or Floating CMOS Inputs*, literature number SCBA004.



SN74LV393A-EP

DUAL 4-BIT BINARY COUNTER

SCLS566A – JANUARY 2004 – REVISED MAY 2004

electrical characteristics over recommended operating free-air temperature range (unless otherwise noted)

| PARAMETER | TEST CONDITIONS | V _{CC} | MIN | TYP | MAX | UNIT |
|------------------|---|-----------------|----------------------|-----|-----|------|
| V _{OH} | I _{OH} = -50 μA | 2 V to 5.5 V | V _{CC} -0.1 | | | V |
| | I _{OH} = -2 mA | 2.3 V | 2 | | | |
| | I _{OH} = -6 mA | 3 V | 2.48 | | | |
| | I _{OH} = -12 mA | 4.5 V | 3.8 | | | |
| V _{OL} | I _{OL} = 50 μA | 2 V to 5.5 V | 0.1 | | | V |
| | I _{OL} = 2 mA | 2.3 V | 0.4 | | | |
| | I _{OL} = 6 mA | 3 V | 0.44 | | | |
| | I _{OL} = 12 mA | 4.5 V | 0.55 | | | |
| I _I | V _I = 5.5 V or GND | 0 to 5.5 V | ±1 | | | μA |
| I _{CC} | V _I = V _{CC} or GND, I _O = 0 | 5.5 V | 20 | | | μA |
| I _{off} | V _I or V _O = 0 to 5.5 V | 0 | 5 | | | μA |
| C _i | V _I = V _{CC} or GND | 3.3 V | 1.8 | | | pF |

timing requirements over recommended operating free-air temperature range, V_{CC} = 2.5 V ± 0.2 V (unless otherwise noted) (see Figure 1)

| | | T _A = 25°C | | MIN | MAX | UNIT |
|-----------------|----------------|--------------------------|-----|-----|-----|------|
| | | MIN | MAX | | | |
| t _w | Pulse duration | CLK high or low | 5 | 5 | ns | |
| | | CLR high | 5 | 5 | | |
| t _{su} | Setup time | CLR inactive before CLK↓ | 6 | 6 | ns | |

timing requirements over recommended operating free-air temperature range, V_{CC} = 3.3 V ± 0.3 V (unless otherwise noted) (see Figure 1)

| | | T _A = 25°C | | MIN | MAX | UNIT |
|-----------------|----------------|--------------------------|-----|-----|-----|------|
| | | MIN | MAX | | | |
| t _w | Pulse duration | CLK high or low | 5 | 5 | ns | |
| | | CLR high | 5 | 5 | | |
| t _{su} | Setup time | CLR inactive before CLK↓ | 5 | 5 | ns | |

timing requirements over recommended operating free-air temperature range, V_{CC} = 5 V ± 0.5 V (unless otherwise noted) (see Figure 1)

| | | T _A = 25°C | | MIN | MAX | UNIT |
|-----------------|----------------|--------------------------|-----|-----|-----|------|
| | | MIN | MAX | | | |
| t _w | Pulse duration | CLK high or low | 5 | 5 | ns | |
| | | CLR high | 5 | 5 | | |
| t _{su} | Setup time | CLR inactive before CLK↓ | 4 | 4 | ns | |



SN74LV393A-EP DUAL 4-BIT BINARY COUNTER

SCLS566A – JANUARY 2004 – REVISED MAY 2004

switching characteristics over recommended operating free-air temperature range,
 $V_{CC} = 2.5\text{ V} \pm 0.2\text{ V}$ (unless otherwise noted) (see Figure 1)

| PARAMETER | FROM (INPUT) | TO (OUTPUT) | LOAD CAPACITANCE | $T_A = 25^\circ\text{C}$ | | | MIN | MAX | UNIT |
|------------|-------------------------|-------------|----------------------|--------------------------|------|-----|-----|------|------|
| | | | | MIN | TYP | MAX | | | |
| f_{\max} | | | $C_L = 50\text{ pF}$ | 30 | 70 | | 25 | | MHz |
| t_{pd} | $\overline{\text{CLK}}$ | Q_A | $C_L = 50\text{ pF}$ | 9.3 | 21.3 | | 1 | 24.5 | ns |
| | | Q_B | | 10.9 | 23.9 | | 1 | 27.5 | |
| | | Q_C | | 12.3 | 26.1 | | 1 | 30 | |
| | | Q_D | | 13.4 | 27.8 | | 1 | 32 | |
| t_{PHL} | CLR | Q_n | $C_L = 50\text{ pF}$ | 9.1 | 17.4 | | 1 | 20 | ns |

switching characteristics over recommended operation free-air temperature range,
 $V_{CC} = 3.3\text{ V} \pm 0.3\text{ V}$ (unless otherwise noted) (see Figure 1)

| PARAMETER | FROM (INPUT) | TO (OUTPUT) | LOAD CAPACITANCE | $T_A = 25^\circ\text{C}$ | | | MIN | MAX | UNIT |
|------------|-------------------------|-------------|----------------------|--------------------------|------|-----|-----|------|------|
| | | | | MIN | TYP | MAX | | | |
| f_{\max} | | | $C_L = 50\text{ pF}$ | 45 | 105 | | 35 | | MHz |
| t_{pd} | $\overline{\text{CLK}}$ | Q_A | $C_L = 50\text{ pF}$ | 6.7 | 16.7 | | 1 | 19 | ns |
| | | Q_B | | 7.8 | 19.3 | | 1 | 22 | |
| | | Q_C | | 8.7 | 21.5 | | 1 | 24.5 | |
| | | Q_D | | 9.5 | 23.2 | | 1 | 26.5 | |
| t_{PHL} | CLR | Q_n | $C_L = 50\text{ pF}$ | 6.8 | 15.8 | | 1 | 18 | ns |

switching characteristics over recommended operating free-air temperature range,
 $V_{CC} = 5\text{ V} \pm 0.5\text{ V}$ (unless otherwise noted) (see Figure 1)

| PARAMETER | FROM (INPUT) | TO (OUTPUT) | LOAD CAPACITANCE | $T_A = 25^\circ\text{C}$ | | | MIN | MAX | UNIT |
|------------|-------------------------|-------------|----------------------|--------------------------|------|-----|-----|------|------|
| | | | | MIN | TYP | MAX | | | |
| f_{\max} | | | $C_L = 50\text{ pF}$ | 85 | 150 | | 75 | | MHz |
| t_{pd} | $\overline{\text{CLK}}$ | Q_A | $C_L = 50\text{ pF}$ | 4.9 | 10.5 | | 1 | 12 | ns |
| | | Q_B | | 5.6 | 11.8 | | 1 | 13.5 | |
| | | Q_C | | 6.2 | 13.2 | | 1 | 15 | |
| | | Q_D | | 6.6 | 14.5 | | 1 | 16.5 | |
| t_{PHL} | CLR | Q_n | $C_L = 50\text{ pF}$ | 5.2 | 10.1 | | 1 | 11.5 | ns |



SN74LV393A-EP

DUAL 4-BIT BINARY COUNTER

SCLS566A – JANUARY 2004 – REVISED MAY 2004

noise characteristics, $V_{CC} = 3.3\text{ V}$, $C_L = 50\text{ pF}$, $T_A = 25^\circ\text{C}$ (see Note 5)

| PARAMETER | MIN | TYP | MAX | UNIT |
|--|------|------|------|------|
| $V_{OL(P)}$ Quiet output, maximum dynamic V_{OL} | | 0.3 | 0.8 | V |
| $V_{OL(V)}$ Quiet output, minimum dynamic V_{OL} | | -0.2 | -0.8 | V |
| $V_{OH(V)}$ Quiet output, minimum dynamic V_{OH} | | 2.8 | | V |
| $V_{IH(D)}$ High-level dynamic input voltage | 2.31 | | | V |
| $V_{IL(D)}$ Low-level dynamic input voltage | | | 0.99 | V |

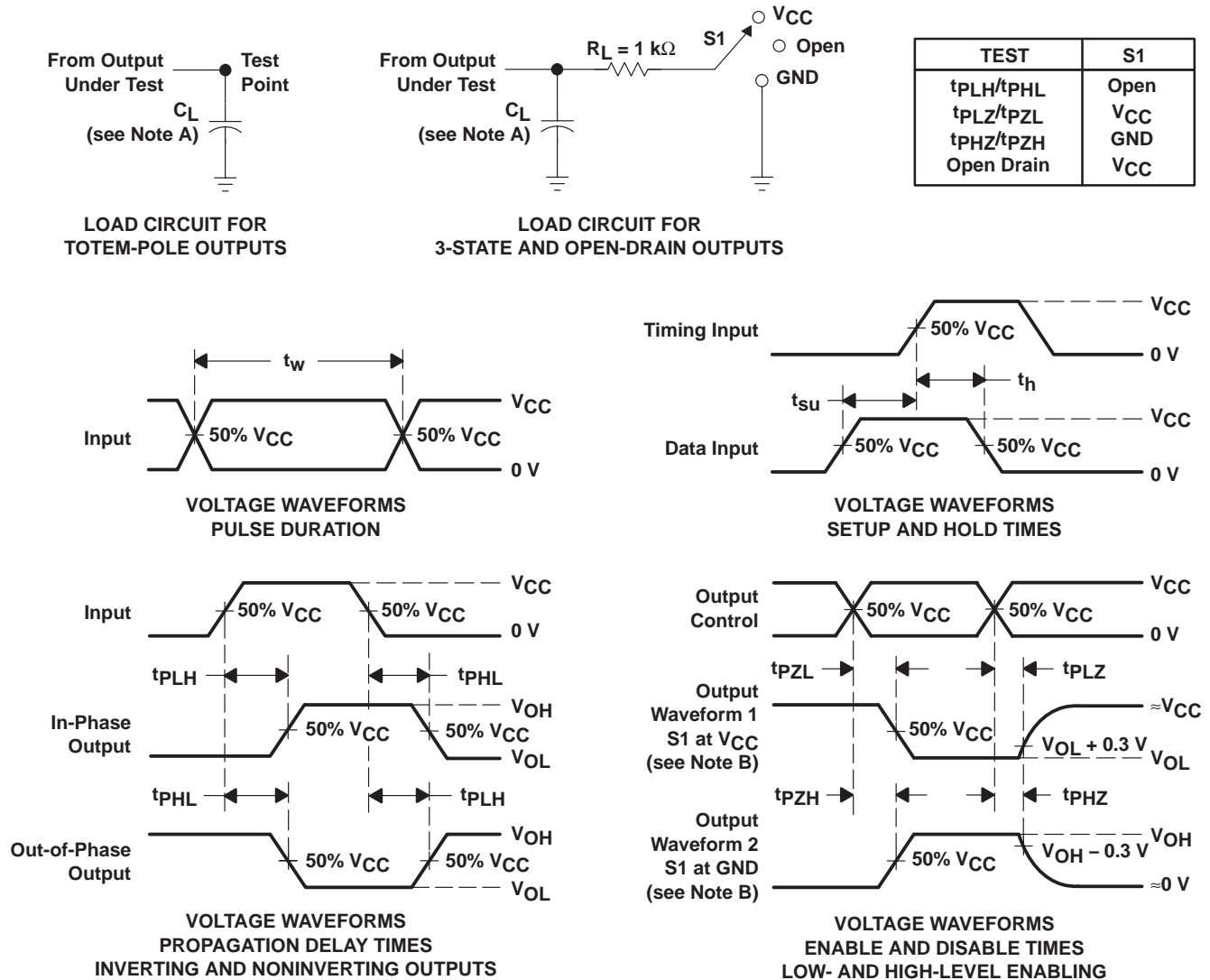
NOTE 5: Characteristics are for surface-mount packages only.

operating characteristics, $T_A = 25^\circ\text{C}$

| PARAMETER | TEST CONDITIONS | V_{CC} | TYP | UNIT |
|--|--|----------|------|------|
| C_{pd} Power dissipation capacitance | $C_L = 50\text{ pF}$, $f = 10\text{ MHz}$ | 3.3 V | 15.2 | pF |
| | | 5 V | 17.3 | |



PARAMETER MEASUREMENT INFORMATION



- NOTES:
- A. C_L includes probe and jig capacitance.
 - B. Waveform 1 is for an output with internal conditions such that the output is low, except when disabled by the output control. Waveform 2 is for an output with internal conditions such that the output is high, except when disabled by the output control.
 - C. All input pulses are supplied by generators having the following characteristics: $PRR \leq 1$ MHz, $Z_O = 50 \Omega$, $t_r \leq 3$ ns, $t_f \leq 3$ ns.
 - D. The outputs are measured one at a time, with one input transition per measurement.
 - E. t_{PLZ} and t_{PHZ} are the same as t_{dis} .
 - F. t_{PZL} and t_{PZH} are the same as t_{en} .
 - G. t_{PHL} and t_{PLH} are the same as t_{pd} .
 - H. All parameters and waveforms are not applicable to all devices.

Figure 1. Load Circuit and Voltage Waveforms

PACKAGING INFORMATION

| Orderable Device | Status (1) | Package Type | Package Drawing | Pins | Package Qty | Eco Plan (2) | Lead/Ball Finish (6) | MSL Peak Temp (3) | Op Temp (°C) | Device Marking (4/5) | Samples |
|------------------|---------------|--------------|-----------------|------|-------------|-------------------------|-------------------------|----------------------|--------------|-------------------------|-------------------------|
| SN74LV393ATPWREP | ACTIVE | TSSOP | PW | 14 | 2000 | Green (RoHS & no Sb/Br) | NIPDAU | Level-1-260C-UNLIM | -40 to 105 | LV393EP | Samples |
| V62/04695-01XE | ACTIVE | TSSOP | PW | 14 | 2000 | Green (RoHS & no Sb/Br) | NIPDAU | Level-1-260C-UNLIM | -40 to 105 | LV393EP | Samples |

(1) The marketing status values are defined as follows:

ACTIVE: Product device recommended for new designs.

LIFEBUY: TI has announced that the device will be discontinued, and a lifetime-buy period is in effect.

NRND: Not recommended for new designs. Device is in production to support existing customers, but TI does not recommend using this part in a new design.

PREVIEW: Device has been announced but is not in production. Samples may or may not be available.

OBSOLETE: TI has discontinued the production of the device.

(2) **RoHS:** TI defines "RoHS" to mean semiconductor products that are compliant with the current EU RoHS requirements for all 10 RoHS substances, including the requirement that RoHS substance do not exceed 0.1% by weight in homogeneous materials. Where designed to be soldered at high temperatures, "RoHS" products are suitable for use in specified lead-free processes. TI may reference these types of products as "Pb-Free".

RoHS Exempt: TI defines "RoHS Exempt" to mean products that contain lead but are compliant with EU RoHS pursuant to a specific EU RoHS exemption.

Green: TI defines "Green" to mean the content of Chlorine (Cl) and Bromine (Br) based flame retardants meet JS709B low halogen requirements of <=1000ppm threshold. Antimony trioxide based flame retardants must also meet the <=1000ppm threshold requirement.

(3) MSL, Peak Temp. - The Moisture Sensitivity Level rating according to the JEDEC industry standard classifications, and peak solder temperature.

(4) There may be additional marking, which relates to the logo, the lot trace code information, or the environmental category on the device.

(5) Multiple Device Markings will be inside parentheses. Only one Device Marking contained in parentheses and separated by a "-" will appear on a device. If a line is indented then it is a continuation of the previous line and the two combined represent the entire Device Marking for that device.

(6) Lead/Ball Finish - Orderable Devices may have multiple material finish options. Finish options are separated by a vertical ruled line. Lead/Ball Finish values may wrap to two lines if the finish value exceeds the maximum column width.

Important Information and Disclaimer:The information provided on this page represents TI's knowledge and belief as of the date that it is provided. TI bases its knowledge and belief on information provided by third parties, and makes no representation or warranty as to the accuracy of such information. Efforts are underway to better integrate information from third parties. TI has taken and continues to take reasonable steps to provide representative and accurate information but may not have conducted destructive testing or chemical analysis on incoming materials and chemicals. TI and TI suppliers consider certain information to be proprietary, and thus CAS numbers and other limited information may not be available for release.

In no event shall TI's liability arising out of such information exceed the total purchase price of the TI part(s) at issue in this document sold by TI to Customer on an annual basis.

OTHER QUALIFIED VERSIONS OF SN74LV393A-EP :

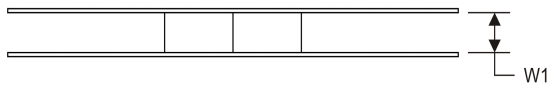
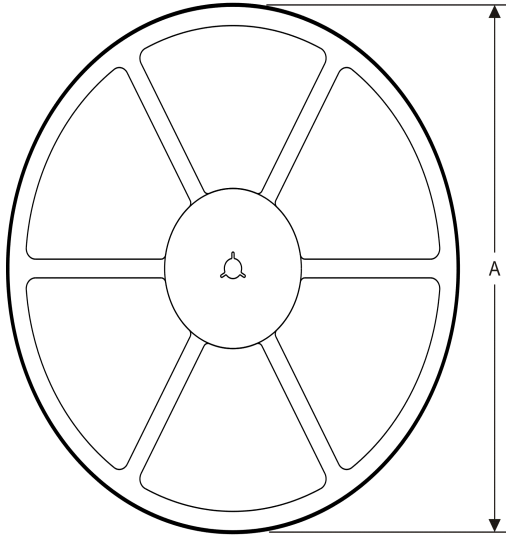
- Catalog: [SN74LV393A](#)
- Automotive: [SN74LV393A-Q1](#)

NOTE: Qualified Version Definitions:

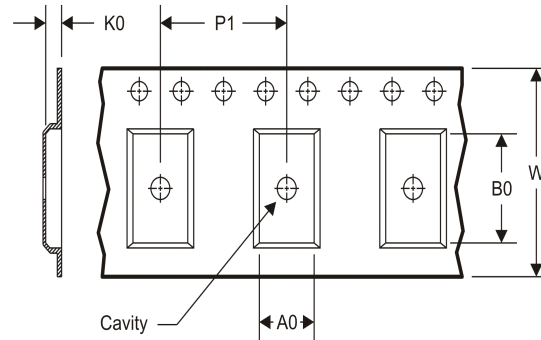
- Catalog - TI's standard catalog product
- Automotive - Q100 devices qualified for high-reliability automotive applications targeting zero defects

TAPE AND REEL INFORMATION

REEL DIMENSIONS



TAPE DIMENSIONS



| | |
|----|---|
| A0 | Dimension designed to accommodate the component width |
| B0 | Dimension designed to accommodate the component length |
| K0 | Dimension designed to accommodate the component thickness |
| W | Overall width of the carrier tape |
| P1 | Pitch between successive cavity centers |

TAPE AND REEL INFORMATION

*All dimensions are nominal

| Device | Package Type | Package Drawing | Pins | SPQ | Reel Diameter (mm) | Reel Width W1 (mm) | A0 (mm) | B0 (mm) | K0 (mm) | P1 (mm) | W (mm) | Pin1 Quadrant |
|------------------|--------------|-----------------|------|------|--------------------|--------------------|---------|---------|---------|---------|--------|---------------|
| SN74LV393ATPWREP | TSSOP | PW | 14 | 2000 | 330.0 | 12.4 | 6.9 | 5.6 | 1.6 | 8.0 | 12.0 | Q1 |

TAPE AND REEL BOX DIMENSIONS

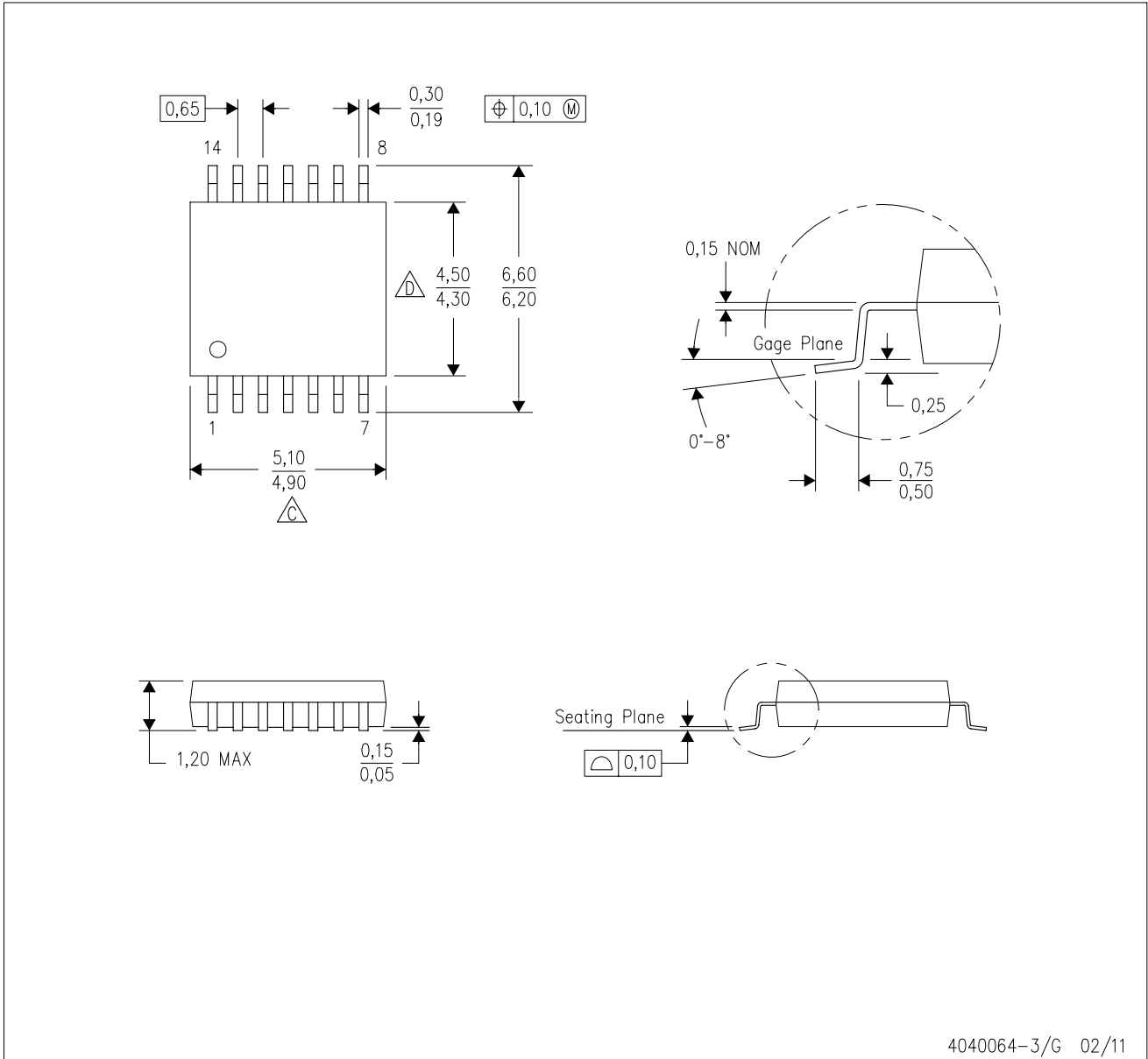


*All dimensions are nominal

| Device | Package Type | Package Drawing | Pins | SPQ | Length (mm) | Width (mm) | Height (mm) |
|------------------|--------------|-----------------|------|------|-------------|------------|-------------|
| SN74LV393ATPWREP | TSSOP | PW | 14 | 2000 | 367.0 | 367.0 | 35.0 |

PW (R-PDSO-G14)

PLASTIC SMALL OUTLINE



4040064-3/G 02/11

- NOTES:
- A. All linear dimensions are in millimeters. Dimensioning and tolerancing per ASME Y14.5M-1994.
 - B. This drawing is subject to change without notice.
 -  Body length does not include mold flash, protrusions, or gate burrs. Mold flash, protrusions, or gate burrs shall not exceed 0,15 each side.
 -  Body width does not include interlead flash. Interlead flash shall not exceed 0,25 each side.
 - E. Falls within JEDEC MO-153

PW (R-PDSO-G14)

PLASTIC SMALL OUTLINE



- NOTES:
- All linear dimensions are in millimeters.
 - This drawing is subject to change without notice.
 - Publication IPC-7351 is recommended for alternate designs.
 - Laser cutting apertures with trapezoidal walls and also rounding corners will offer better paste release. Customers should contact their board assembly site for stencil design recommendations. Refer to IPC-7525 for other stencil recommendations.
 - Customers should contact their board fabrication site for solder mask tolerances between and around signal pads.

IMPORTANT NOTICE AND DISCLAIMER

TI PROVIDES TECHNICAL AND RELIABILITY DATA (INCLUDING DATASHEETS), DESIGN RESOURCES (INCLUDING REFERENCE DESIGNS), APPLICATION OR OTHER DESIGN ADVICE, WEB TOOLS, SAFETY INFORMATION, AND OTHER RESOURCES "AS IS" AND WITH ALL FAULTS, AND DISCLAIMS ALL WARRANTIES, EXPRESS AND IMPLIED, INCLUDING WITHOUT LIMITATION ANY IMPLIED WARRANTIES OF MERCHANTABILITY, FITNESS FOR A PARTICULAR PURPOSE OR NON-INFRINGEMENT OF THIRD PARTY INTELLECTUAL PROPERTY RIGHTS.

These resources are intended for skilled developers designing with TI products. You are solely responsible for (1) selecting the appropriate TI products for your application, (2) designing, validating and testing your application, and (3) ensuring your application meets applicable standards, and any other safety, security, or other requirements. These resources are subject to change without notice. TI grants you permission to use these resources only for development of an application that uses the TI products described in the resource. Other reproduction and display of these resources is prohibited. No license is granted to any other TI intellectual property right or to any third party intellectual property right. TI disclaims responsibility for, and you will fully indemnify TI and its representatives against, any claims, damages, costs, losses, and liabilities arising out of your use of these resources.

TI's products are provided subject to TI's Terms of Sale (www.ti.com/legal/termsofsale.html) or other applicable terms available either on ti.com or provided in conjunction with such TI products. TI's provision of these resources does not expand or otherwise alter TI's applicable warranties or warranty disclaimers for TI products.

Mailing Address: Texas Instruments, Post Office Box 655303, Dallas, Texas 75265
Copyright © 2020, Texas Instruments Incorporated