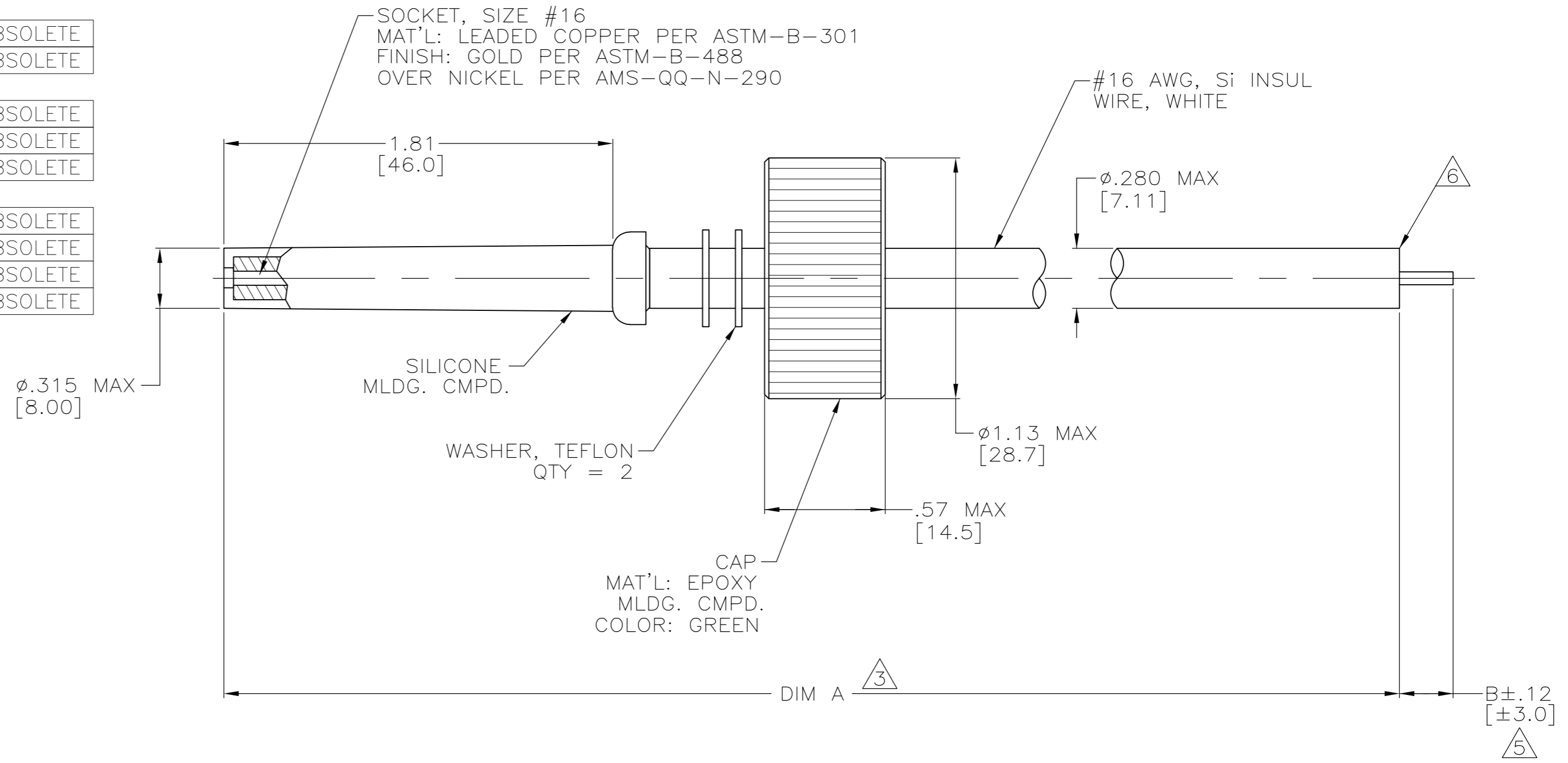


THIS DRAWING IS UNPUBLISHED.		RELEASED FOR PUBLICATION		- N/A -	
© COPYRIGHT N/A By -		ALL RIGHTS RESERVED.			
PART NO.	DIM A $\triangle 3$	DIM B	REMARKS		
837975-1	12.00 [304.8]	-			
837975-2	36.00 [914.4]	-			
837975-3	18.00 [457.2]	-			
837975-4	8.00 [203.2]	.25 [6.3]	$\triangle 5$	OBSOLETE	
837975-5	120.00 [3048.0]	.25 [6.3]	$\triangle 5$	OBSOLETE	
837975-6	6.00 [152.4]	.25 [6.3]	$\triangle 5$		
837975-7	30.00 [762.0]	.38 [9.7]	$\triangle 5$		
837975-8	12.00 [304.8]	.38 [9.7]	$\triangle 5$		
837975-9	48.00 [1219.2]	.38 [9.7]	$\triangle 5$		
1-837975-0	15.75 [400.0]	-	$\triangle 5$	OBSOLETE	
1-837975-1	10.00 [254.0]	.38 [9.7]	$\triangle 5$	OBSOLETE	
1-837975-2	5.00 [127.0]	.38 [9.7]	$\triangle 5$	OBSOLETE	
1-837975-3	7.00 [177.8]	.38 [9.7]	$\triangle 5$	OBSOLETE	
1-837975-4	9.00 [228.6]	.38 [9.7]	$\triangle 5$		
1-837975-5	16.00 [406.4]	.38 [9.7]	$\triangle 5$		
1-837975-6	24.00 [609.6]	.38 [9.7]	$\triangle 5$		
1-837975-7	60.00 [1524.0]	.38 [9.7]	$\triangle 5$	OBSOLETE	
1-837975-8	72.00 [1828.8]	.38 [9.7]	$\triangle 5$		
1-837975-9	420.00 [10668.0]	.38 [9.7]	$\triangle 5$	OBSOLETE	
2-837975-0	240.00 [6096.0]	.38 [9.7]	$\triangle 5$	OBSOLETE	
2-837975-1	158.00 [4013.2]	.38 [9.7]	$\triangle 5$		
2-837975-2	197.00 [5003.8]	.38 [9.7]	$\triangle 5$	OBSOLETE	
2-837975-3	276.00 [7010.4]	.38 [9.7]	$\triangle 5$	OBSOLETE	
2-837975-4	1182.00 [30022.8]	.38 [9.7]	$\triangle 5$	OBSOLETE	
2-837975-5	480.00 [12192.0]	.38 [9.7]	$\triangle 5$		
2-837975-6	17.00 [431.8]	.38 [9.7]	$\triangle 5$	OBSOLETE	
2-837975-7	360.00 [9144.0]	.38 [9.7]	$\triangle 5$	OBSOLETE	
2-837975-8	78.75 [2000.2]	.38 [9.7]	$\triangle 5$	OBSOLETE	
2-837975-9	40.00 [1016.0]	.38 [9.7]	$\triangle 5$	OBSOLETE	
5-837975-9	48.00 [1219.2]	.38 [9.7]	$\triangle 6$		
6-837975-4	9.00 [228.6]	.38 [9.7]	$\triangle 6$		
6-837975-6	24.00 [609.6]	.38 [9.7]	$\triangle 6$		

LOC	DIST	REVISIONS					
		P	LTR	DESCRIPTION	DATE	DWN	APVD
-	-	S		REV PER ECO-13-006151	16APR13	KG	DE

1. MARKED PER MIL-STD-130.
 2. LEADS WILL MATE WITH AMP LGH-3 RECEPTACLE WITH 1.81 [4.7] BARREL DEPTH.
- $\triangle 3$ TOLERANCE OF LEAD LENGTH:
UP TO 24 INCHES [609.6] = ± 1.2 [± 3.0]
24 INCHES [609.6] & UP = $\pm 1\%$
4. OPERATING VOLTAGE: 40 KVDC AT 0 TO 70,000 FEET, -55°C TO 125°C.
- $\triangle 5$ PIGTAIL IS SOLDER DIPPED.
 $\triangle 6$ INSULATION CUT, BUT NOT REMOVED.



THIS DRAWING IS A CONTROLLED DOCUMENT. DIMENSIONING AND TOLERANCING PER ASME Y14.5M (ISO STANDARDS)		DWN C.C.THOMAS 02-MAY-94	STE TE Connectivity	
DIMENSIONS: INCHES [mm]		CHK D.EABY 04-MAY-94		
TOLERANCES UNLESS OTHERWISE SPECIFIED:		APVD D.EABY 04-MAY-94	NAME LEAD ASSY SGL END LGH-3	
0 PLC ± - 1 PLC ± - 2 PLC ± .02 [0.5] 3 PLC ± - 4 PLC ± - ANGLES ± -		PRODUCT SPEC APPLICATION SPEC	SIZE A2	CAGE CODE 00779
MATERIAL SEE CALLOUTS		FINISH SEE CALLOUTS	DRAWING NO C=837975	RESTRICTED TO -
CUSTOMER DRAWING		WEIGHT -	SCALE 2:1	SHEET 1 OF 1

Mouser Electronics

Authorized Distributor

Click to View Pricing, Inventory, Delivery & Lifecycle Information:

[TE Connectivity:](#)

[2-837975-5](#)