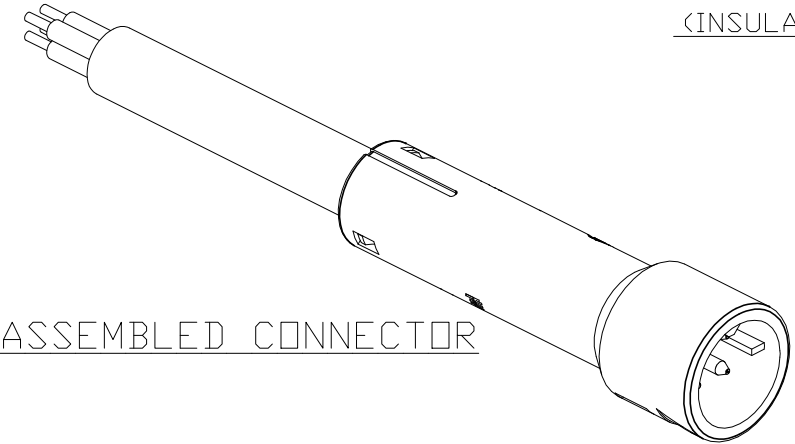


THIS DRAWING IS UNPUBLISHED. RELEASED FOR PUBLICATION
 © COPYRIGHT - TE Connectivity Ltd. ALL RIGHTS RESERVED.

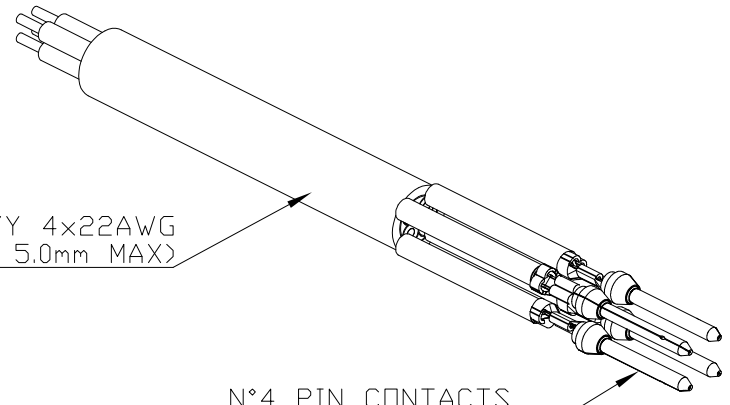
REVISIONS					
P	LTR	DESCRIPTION	DATE	DWN	APVD
	A	FIRST ISSUE: DRAWING FOR U.S.A. VERSIONS	14MAY2010	D.C.	G.T.
	A1	REVISED: CHANGED SALES CONDITIONS	30AUG2010	D.C.	G.T.
	B	RELEASED FOR PRODUCTION	30NOV2010	D.C.	G.T.
	B1	ECR-19-008407	29MAY2019	RS	MZ



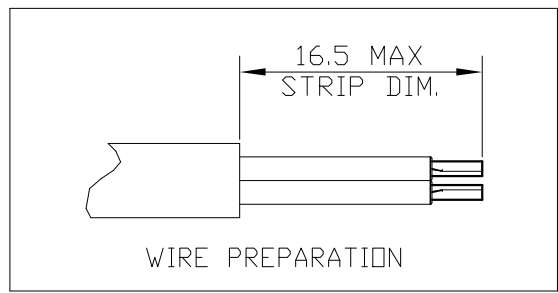
ASSEMBLED CONNECTOR

VOLTAGE: < 30V r.m.s. (42V PEAK)
 MAXIMUM CURRENT: 2A PER WAY (FULL LOADED)

CABLE LIYY 4x22AWG
 (INSULATION DIAMETER 5.0mm MAX)



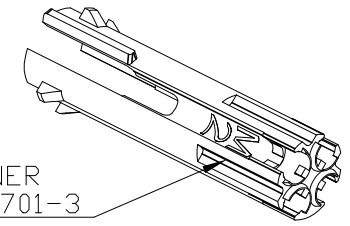
N°4 PIN CONTACTS
 P/N 166053-1



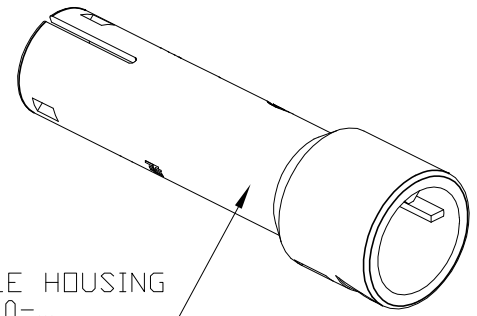
WIRE PREPARATION

MOUNTING OVERVIEW

CONTACTS MUST BE MOUNTED ON THE POSITIONER BEFORE TO INSERT THEM INTO THE HOUSING. MOUNTING SHALL BE ACCORDING TO THE TYCO ELECTRONICS APPLICATION SPEC. 114-20147.



POSITIONER
 P/N 293701-3

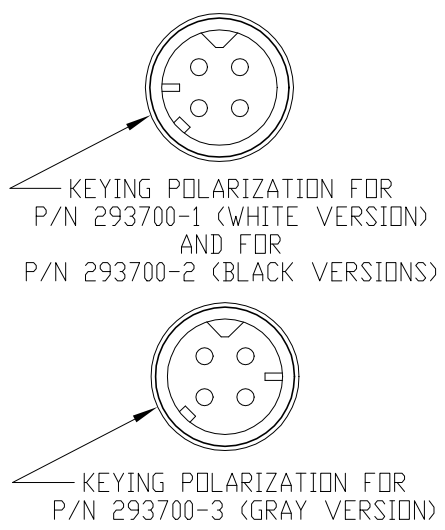
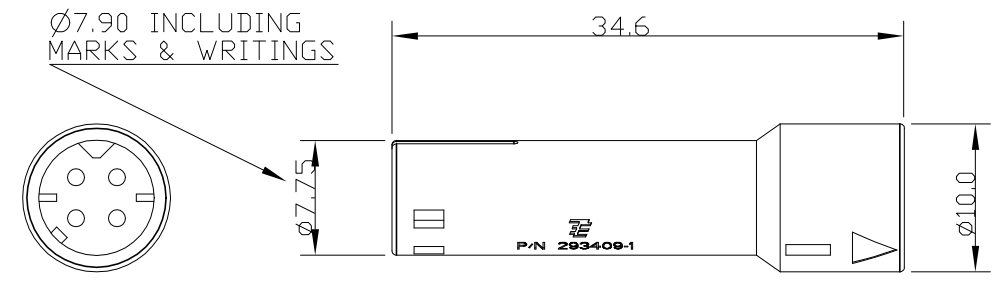


RECEPTACLE HOUSING
 P/N 293700-...

THE PRESENTED PRODUCT / DESIGN WILL BE RELEASED FOR THE MANUFACTURING OF THE NECESSARY PRODUCTION TOOLS HEREBY. FURTHER CHANGES HAS TO BE PAID BY CUSTOMER.

 DATE, SIGN OF THE CUSTOMER

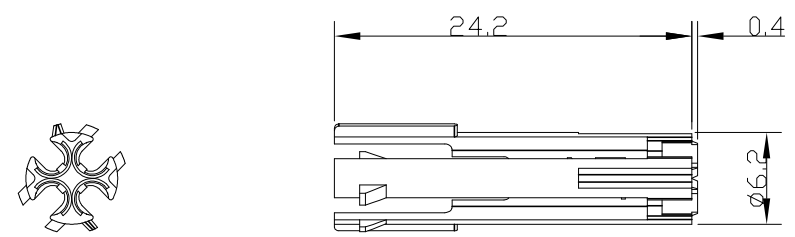
MALE HOUSING (N° 3 VERSIONS):
 - P/N 293700-1 (REV. B) IN WHITE COLOUR
 - P/N 293700-2 (REV. B) IN BLACK COLOUR
 - P/N 293700-3 (REV. B) IN GRAY COLOUR



PACKAGING: N° 1500 PCS INTO CARTON BOX, ACCORDING TO PACKAGING SPEC. 107-20289.

OBSOLETE	293700-3	293701-3	293703-3 (GRAY VERSION)	B
	293700-2	293701-3	293703-2 (BLACK VERSION)	B
	293700-1	293701-3	293703-1 (WHITE VERSION)	B
	MALE HOUSING P/N	POSITIONER P/N	PART NUMBER (KIT)	REV.

POSITIONER (N° 1 VERSION):
 - P/N 293701-3 (REV. B) IN GREY COLOUR



THIS DRAWING IS A CONTROLLED DOCUMENT.

DIMENSIONS: mm	TOLERANCES UNLESS OTHERWISE SPECIFIED:	DWN D. CHIARELLI 29MAY2019	TE Connectivity 4 POS. LOW VOLTAGE, FREE HANGING, MALE CONNECTOR FOR U.S.A. MARKET
MATERIAL: PLASTIC PARTS: PBT 15%GF	FINISH: -	CHK D. CHIARELLI 08APR2010	
		APVD G. TURCO 08APR2010	
		PRODUCT SPEC: 108-20309	
		APPLICATION SPEC: 114-20147	NAME: 4 POS. LOW VOLTAGE, FREE HANGING, MALE CONNECTOR FOR U.S.A. MARKET
		WEIGHT: -	SIZE: A3 CAGE CODE: 00779 DRAWING NO: C=293703 RESTRICTED TO: -
		CUSTOMER DRAWING	SCALE: 2:1 SHEET: 1 OF 1 REV: B1