

ISL9205, ISL9205A, ISL9205B, ISL9205C, ISL9205D

Li-ion Battery Charger

FN9252

Rev 3.00

September 30, 2016

The [ISL9205](#), [ISL9205A](#), [ISL9205B](#), [ISL9205C](#), and [ISL9205D](#) are integrated single-cell Li-ion or Li-polymer chargers capable of operating at an input voltage as low as 2.5V. The low operating voltage allows the charger to work with a variety of AC adapters.

The ISL9205 family operates as a linear charger when the AC adapter is a voltage source. The battery is charged in a standard Li-ion charge profile, i.e., a Constant Current phase followed by a Constant Voltage phase (CC/CV). The charge current during the Constant Current phase is determined by the external resistor connected to the I_{REF} pin. When the adapter output is a current-limited voltage source and the current limit is smaller than the programmed constant current of the IC, the ISL9205 operates as a pulse charger where the charge current is determined by the current limit of the AC adapter during the Constant Current phase. The ISL9205 operates in a linear mode during the constant voltage phase in both adapter cases.

The ISL9205 family incorporates Thermaguard, which protects the IC against over-temperature. If the die temperature rises above a typical value of +100°C, the thermal foldback function reduces the charge current to prevent further temperature rise. The ISL9205 includes an external temperature monitoring function (not available in some package options). A Negative Temperature Coefficient (NTC) thermistor is connected between the TEMP pin and GND to monitor the battery or ambient temperature. The ISL9205 also includes a timer to set the time reference for various charge time limits. The timer is programmable with an external capacitor. Two logic inputs and two open-drain logic outputs are available for controlling the charger and indicating the charger status. The EN pin enables the charger. The TOEN pin (available in ISL9205) enables the timeout function so that the charge is terminated when the preset time limits have been reached. The FAULT pin is an open-drain output which turns on when a fault condition is encountered. The STATUS pin is also an open-drain output which turns on when the charger is delivering current.

Features

- Complete charger for single-cell Li-ion/polymer batteries
- Integrated pass element and current sensor
- No external blocking diode required
- Low component count and cost
- 25mV voltage accuracy over-temperature and input voltage range
- 15mV voltage accuracy at room temperature
- Programmable charge current
- **Programmable end-of-charge current (ISL9205)**
- **Charge current thermal foldback for thermal protection (Thermaguard)**
- Trickle charge for fully discharged batteries
- Power presence and charge indications
- NTC interface (not available in some package options)
- Less than 3µA leakage current off the battery when no input power attached or charger disabled
- Ambient temperature range: -40°C to +85°C
- DFN, QFN packages
- Pb-Free (RoHS compliant)

Applications

- Mobile phones
- Bluetooth devices
- PDAs
- MP3 players
- Stand-alone cradle or travel chargers
- Other handheld devices

Related Literature

- For a full list of related documents, visit our website - [ISL9205](#), [ISL9205A](#), [ISL9205B](#), [ISL9205C](#), [ISL9205D](#) product pages

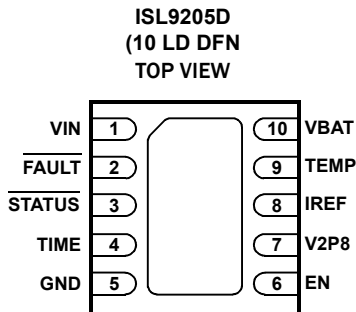
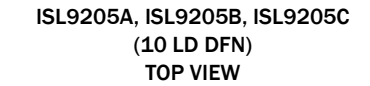
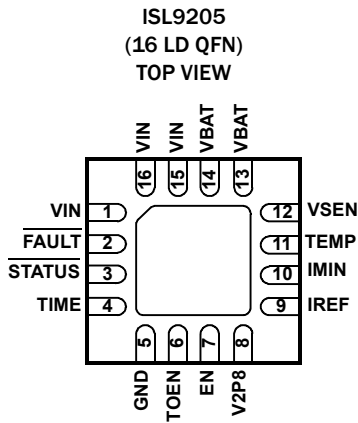
Ordering Information

PART NUMBER (Notes 1, 2, 3)	PART MARKING	TEMP. RANGE (°C)	VBAT (V)	VSEN	TEMP	TIMEOUT	PACKAGE (RoHS COMPLIANT)	PKG DWG. #
ISL9205IRZ	DLBA	-40 to +85	4.2	Yes	Yes	Yes	16 Ld 3x3 QFN	L16.3x3B
ISL9205AIRZ	DLCA	-40 to +85	4.2	Yes	No	No	10 Ld 3x3 DFN	L10.3x3
ISL9205BIRZ	DLDA	-40 to +85	4.2	Yes	No	Yes	10 Ld 3x3 DFN	L10.3x3
ISL9205CIRZ	DLEA	-40 to +85	4.256	Yes	No	Yes	10 Ld 3x3 DFN	L10.3x3
ISL9205DIRZ	DLFA	-40 to +85	4.2	No	Yes	Yes	10 Ld 3x3 DFN	L10.3x3

NOTES:

1. Add "-T" suffix for "6k" unit tape and reel option. Refer to [TB347](#) for details on reel specifications.
2. Intersil Pb-free plus anneal products employ special Pb-free material sets; molding compounds/die attach materials and 100% matte tin plate termination finish, which are RoHS compliant and compatible with both SnPb and Pb-free soldering operations. Intersil Pb-free products are MSL classified at Pb-free peak reflow temperatures that meet or exceed the Pb-free requirements of IPC/JEDEC J STD-020.
3. For Moisture Sensitivity Level (MSL), see product information page for [ISL9205](#), [ISL9205A](#), [ISL9205B](#), [ISL9205C](#), [ISL9205D](#). For more information on MSL, see tech brief [TB363](#).

Pin Configurations



ISL9205 Pin Descriptions

PIN NUMBER	PIN NAME	DESCRIPTION
1, 15, 16	VIN	Input power source. Connect to a wall adapter.
2	$\overline{\text{FAULT}}$	An open-drain output indicating fault status. This pin is pulled to LOW under any fault condition. When a fault condition occurs, the time counter will be reset. When the charger is disabled, the $\overline{\text{FAULT}}$ pin outputs high impedance.
3	$\overline{\text{STATUS}}$	An open-drain output indicating charging and inhibit states. This pin is pulled LOW when the charger is charging a battery. It will be turned into high impedance when the charge current drops to I _{MIN} . This high impedance state will be latched until a recharge cycle or a new charge cycle starts. When the charger is disabled, the $\overline{\text{STATUS}}$ pin outputs high impedance.
4	TIME	Determines the oscillation period by connecting a timing capacitor between this pin and GND. The oscillator also provides a time reference for the charger.
5	GND	The connection to system ground.
6	TOEN	TIMEOUT enable input pin. Pulling this pin to LOW disables the TIMEOUT charge-time limit for the fast charge modes. Leaving this pin HIGH or floating enables the TIMEOUT limit. There is an internal 400kΩ pull-up resistor at this pin.
7	EN	Enable logic input. Connect the EN pin to LOW to disable the charger or leave it floating to enable the charger. There is an internal 400kΩ pull-up resistor at this pin.
8	V2P8	A 2.8V reference voltage output. This pin provides a 2.8V voltage source when the input voltage is above the POR threshold and outputs zero otherwise. The V2P8 pin can be used as an indication for adapter presence.
9	IREF	Charge current programming and monitoring pin. Connect a resistor between this pin and GND to set the charge current during the Constant Current phase, as given by Equation 1 : $I_{\text{REF}} = \frac{80}{R_{\text{IREF}}} \quad (\text{A}) \quad (\text{EQ. 1})$ Where R _{IREF} is in kΩ.
10	IMIN	End-of-charge (EOC) current programming pin. Connect a resistor between this pin and GND to set the EOC current, as given by Equation 2 : $I_{\text{MIN}} = \frac{8000}{R_{\text{IMIN}}} \quad (\text{mA}) \quad (\text{EQ. 2})$ Where R _{IMIN} is in kΩ.
11	TEMP	Input for an external NTC thermistor. The TEMP pin is also used for battery removal detection.
12	VSEN	The remote voltage sense pin. Connect this pin as close to the battery positive terminal as possible. If the VSEN pin is left floating, its voltage drops to zero volt and the charger operates in trickle mode.
13, 14	VBAT	The connection to the battery. Typically a ceramic capacitor of minimum 1μF is needed for stability when there is no battery attached. When a battery is attached, only a 0.1μF ceramic capacitor is required.

ISL9205A/B/C Pin Descriptions

PIN NUMBER	PIN NAME	DESCRIPTION
1	VIN	Input power source. Connect to a wall adapter.
2	$\overline{\text{FAULT}}$	An open-drain output indicating fault status. This pin is pulled to LOW under any fault condition. When a fault condition occurs, the time counter will be reset. When the charger is disabled, the $\overline{\text{FAULT}}$ pin outputs high impedance.
3	$\overline{\text{STATUS}}$	An open-drain output indicating charging and inhibit states. This pin is pulled LOW when the charger is charging a battery. It will be turned into high impedance when the charge current drops to I _{MIN} . This high impedance state will be latched until a recharge cycle or a new charge cycle starts. When the charger is disabled, the $\overline{\text{STATUS}}$ pin outputs high impedance.
4	TIME	Determines the oscillation period by connecting a timing capacitor between this pin and GND. The oscillator also provides a time reference for the charger.
5	GND	The connection to system ground.
6	EN	Enable logic input. Connect the EN pin to LOW to disable the charger or leave it floating to enable the charger. There is an internal 400k Ω pull-up resistor at this pin.
7	V2P8	A 2.8V reference voltage output. This pin provides a 2.8V voltage source when the input voltage is above the POR threshold and outputs zero otherwise. The V2P8 pin can be used as an indication for adapter presence.
8	IREF	The charge current programming and monitoring pin. Connect a resistor between this pin and GND to set the charge current during the Constant Current phase, as given by Equation 3 : $I_{\text{REF}} = \frac{80}{R_{\text{IREF}}} \quad (\text{A}) \quad (\text{EQ. 3})$ Where R _{IREF} is in k Ω .
9	VSEN	The remote voltage sense pin. Connect this pin as close to the battery positive terminal as possible. If the VSEN pin is left floating, its voltage drops to zero volt and the charger operates in trickle mode.
10	VBAT	The connection to the battery. Typically a ceramic capacitor of minimum 1 μF is needed for stability when there is no battery attached. When a battery is attached, only a 0.1 μF ceramic capacitor is required.

ISL9205D Pin Descriptions

PIN NUMBER	PIN NAME	DESCRIPTION
1	VIN	Input power source. Connect to a wall adapter.
2	$\overline{\text{FAULT}}$	An open-drain output indicating fault status. This pin is pulled to LOW under any fault condition. When a fault condition occurs, the time counter will be reset. When the charger is disabled, the $\overline{\text{FAULT}}$ pin outputs high impedance.
3	$\overline{\text{STATUS}}$	An open-drain output indicating charging and inhibit states. This pin is pulled LOW when the charger is charging a battery. It will be turned into high impedance when the charge current drops to I _{MIN} . This high impedance state will be latched until a recharge cycle or a new charge cycle starts. When the charger is disabled, the $\overline{\text{STATUS}}$ pin outputs high impedance.
4	TIME	Determines the oscillation period by connecting a timing capacitor between this pin and GND. The oscillator also provides a time reference for the charger.
5	GND	The connection to system ground.
6	EN	Enable logic input. Connect the EN pin to LOW to disable the charger or leave it floating to enable the charger. There is an internal 400k Ω pull-up resistor at this pin.
7	V2P8	A 2.8V reference voltage output. This pin provides a 2.8V voltage source when the input voltage is above the POR threshold and outputs zero otherwise. The V2P8 pin can be used as an indication for adapter presence.
8	IREF	The charge current programming and monitoring pin. Connect a resistor between this pin and GND to set the charge current during the Constant Current phase, as given by Equation 4 : $I_{\text{REF}} = \frac{80}{R_{\text{IREF}}} \quad (\text{A}) \quad (\text{EQ. 4})$ Where R _{IREF} is in k Ω .
9	TEMP	Input for an external NTC thermistor. The TEMP pin is also used for battery removal detection.
10	VBAT	The connection to the battery. Typically a ceramic capacitor of minimum 1 μF is needed for stability when there is no battery attached. When a battery is attached, only a 0.1 μF ceramic capacitor is required.

Typical Applications

For 3x3 QFN Package Option

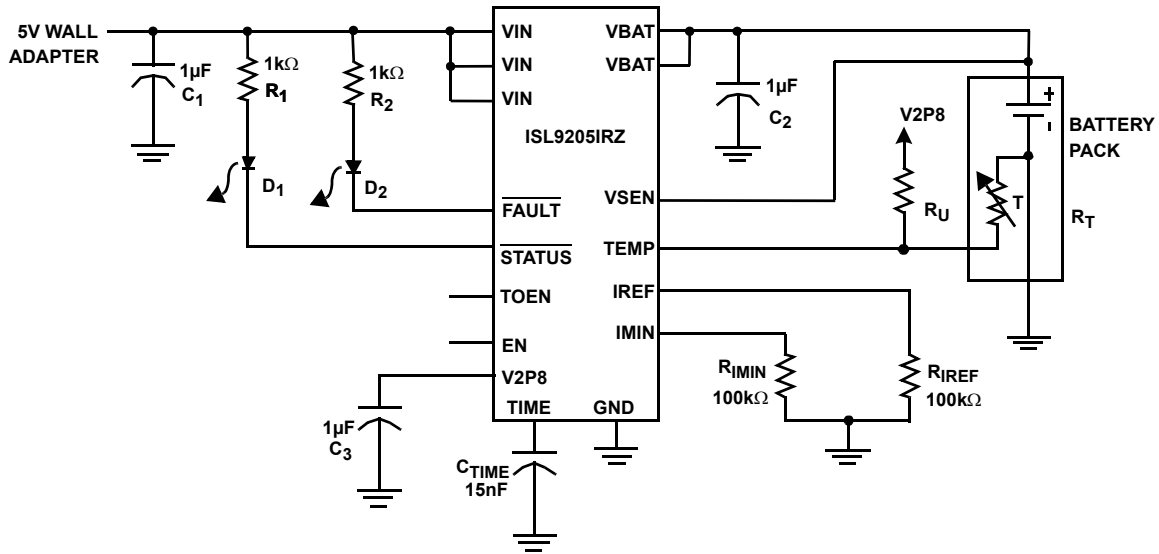


FIGURE 1. TYPICAL APPLICATION: 3x3 QFN PACKAGE OPTION

For 3x3 DFN Package Option

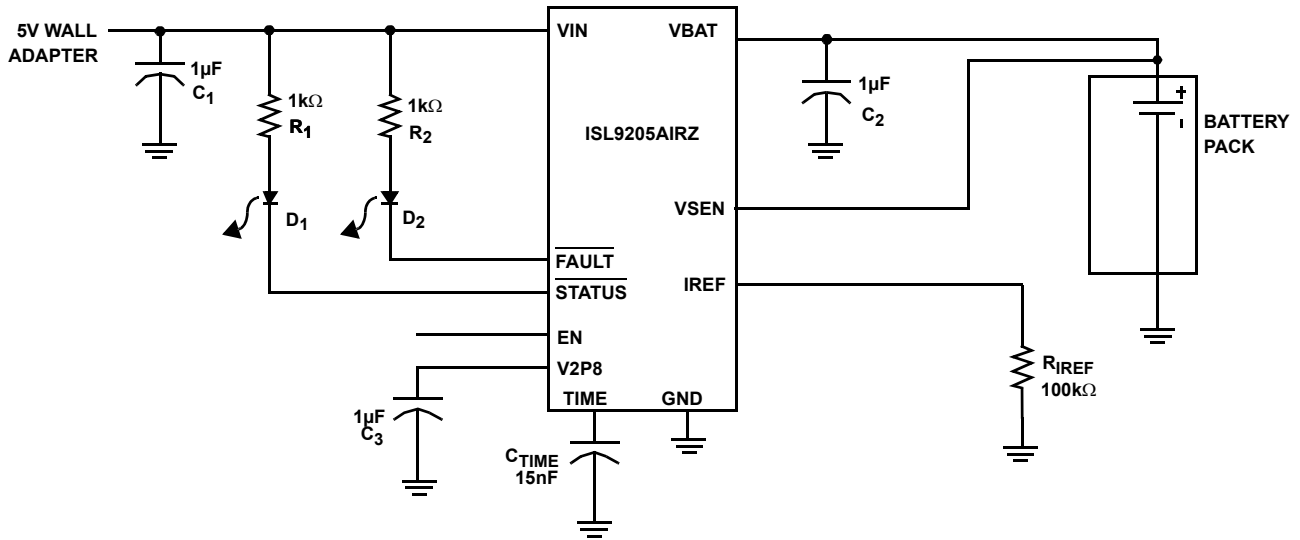


FIGURE 2. TYPICAL APPLICATION: 3x3 DFN PACKAGE OPTION

Absolute Maximum Ratings

Voltage Ratings for All Pins	-0.3V to 7V
Charge Current	1.0A
ESD Rating	
Human Body Model	2kV
Machine Model	200V

Thermal Information

Thermal Resistance	θ_{JA} (°C/W)	θ_{JC} (°C/W)
3x3 DFN Package (Note 4)	48	6
3x3 QFN Package (Note 5)	54	6
Maximum Junction Temperature (Plastic Package)	+150°C	
Maximum Storage Temperature Range	-65°C to +150°C	
Pb-Free Reflow Profile	see TB493	

Recommended Operating Conditions

Ambient Temperature Range	-40°C to +85°C
Operating Supply Voltage (VIN Pin)	4.25V to 6.5V
Programmed Charge Current	50mA to 900mA

CAUTION: Stresses above those listed in "Absolute Maximum Ratings" may cause permanent damage to the device. This is a stress only rating and operation of the device at these or any other conditions above those indicated in the operational sections of this specification is not implied.

The 150°C maximum junction temperature is for information purposes only. In reality, the current foldback feature will prevent the junction from rising above a worst case temperature of 125°C.

NOTES:

- θ_{JA} is measured in free air with the component mounted on a high effective thermal conductivity test board with "direct attach" features. See Tech Brief [TB379](#).
- For θ_{JC} , the "case temp" location is the center of the exposed metal pad on the package underside.

Electrical Specifications

Typical values are tested at $V_{IN} = 5V$ and the ambient temperature at +25°C, unless otherwise noted.

PARAMETER	SYMBOL	TEST CONDITIONS	MIN	TYP	MAX	UNITS
POWER-ON RESET						
Rising POR Threshold	V_{POR}	$V_{BAT} = 3.0V$, use V2P8 pin to indicate the comparator output.	3.2	3.6	3.9	V
Falling POR Threshold	V_{POR}		2.25	2.5	2.7	V
VIN-BAT OFFSET VOLTAGE						
Rising Edge	V_{OS}	$V_{BAT} = 4.2V$, $I_{BAT} = 20mA$, use STATUS pin to indicate the comparator output (Note 6)	45	80	100	mV
STANDBY CURRENT						
BAT Pin Sink Current	$I_{STANDBY}$	Charger disabled or the input is floating	-	-	3.3	μA
VIN Pin Supply Current	I_{VIN}	Charger disabled	-	150	250	μA
VIN Pin Supply Current	I_{VIN}	Charger enabled	-	1.0	-	mA
VOLTAGE REGULATION						
Output Voltage (Except ISL9205C)	V_{CH}	Tested at 50mA load, 5V input, and +25°C	4.185	4.20	4.215	V
	V_{CH}	-40°C < T_A < +85°C, 4.3V < V_{IN} < 6.5V	4.175	4.20	4.225	V
Output Voltage (ISL9205C)	V_{CH}	Tested at 50mA load, 5V input, and +25°C	4.241	4.256	4.271	V
	V_{CH}	-40°C < T_A < +85°C, 4.3V < V_{IN} < 6.5V	4.231	4.256	4.281	V
PMOS ON-Resistance	$r_{DS(ON)}$	$V_{BAT} = 4.0V$, charge current = 0.35A	-	500	-	$\mu\Omega$
CHARGE CURRENT (Note 7)						
Constant Charge Current	I_{CC}	$R_{REF} = 100k\Omega$, $V_{BAT} = 3.0V$ to 4.0V	760	800	840	mA
Trickle Charge Current	I_{TRK}	$R_{REF} = 100k\Omega$, $V_{BAT} = 0V$ to 2.5V	64	80	96	mA
End-of-Charge Current	I_{MIN}	$R_{IMIN} = 100k\Omega$ (ISL9205)	70	80	90	mA
End-of-Charge Current	I_{MIN}	$R_{REF} = 100k\Omega$ (ISL9205A, ISL9205B, ISL9205C and ISL9205D)	70	80	90	mA
V2P8 PIN OUTPUT						
V2P8 Pin Output Voltage	V_{V2P8}	Load current less than 1mA	2.8	2.9	3.0	V

Electrical Specifications Typical values are tested at $V_{IN} = 5V$ and the ambient temperature at $+25^{\circ}C$, unless otherwise noted.

PARAMETER	SYMBOL	TEST CONDITIONS	MIN	TYP	MAX	UNITS
CHARGE THRESHOLDS						
Preconditioning Charge Threshold Voltage	V_{MIN}		2.7	2.8	2.9	V
Preconditioning Voltage Hysteresis	V_{MINHYS}		50	100	150	mV
Recharge Threshold	V_{RCH}	Referenced to the charger output voltage V_{CH}	-225	-150	-70	mV
Recharge Threshold Hysteresis	V_{RCHHYS}		-	50	-	mV
INTERNAL TEMPERATURE MONITORING						
Charge Current Foldback Threshold	T_{FOLD}		-	110	-	$^{\circ}C$
AMBIENT TEMPERATURE MONITORING (ISL9205 and ISL9205D)						
High Voltage Threshold		$V_{2P8} = 3.0V$	1.98	2.0	2.02	V
High Voltage Threshold Hysteresis		$V_{2P8} = 3.0V$	-	1.9	-	V
Low Voltage Threshold		$V_{2P8} = 3.0V$	0.99	1	1.01	V
Low Voltage Threshold Hysteresis		$V_{2P8} = 3.0V$	-	1.1	-	V
OSCILLATOR						
Oscillation Period	t_{OSC}	$C_{TIME} = 15nF$	2.7	3.0	3.3	ms
LOGIC INPUT AND OUTPUTS						
EN/TOEN Pin Logic Input High			1.3	-	-	V
EN/TOEN Pin Logic Input Low			-	-	0.5	V
EN/TOEN Pin Internal Pull-Up Resistance			200	400	600	$k\Omega$
STATUS/FAULT Output Voltage When On		10mA current	-	-	0.8	V
STATUS/FAULT Leakage Current		$V_{STATUS} = 6.5V$	-	-	1	μA

NOTES:

- The 4.2V V_{BAT} is selected so that the \overline{STATUS} output can be used as the indication for the offset comparator output indication. If the V_{BAT} is lower than the POR threshold, no output pin can be used for indication.
- The charge current can be affected by the thermal foldback function if the IC under the test setup cannot dissipate the heat.

Typical Operating Performance

The test conditions for the Typical Operating Performance are: $V_{IN} = 5V$, $T_A = +25^\circ C$, $R_{IREF} = R_{IMIN} = 100k\Omega$, $V_{BAT} = 3.7V$, unless otherwise noted.

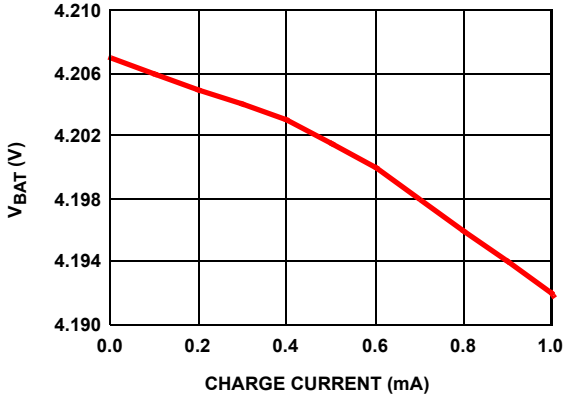


FIGURE 3. CHARGER OUTPUT VOLTAGE vs CHARGE CURRENT

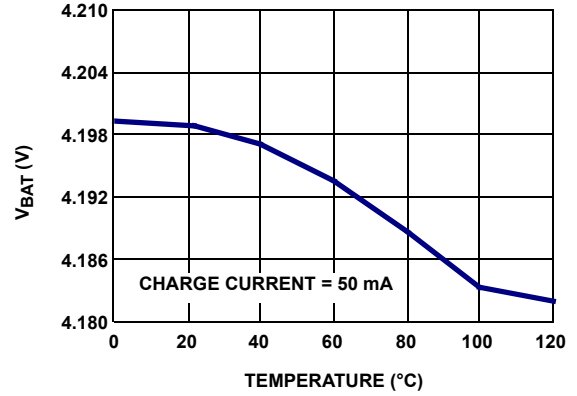


FIGURE 4. CHARGER OUTPUT VOLTAGE vs TEMPERATURE

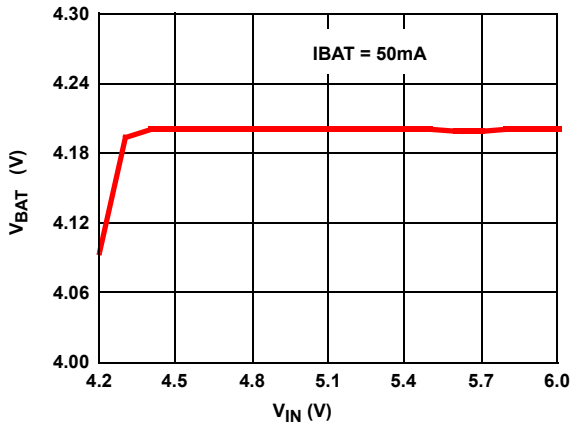


FIGURE 5. CHARGER OUTPUT VOLTAGE vs INPUT VOLTAGE
CHARGE CURRENT IS 50mA

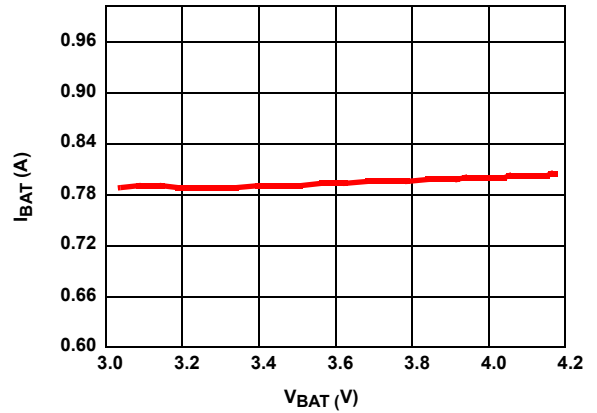


FIGURE 6. CHARGE CURRENT vs OUTPUT VOLTAGE

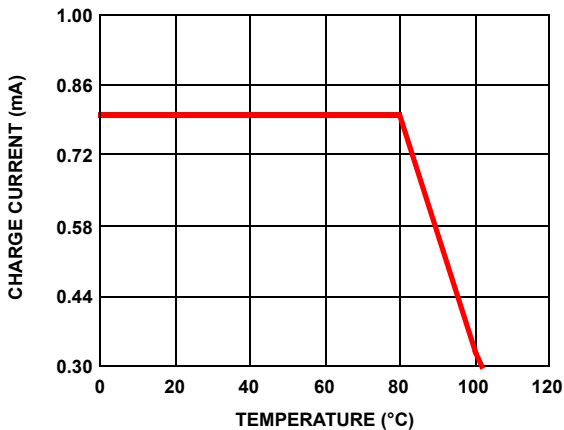


FIGURE 7. CHARGE CURRENT vs AMBIENT TEMPERATURE

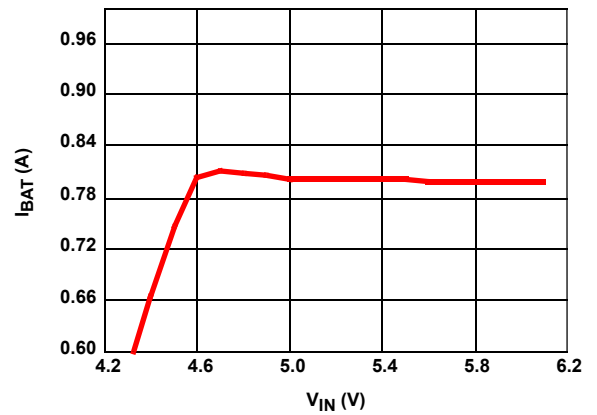


FIGURE 8. CHARGE CURRENT vs INPUT VOLTAGE

Typical Operating Performance

The test conditions for the Typical Operating Performance are: $V_{IN} = 5V$, $T_A = +25^\circ C$, $R_{IREF} = R_{IMIN} = 100k\Omega$, $V_{BAT} = 3.7V$, unless otherwise noted. (Continued)

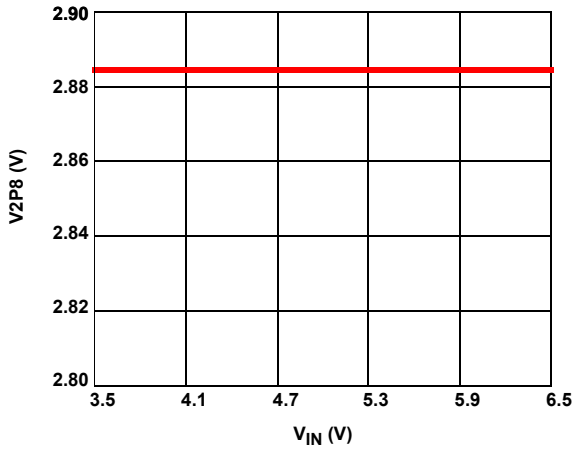


FIGURE 9. V2P8 OUTPUT vs INPUT VOLTAGE

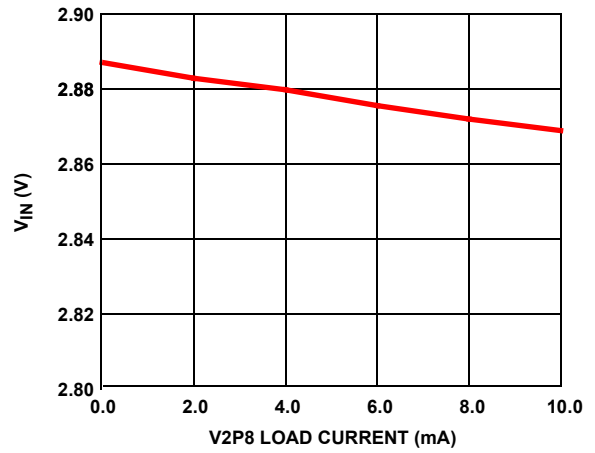


FIGURE 10. V2P8 OUTPUT vs ITS LOAD CURRENT

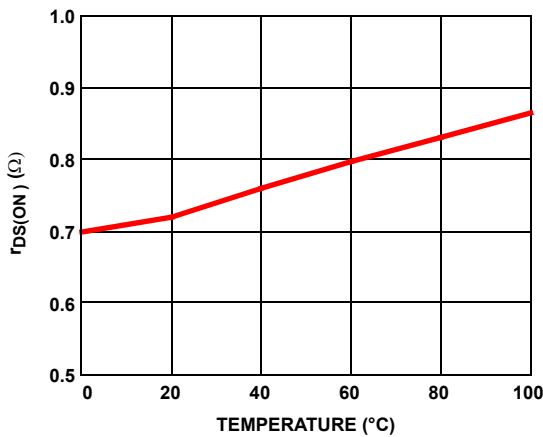


FIGURE 11. $r_{DS(ON)}$ vs TEMPERATURE AT 3.7V OUTPUT

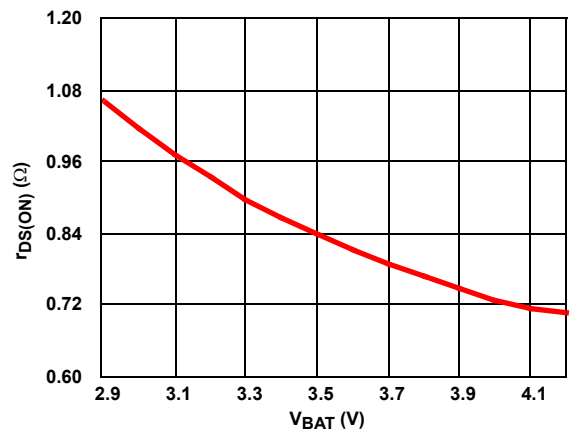


FIGURE 12. $r_{DS(ON)}$ vs OUTPUT VOLTAGE USING CURRENT LIMITED ADAPTERS

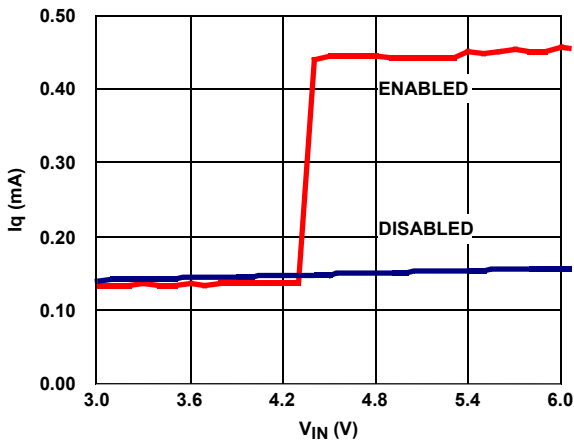


FIGURE 13. INPUT QUIESCENT CURRENT vs INPUT VOLTAGE

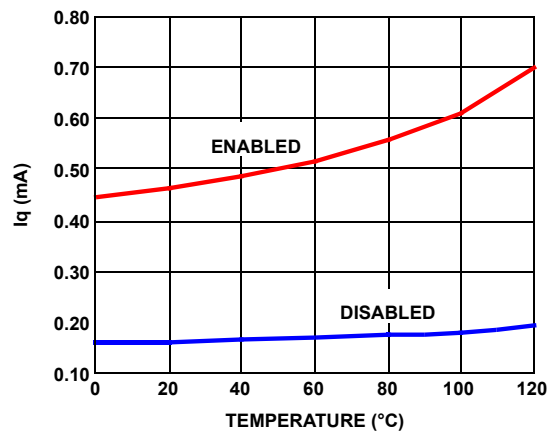


FIGURE 14. INPUT QUIESCENT CURRENT vs TEMPERATURE

Functional Block Diagram

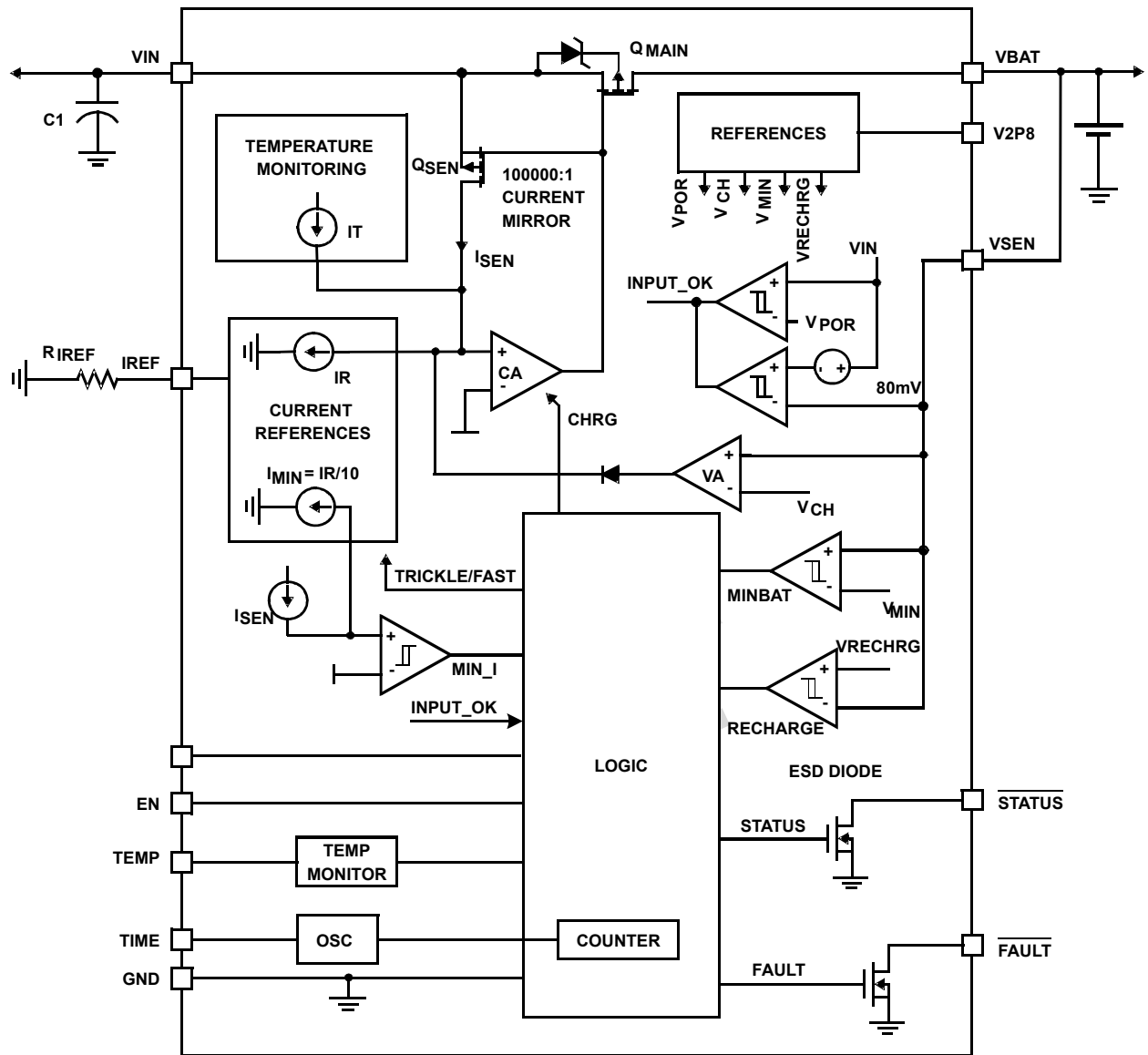


FIGURE 15. FUNCTIONAL BLOCK DIAGRAM

Theory of Operation

The ISL9205 family is an integrated charger for single-cell Li-ion or Li-polymer batteries. The ISL9205 family is capable of operating in two operation modes, linear charge mode and pulse charge mode. The ISL9205 family functions as a traditional linear charger when powered with a voltage source adapter. When powered with a current-limited adapter, the charger functions as a pulse charger by fully turning on the pass element, thereby reducing the power dissipation.

Constant Current Phase

The ISL9205 family starts the charge at a Constant Current (CC) phase. The charge current is regulated to fast charge the battery before the final voltage has been reached. The charge current is programmable with the IREF pin and has two operation modes: trickle mode and Constant Current mode, depending on the battery voltage. When the battery voltage is lower than 2.8V, the charger operates in trickle mode where the charge current is set at 10% of the Constant Current mode current. The trickle mode is for preconditioning a deeply discharged battery. Once the battery voltage is above the typical 2.8V threshold, the Constant Current mode starts. The constant current is programmable between 50mA to 1A.

Constant Voltage Phase

When the battery reaches the final voltage, the ISL9205 switches the operation to a Constant Voltage (CV) phase. The output voltage is regulated at the final voltage value. During the Constant Voltage phase, the charge current reduces gradually as the cell voltage rises.

End-of-Charge and Recharge

As the charge current reaches the End-of-Charge (EOC) current threshold during the Constant Voltage phase, the STATUS pin open-drain FET is turned off to indicate an EOC condition. The EOC current is programmable for the ISL9205 by connecting a resistor from the IMIN pin to GND. For others, the EOC current is fixed at 10% of the programmed constant charge current. When the STATUS pin indicates the EOC condition, the charger will continue to charge until the EN pin is pulled to logic LOW or the input power has been removed. After EOC is reached, recharge will occur when the battery voltage falls to 150mV below the constant voltage value. The STATUS open-drain FET is turned on when a recharge condition is met. An internal delay is implemented at the STATUS pin for both EOC and recharge conditions to prevent nuisance trips due to noise and fast load current transitions. The delay time is approximately one clock cycle (varies between 0.5 and 1.5 clock) of the internal oscillator, which is programmed by the timer capacitor. The typical charge waveforms in [Figure 16](#) show the complete cycle operation.

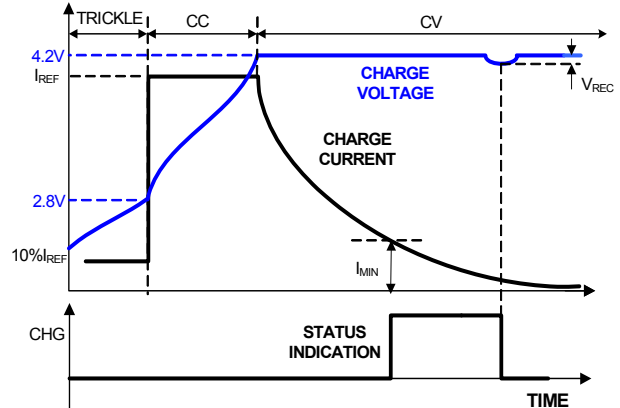


FIGURE 16. TYPICAL CHARGE CYCLE WITH TIMEOUT

Temperature Monitoring and Thermal Foldback

In the event the die temperature reaches the thermal foldback threshold (+110 °C typical), the charge current is reduced accordingly to prevent further temperature rise. In the ISL9205 and ISL9205D versions, there is an external temperature monitoring function. A Negative Temperature Coefficient (NTC) thermistor can be connected between the TEMP pin and GND to monitor the battery temperature or ambient temperature. The hysteresis comparators internal to the ISL9205 family provide a valid temperature window centered at the voltage of the TEMP pin, which is programmed by the NTC and the pull-up resistor connected to the pin. When the measured temperature is outside this window, the charger is paused (both the charger and the timer are stopped) and a fault indication is issued. If the thermistor is attached to the battery, the TEMP function can be used to discover a battery removal condition when the TEMP pin voltage is much higher than the reference threshold.

POR

The Power-on Reset (POR) function monitors the supply voltage. The POR has a rising edge threshold of 3.6V typical and 2.5V typical for falling edge. The charger is expected to operate when the input voltage is above the POR threshold. After POR, the charger will continue to operate for supply voltage down to 2.5V typical. It is also required that the supply voltage be higher than the VBAT pin voltage by a typical 80mV for the charger to function.

Oscillator, TIMEOUT, and Charge Cycle

The ISL9205 family incorporates an oscillation circuit using an external timing capacitor connected to the TIME pin. The oscillator sets the limit for the maximum charge time during the trickle mode and the fast mode (CC and CV). The maximum charge time (TIMEOUT) for the fast mode is set by:

$$\text{TIMEOUT} = 2^{22} t_{\text{OSC}}$$

where the t_{OSC} is the oscillator period. The minimum programmable t_{OSC} is 20 μ s ($C_{\text{TIME}} = 100\text{pF}$). The time limit for the trickle charge is 1/8 of the fast mode time limit. In the ISL9205 family, the timeout function can be disabled by pulling the TOEN pin to logic LOW. When TIMEOUT is disabled, the charger will never be turned off in Constant Current and Constant Voltage modes. For the ISL9205B and the ISL9105D, the timeout function is always enforced. For the ISL9105A, there is not timeout function.

A charge cycle is the time interval between the time when the charger is enabled to the moment it is disabled. If the battery voltage is lower than the trickle charge threshold at the time the charger is enabled, the charger enters the trickle mode and the timer is reset and its limit is set to 1/8 of TIMEOUT. If the timeout function is enabled, the charger will stop and indicate a TIMEOUT fault if the charge time is longer than the limit. If the trickle mode completes successfully before the time limit, the charger moves to CC mode and the timer is reset and the time limit is set to TIMEOUT. The charger needs to reach the EOC conditions before the TIMEOUT interval elapses, otherwise, a TIMEOUT fault will be issued. The charger indicates the EOC with the STATUS pin but does not terminate charging.

Disabling TIMEOUT with TOEN

In the ISL9205 family, the timeout function in fast charge state (CC/CV) can be disabled by pulling the TOEN pin to logic LOW. The timeout function for the Trickle Charge mode can not be disabled. Note that in the ISL9205A, there is no timeout function for both the trickle and the CC/CV intervals, whereas in the ISL9205 with TOEN set pulled to LOW, there is no timeout for the CC/CV interval but the timeout function for the trickle interval is still enforced.

Indications

The ISL9205 family has two open-drain status indication pins. These two pins are FAULT and STATUS. These pins require an external pull-up resistor to function properly. The V2P8 pin can be used to indicate the presence of an AC adapter. When an adapter pluses in, V2P8 is at 2.8V (logic Hi), otherwise V2P8 pin is at zero voltage (logic Lo).

Charger Disable

The EN pin allows the user to disable the charger. When the charger is disabled, all internal circuits are shut down and the quiescent current at the input pin is less than a typical value of 150mA.

Remote Battery Voltage Sensing

In the ISL9205, ISL9205A, ISL9205B, and ISL9205C versions, a kelvin sense pin is provided for battery terminal voltage monitoring. Thus, the IR drop due to the connection leads and

PCB traces can be eliminated, resulting in a more accurate battery voltage monitoring, especially when the battery is located at a significant distance away from the ISL9205. If remote sensing is not needed, the VSEN pin can be connected to VBAT at the IC.

Applications Information

PCB Layout Guidance

The ISL9205 family uses thermally-enhanced QFN/DFN packages that have an exposed thermal pad at the bottom side of the package. The layout should connect as much as possible to copper on the exposed pad. Typically, the component layer is more effective in dissipating heat. The thermal impedance can be further reduced by using other layers of copper connecting to the exposed pad through a thermal via array. A minimum of four such thermal vias are recommended. Each thermal via is recommended to have 0.3mm diameter and 0.7mm distance from other thermal vias.

Stability Consideration

The ISL9205 should behave like a current and thermal limited linear regulator. The charger operation is stable with an output ceramic decoupling capacitor in the range of 1 μ F to 200 μ F, with or without a battery connected.

Input Bypass Capacitor

Due to the inductance of the power leads of the wall adapter or USB source, the input capacitor type must be properly selected to prevent high voltage transient during a hot-plug event. A tantalum capacitor is a good choice for its high ESR, providing damping to the voltage transient. Multi-layer ceramic capacitors, however, have a very low ESR and hence, when chosen as input capacitor, a 1 Ω series resistor must be used to provide adequate damping, as shown in the "Typical Applications" on page 6.

State Machine Diagram

The state machine diagram is shown in [Figure 17](#). The diagram starts with the Power-Off state. When the input voltage rises above the POR threshold, the charger resets itself. Then, if the charger is disabled, the charger stays in the Charger Disabled state. If the charger is enabled, the trickle charge starts. At any time, when entering the trickle charge state, the internal TIMEOUT timer is reset. There are two paths to exit the trickle charge, one is when the battery voltage rises above the preconditioning charge threshold within the 1/8 TIMEOUT interval, and the other is when the 1/8 TIMEOUT interval has been elapsed before reaching the preconditioning charge voltage threshold. When TIMEOUT fault occurs, the charger enters the TIMEOUT fault state. There are only two ways to exit the TIMEOUT fault state, by toggling the EN input or re-cycling the input power. If the charger finishes the trickle charger before the 1/8 TIMEOUT limit, it moves to the fast charge state. When entering the fast charge state, the TIMEOUT timer is reset as well. If the charger hits EOC conditions before the TIMEOUT, the charger enters Charge Complete state. The charger stays on, but the STATUS indicates EOC condition. When VBAT drops below the recharge threshold, the STATUS pin will turn to logic low to indicate charging again.

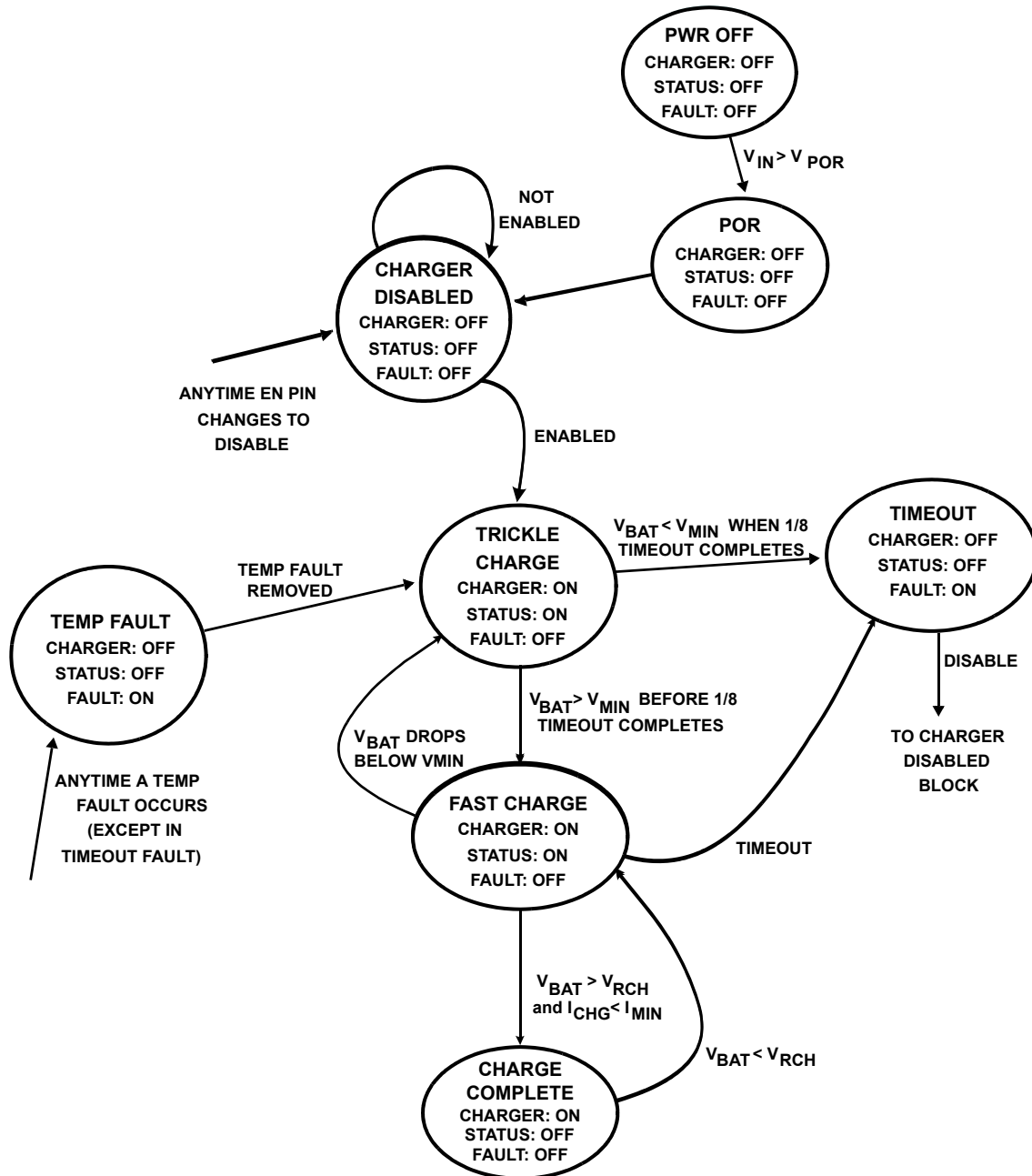


FIGURE 17. STATE MACHINE DIAGRAM

Revision History The revision history provided is for informational purposes only and is believed to be accurate, but not warranted. Please visit our website to make sure you have the latest revision.

DATE	REVISION	CHANGE
September 30, 2016	FN9252.3	Changed ISL9205 part number throughout to ISL9205, ISL9205A, ISL9205B, ISL9205C, ISL9205D. Updated entire datasheet applying Intersil's new standards. Added Revision History and About Intersil sections. Edited on page 4 from "Typically a 10µF Tantalum capacitor is needed for stability when there is no battery attached" to "Typically a ceramic capacitor of minimum 1µF is needed for stability when there is no battery attached".

About Intersil

Intersil Corporation is a leading provider of innovative power management and precision analog solutions. The company's products address some of the largest markets within the industrial and infrastructure, mobile computing, and high-end consumer markets. For the most updated datasheet, application notes, related documentation, and related parts, see the respective product information page found at www.intersil.com. You may report errors or suggestions for improving this datasheet by visiting www.intersil.com/ask. Reliability reports are also available from our website at www.intersil.com/support.

© Copyright Intersil Americas LLC 2007-2016. All Rights Reserved.
 All trademarks and registered trademarks are the property of their respective owners.

For additional products, see www.intersil.com/en/products.html

Intersil products are manufactured, assembled and tested utilizing ISO9001 quality systems as noted in the quality certifications found at www.intersil.com/en/support/qualandreliability.html

Intersil products are sold by description only. Intersil may modify the circuit design and/or specifications of products at any time without notice, provided that such modification does not, in Intersil's sole judgment, affect the form, fit or function of the product. Accordingly, the reader is cautioned to verify that datasheets are current before placing orders. Information furnished by Intersil is believed to be accurate and reliable. However, no responsibility is assumed by Intersil or its subsidiaries for its use; nor for any infringements of patents or other rights of third parties which may result from its use. No license is granted by implication or otherwise under any patent or patent rights of Intersil or its subsidiaries.

For information regarding Intersil Corporation and its products, see www.intersil.com

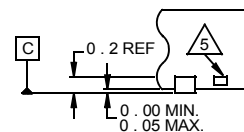
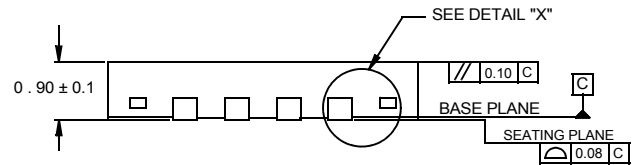
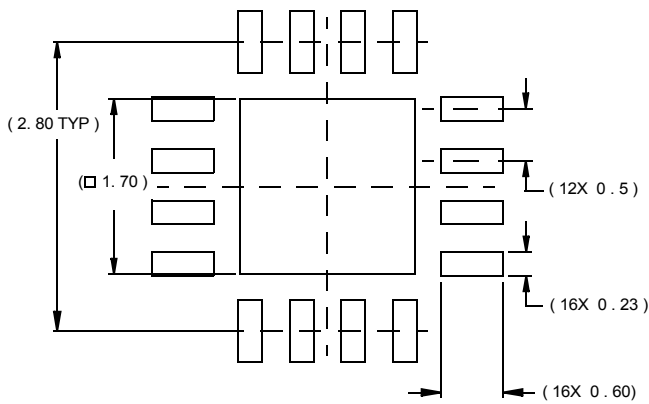
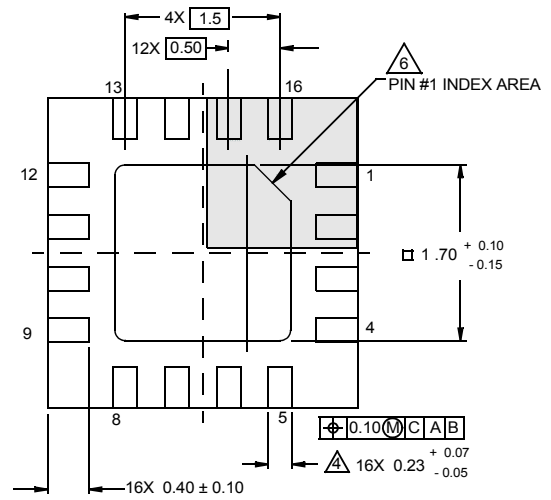
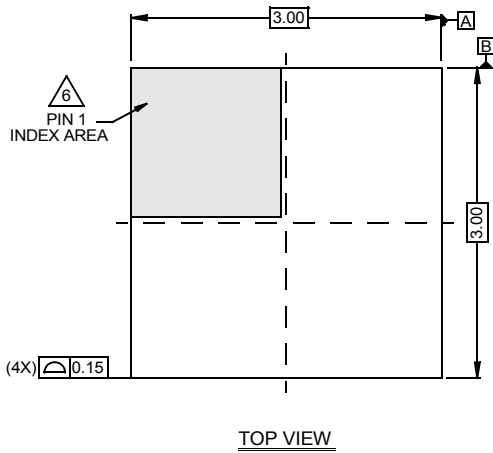
Package Outline Drawing

L16.3x3B

16 LEAD QUAD FLAT NO-LEAD PLASTIC PACKAGE

Rev 1, 4/07

For the most recent package outline drawing, see [L16.3x3B](#).



NOTES:

1. Dimensions are in millimeters.
Dimensions in () for Reference Only.
2. Dimensioning and tolerancing conform to AMSE Y14.5m-1994.
3. Unless otherwise specified, tolerance : Decimal ± 0.05
4. Dimension b applies to the metallized terminal and is measured between 0.15mm and 0.30mm from the terminal tip.
5. Tiebar shown (if present) is a non-functional feature.
6. The configuration of the pin #1 identifier is optional, but must be located within the zone indicated. The pin #1 identifier may be either a mold or mark feature.

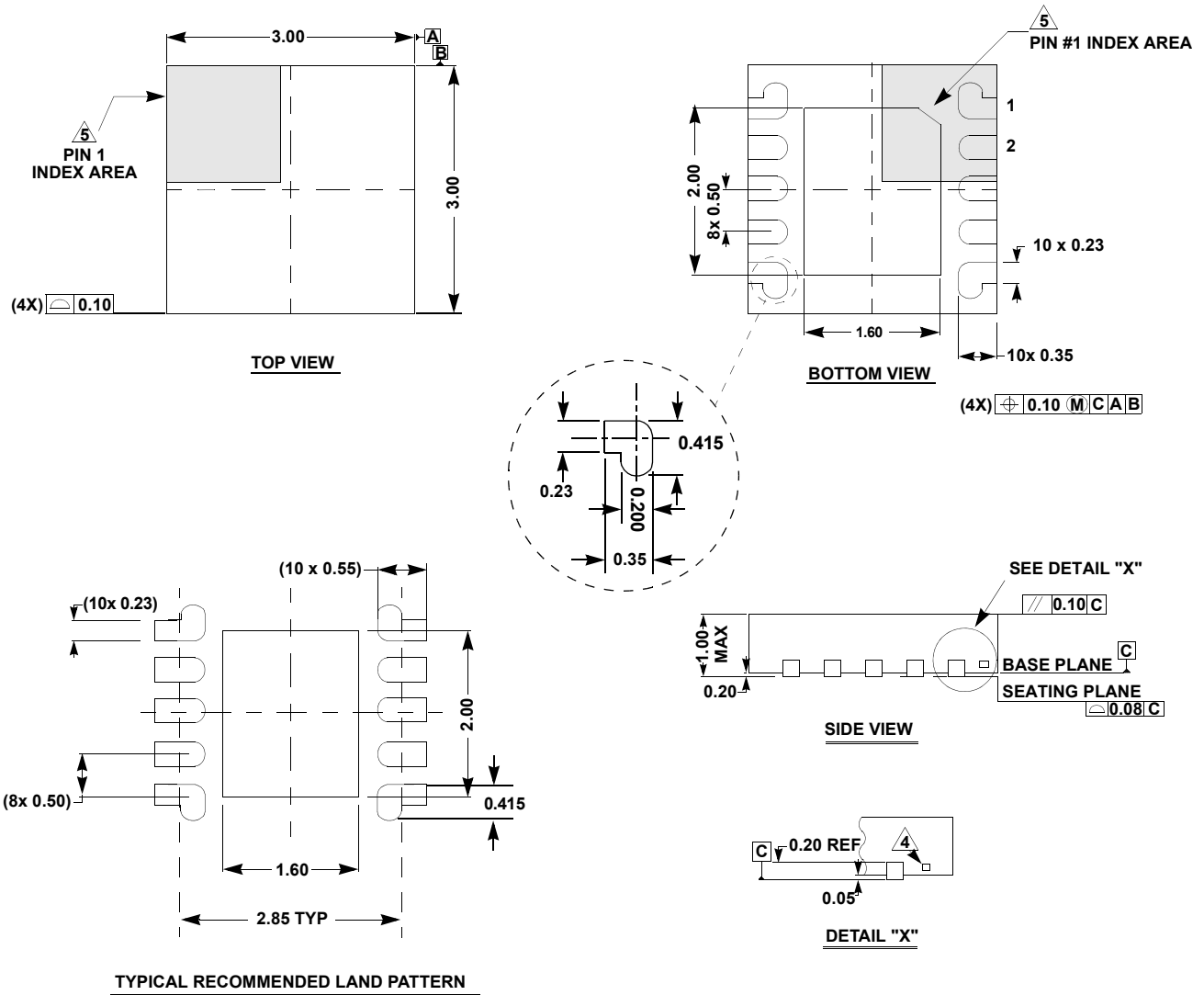
Package Outline Drawing

For the most recent package outline drawing, see [L10.3x3](#).

L10.3x3

10 LEAD DUAL FLAT PACKAGE (DFN)

Rev 11, 3/15



NOTES:

1. Dimensions are in millimeters.
Dimensions in () for Reference Only.
2. Dimensioning and tolerancing conform to ASME Y14.5m-1994.
3. Unless otherwise specified, tolerance : Decimal ± 0.05
4. Tiebar shown (if present) is a non-functional feature and may be located on any of the 4 sides (or ends).
5. The configuration of the pin #1 identifier is optional, but must be located within the zone indicated. The pin #1 identifier may be either a mold or mark feature.

Mouser Electronics

Authorized Distributor

Click to View Pricing, Inventory, Delivery & Lifecycle Information:

[Renesas Electronics:](#)

[ISL9205AIRZ](#) [ISL9205AIRZ-T](#) [ISL9205BIRZ](#) [ISL9205BIRZ-T](#) [ISL9205CIRZ](#) [ISL9205CIRZ-T](#) [ISL9205DIRZ](#)
[ISL9205DIRZ-T](#) [ISL9205IRZ](#) [ISL9205IRZ-T](#)