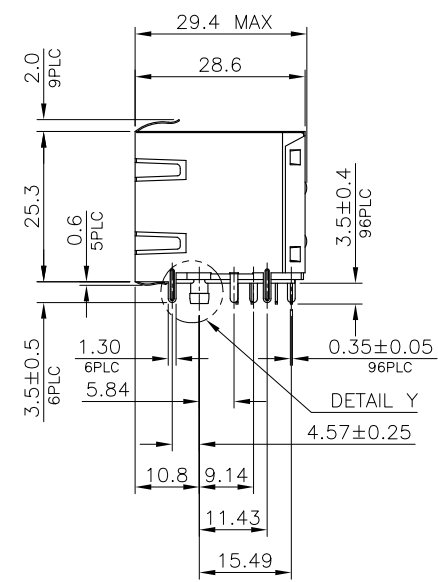
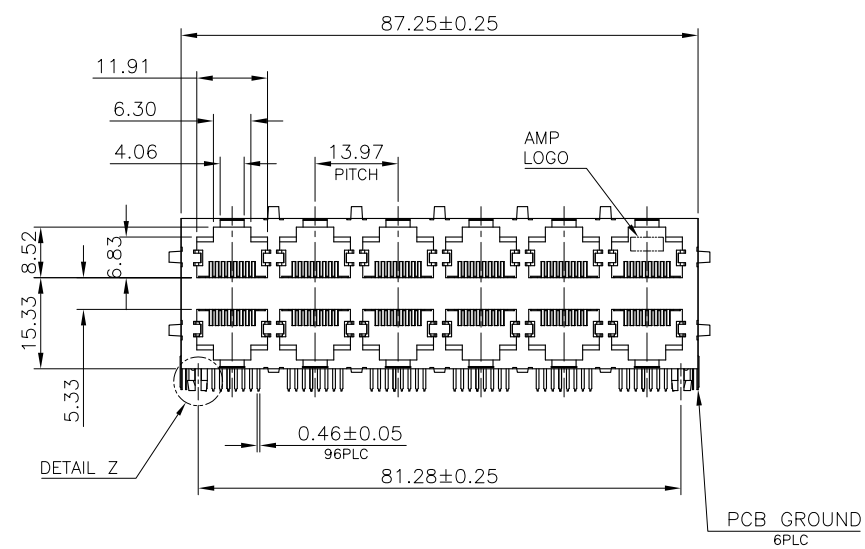


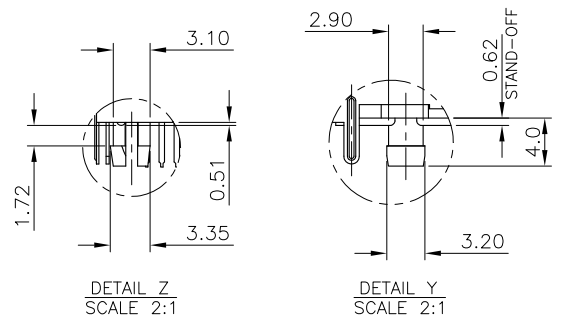
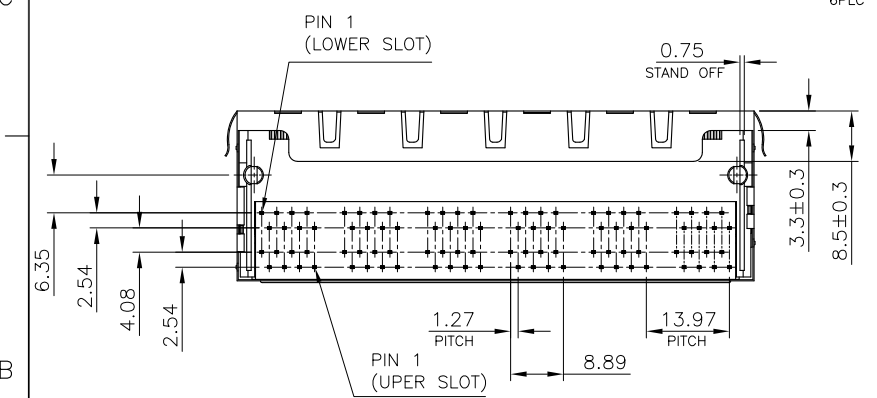
LOC	DW	DIST	REVISIONS			
P	LTR	DESCRIPTION	DATE	DWN	APVD	
B3		REVISED (ECR-12-012115, OBSOLETE P/N 2-2, 2-3, 2-4, 2-7, 2-8, 7-2, 7-3)	23OCT'12	E.L.	W.K.	



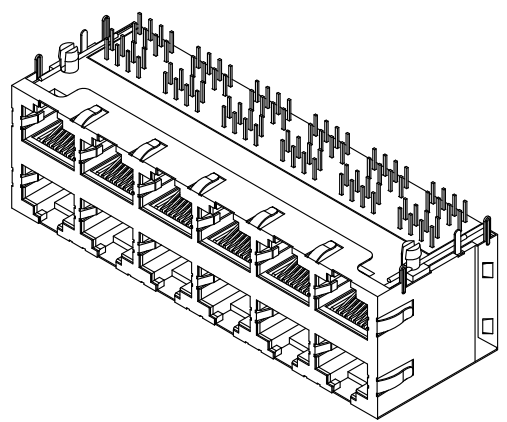
NOTE:

- MATERIAL:
 - HOUSING & COVER: THERMOPLASTIC (SEE TABLE), WITH 30% GF, UL94V-0, COLOR: BLACK.
 - INSERT HOUSING: PBT, WITH 30% GF, UL94V-0, COLOR: BLACK.
 - CONTACTS: PHOSPHOR BRONZE.
 - SHELL & INNER SHELL: BRASS.
- FINISH:
 - CONTACTS: (SEE TABLE) GOLD PLATED ON CONTACT AREA. GOLD FLASH ON SOLDER TAIL. 1.27um [50u"] MIN. NICKEL UNDERPLATED OVERALL.
 - SHELL: Δ - GOLD FLASH OVER 0.508um [20u"] MIN. NICKEL PLATED OVERALL.
 Δ - 0.508um [25u"] MIN. NICKEL PLATED OVERALL.

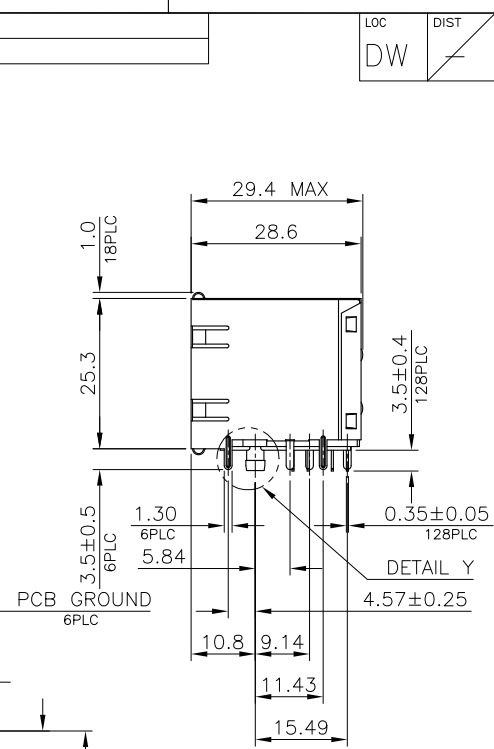
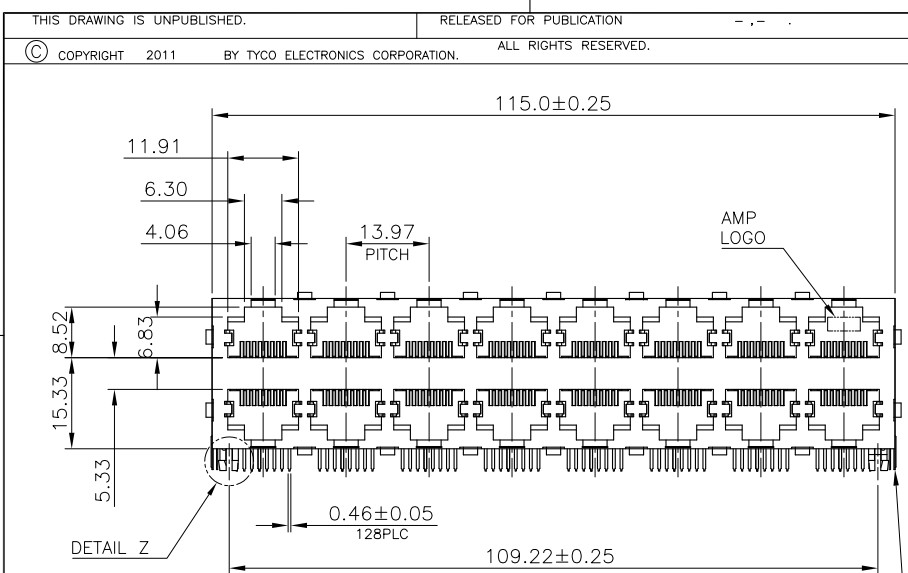
Δ WAVE SOLDER CAPABLE TO 220°C.
 Δ WAVE SOLDER CAPABLE TO 265°C PER TE TEST SPEC. 109-202, CONDITION B.
 Δ OBSOLETE PARTS:
 OBSOLETE CIS STREAMLINING PER D.RENAUD/D.SINISI.



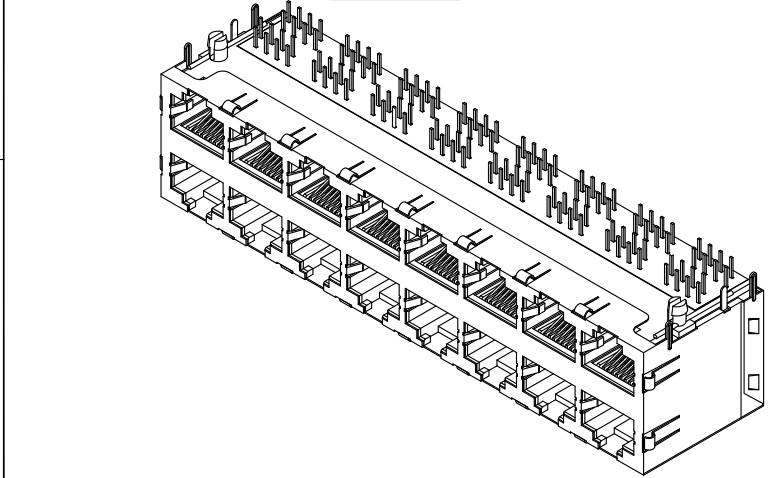
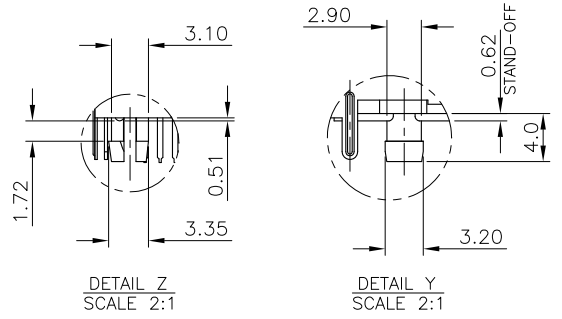
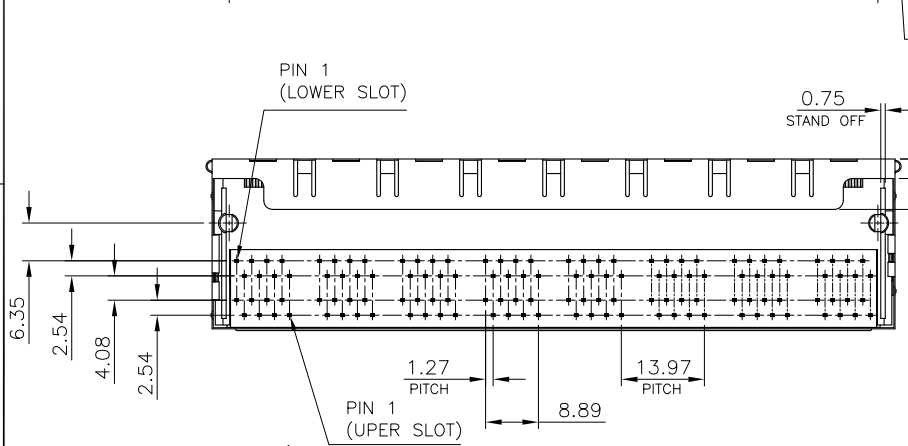
OBSOLETE	PA46	Δ	12	Δ	0.762um[30u"]	6-1734473-6
				Δ	0.381um[15u"]	6-1734473-5
				Δ	0.152um[6u"]	6-1734473-4
				Δ	0.762um[30u"]	6-1734473-3
				Δ	0.381um[15u"]	6-1734473-2
				Δ	0.152um[6u"]	6-1734473-1
	PBT	Δ	12	Δ	0.762um[30u"]	1-1734473-6
				Δ	0.381um[15u"]	1-1734473-5
				Δ	0.152um[6u"]	1-1734473-4
				Δ	0.762um[30u"]	1-1734473-3
				Δ	0.381um[15u"]	1-1734473-2
				Δ	0.152um[6u"]	1-1734473-1
HOUSING MATERIAL	NO. OF PORTS	SHIELD PLATED	MIN. GOLD THICKNESS	PART NUMBER		



THIS DRAWING IS A CONTROLLED DOCUMENT.		DWN	S. CHIEN	07MAY2009	TE Connectivity
DIMENSIONS: mm		CHK	S. CHIEN	07MAY2009	
TOLERANCES UNLESS OTHERWISE SPECIFIED:		APVD	W. KODAMA	07MAY2009	
0 PLC ± - 1 PLC ± 0.3 2 PLC ± 0.2 3 PLC ± 0.15 4 PLC ± - ± 3°		NAME	MODULAR JACK RJ45, STACKED, MULTI-PORT, SHIELDED, THRU-HOLE, PANEL GROUND		
MATERIAL	SEE NOTE	FINISH	SEE NOTE	APPLICATION SPEC	108-57535
		WEIGHT	70 GRAMS	SIZE	A3
		CAGE CODE	00779	DRAWING NO	C=1734473
		CUSTOMER DRAWING		RESTRICTED TO	
		SCALE		SHEET	1 of 6
				REV	B3



NOTE:
 1. MATERIAL:
 1.1 HOUSING & COVER: PBT, WITH 30% GF, UL94V-0, COLOR: BLACK.
 1.2 INSERT HOUSING: PBT, WITH 30% GF, UL94V-0, COLOR: BLACK.
 1.3 CONTACTS: PHOSPHOR BRONZE.
 1.4 SHELL & INNER SHELL: BRASS.
 2. FINISH:
 2.1 CONTACTS: (SEE TABLE) GOLD PLATED ON CONTACT AREA. GOLD FLASH ON SOLDER TAIL. 1.27um [50u"] MIN. NICKEL UNDERPLATED OVERALL.
 2.2 SHELL: 0.508um [25u"] MIN. NICKEL PLATED OVERALL.
 3. WAVE SOLDER CAPABLE TO 240°C PER TE TEST SPEC. 109-202, CONDITION A.

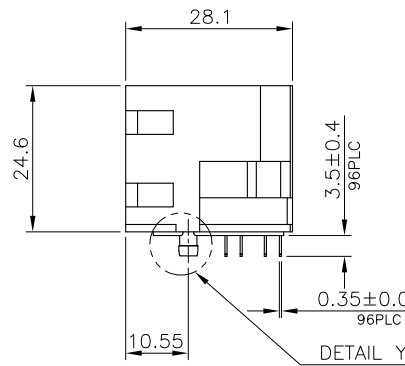
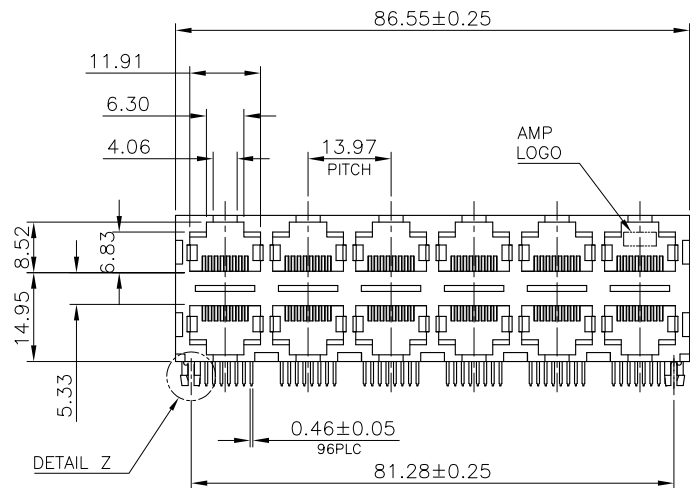


OBSOLETE	PBT	16	25u" MIN. NICKEL	w/o	0.152um[6u"]	2-1734473-8
					0.762um[30u"]	2-1734473-7
				w/	0.762um[30u"]	2-1734473-3
					0.381um[15u"]	2-1734473-2
					0.152um[6u"]	2-1734473-1
	HOUSING MATERIAL	NO. OF PORTS	SHELL PLATING	TIN PLATED ON PCB GROUNDS	MIN. GOLD THICKNESS	PART NUMBER

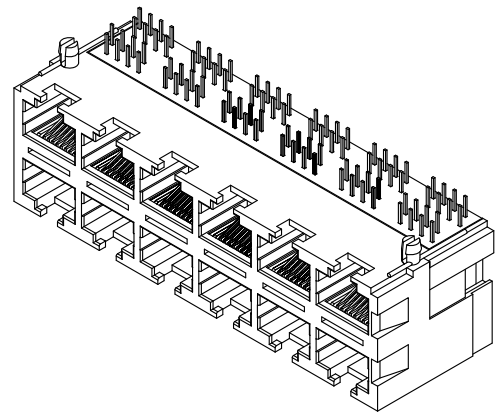
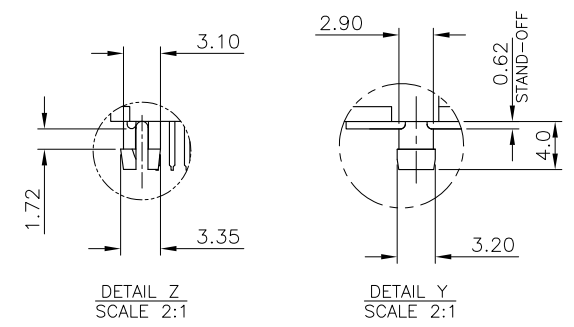
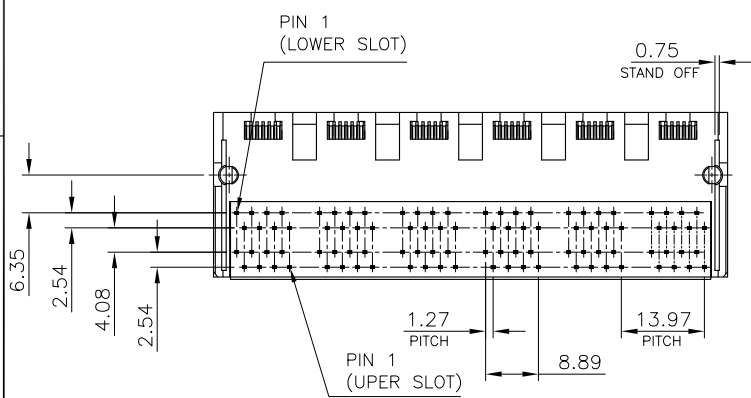
THIS DRAWING IS A CONTROLLED DOCUMENT.

DIMENSIONS: mm	TOLERANCES UNLESS OTHERWISE SPECIFIED: 0 PLC ± - 1 PLC ± 0.3 2 PLC ± 0.2 3 PLC ± 0.15 4 PLC ± - ANGLES ± 3'	DWN - CHK - APVD - PRODUCT SPEC - APPLICATION SPEC - WEIGHT -	NAME - MODULAR JACK RJ45, STACKED, MULTI-PORT, SHIELDED, THRU-HOLE, PANEL GROUND
MATERIAL	FINISH	SIZE A3 CAGE CODE 00779 DRAWING NO. C=1734473	RESTRICTED TO -
CUSTOMER DRAWING		SCALE -	SHEET 2 of 6 REV B3

STE TE Connectivity



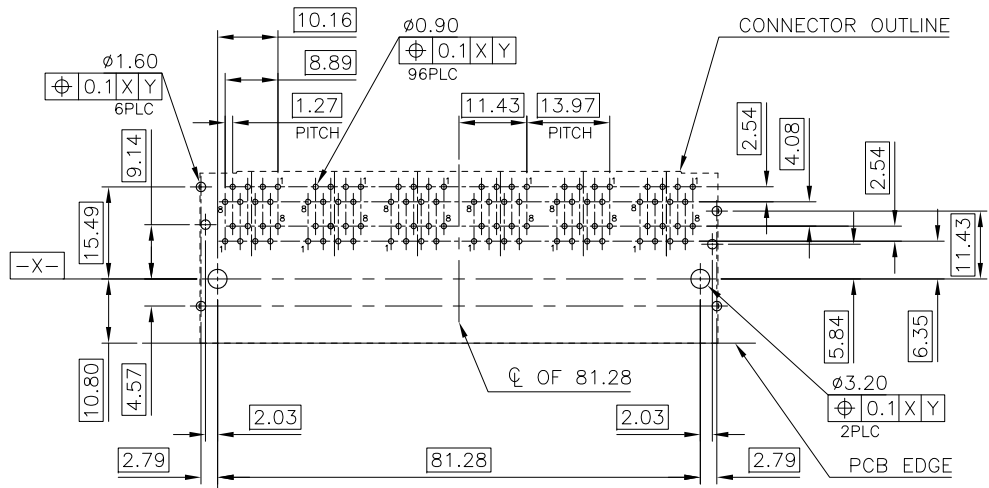
NOTE:
 1. MATERIAL:
 1.1 HOUSING & COVER: PBT, WITH 30% GF, UL94V-0, COLOR: BLACK.
 1.2 INSERT HOUSING: PBT, WITH 30% GF, UL94V-0, COLOR: BLACK.
 1.3 CONTACTS: PHOSPHOR BRONZE.
 2. FINISH:
 2.1 CONTACTS: (SEE TABLE) GOLD PLATED ON CONTACT AREA. GOLD FLASH ON SOLDER TAIL. 1.27um [50u"] MIN. NICKEL UNDERPLATED OVERALL.
 3. WAVE SOLDER CAPABLE TO 240°C PER TE TEST SPEC. 109-202, CONDITION A.
 4. THIS PRODUCT WITHOUT SHELL.



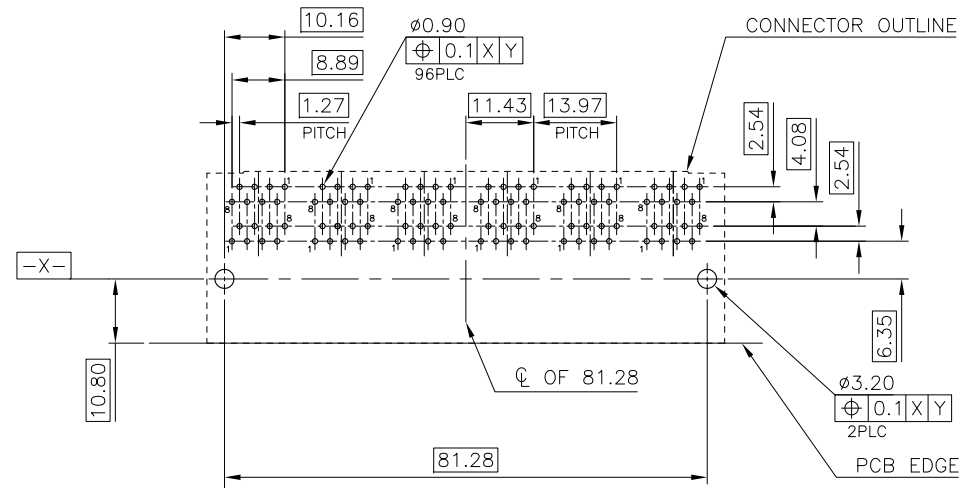
OBSOLETE	PBT	12	0.762um[30u"]	7-1734473-3
			0.381um[15u"]	7-1734473-2
OBSOLETE			0.152um[6u"]	7-1734473-4
	HOUSING MATERIAL	NO. OF PORTS	MIN. GOLD THICKNESS	PART NUMBER

THIS DRAWING IS A CONTROLLED DOCUMENT.

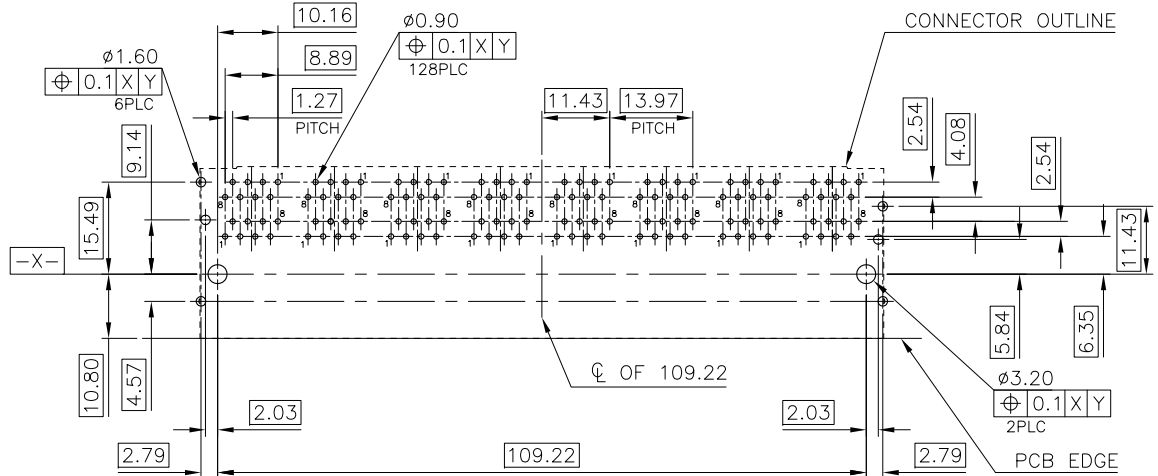
DIMENSIONS: mm	TOLERANCES UNLESS OTHERWISE SPECIFIED: 0 PLC ± - 1 PLC ± 0.3 2 PLC ± 0.2 3 PLC ± 0.15 4 PLC ± - ANGLES ± 3'	DWN CHK APVD PRODUCT SPEC APPLICATION SPEC WEIGHT	NAME MODULAR JACK RJ45, STACKED, MULTI-PORT, SHIELDED, THRU-HOLE, PANEL GROUND
MATERIAL	FINISH	SIZE A3	CAGE CODE 00779
		DRAWING NO C=1734473	RESTRICTED TO
		CUSTOMER DRAWING	SCALE SHEET 3 of 6 REV B3



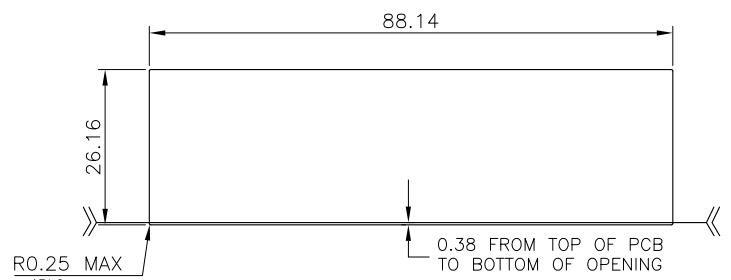
RECOMMENDED PCB LAYOUT
 TOLERANCE: ±0.05, PCB THICKNESS: 1.6mm
 FOR PN 1-1734473-X ; 6-1734473-X



RECOMMENDED PCB LAYOUT
 TOLERANCE: ±0.05, PCB THICKNESS: 1.6mm
 FOR PN 7-1734473-X



RECOMMENDED PCB LAYOUT
 TOLERANCE: ±0.05, PCB THICKNESS: 1.6mm
 FOR PN 2-1734473-X



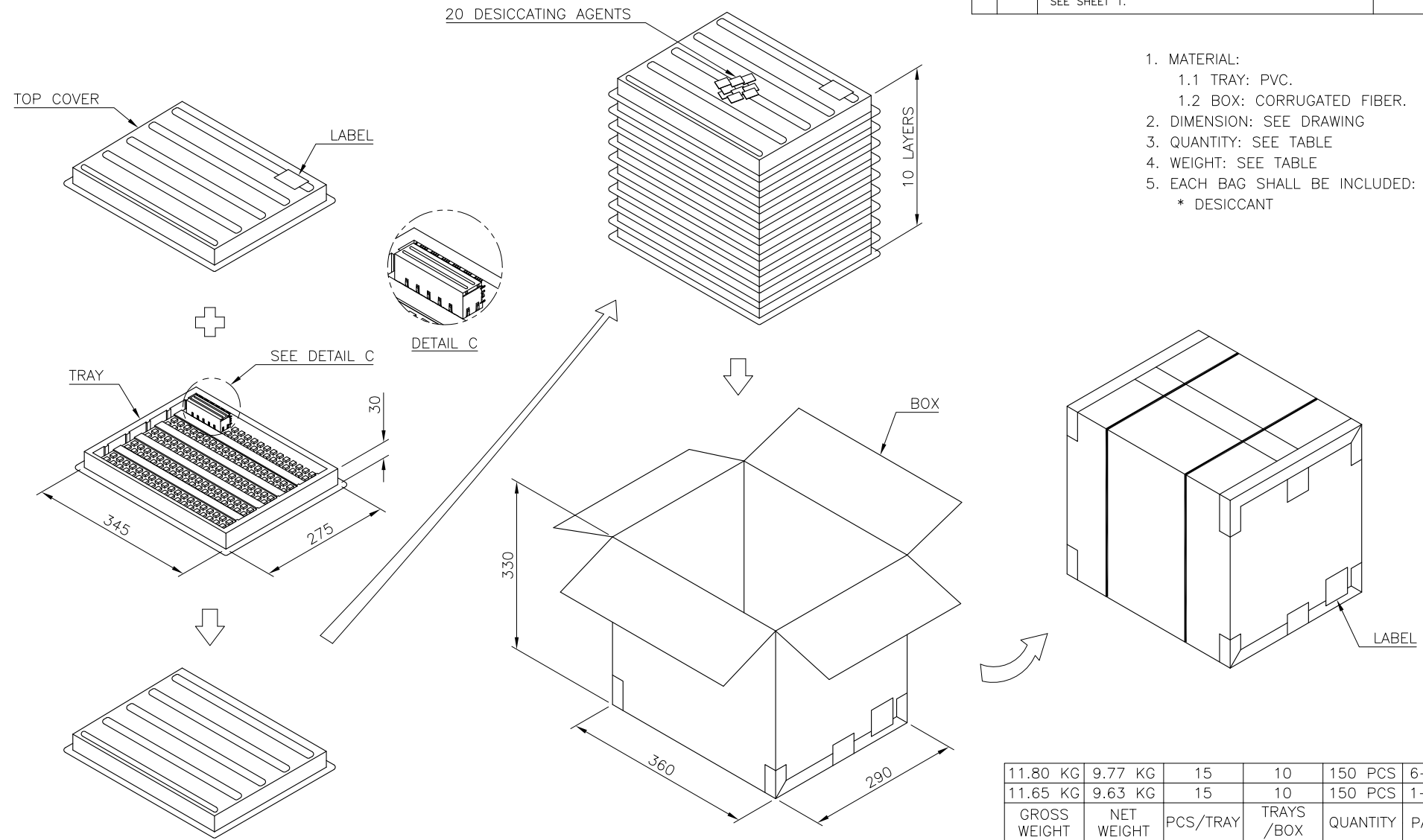
SUGGESTED PANEL CUTOUT
 FOR PN 1-1734473-X ; 6-1734473-X

THIS DRAWING IS A CONTROLLED DOCUMENT.		DWN	TE Connectivity		
DIMENSIONS: mm		CHK	NAME		
TOLERANCES UNLESS OTHERWISE SPECIFIED:		APVD	MODULAR JACK RJ45, STACKED, MULTI-PORT, SHIELDED, THRU-HOLE, PANEL GROUND		
0 PLC ± -		PRODUCT SPEC	SIZE	CAGE CODE	DRAWING NO
1 PLC ± 0.3		APPLICATION SPEC	A3	00779	C=1734473
2 PLC ± 0.2		WEIGHT	RESTRICTED TO		
3 PLC ± 0.15		CUSTOMER DRAWING	SCALE		
4 PLC ± -			SHEET 4 of 6		
ANGLES ± 3'			REV B3		
MATERIAL	FINISH				

THIS DRAWING IS UNPUBLISHED. RELEASED FOR PUBLICATION
 © COPYRIGHT 2011 BY TYCO ELECTRONICS CORPORATION. ALL RIGHTS RESERVED.

LOC	DIST	REVISIONS					
DW		P	LTR	DESCRIPTION	DATE	DWN	APVD
				SEE SHEET 1.			

1. MATERIAL:
 - 1.1 TRAY: PVC.
 - 1.2 BOX: CORRUGATED FIBER.
2. DIMENSION: SEE DRAWING
3. QUANTITY: SEE TABLE
4. WEIGHT: SEE TABLE
5. EACH BAG SHALL BE INCLUDED:
 - * DESICCANT

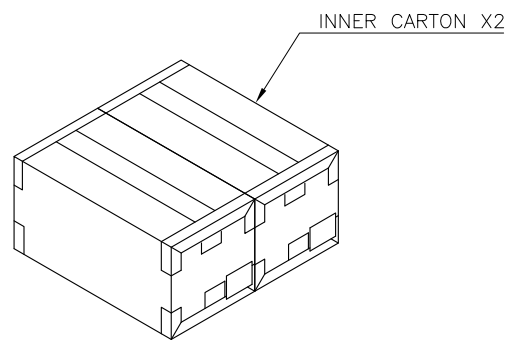
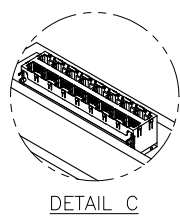
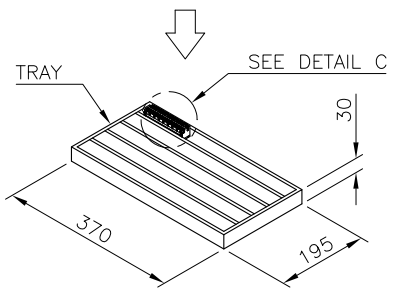
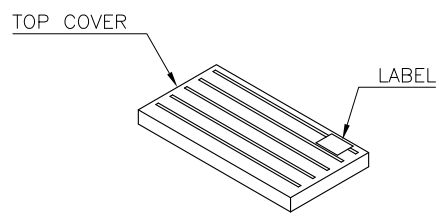


11.80 KG	9.77 KG	15	10	150 PCS	6-1734473-X
11.65 KG	9.63 KG	15	10	150 PCS	1-1734473-X
GROSS WEIGHT	NET WEIGHT	PCS/TRAY	TRAYS /BOX	QUANTITY	PART NUMBER

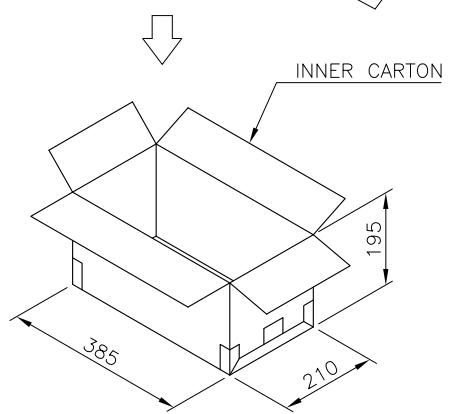
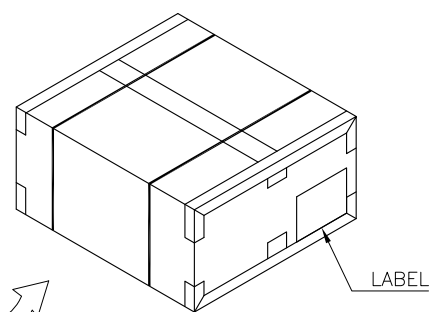
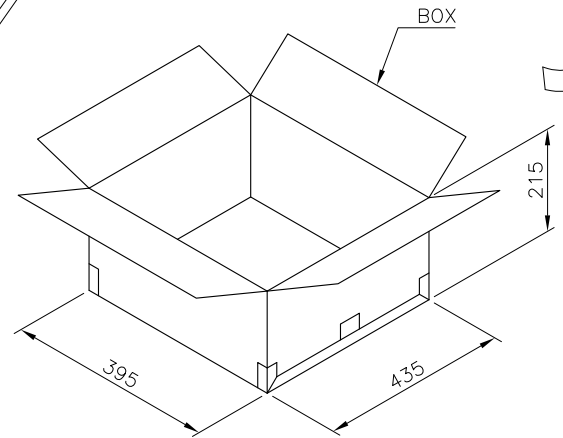
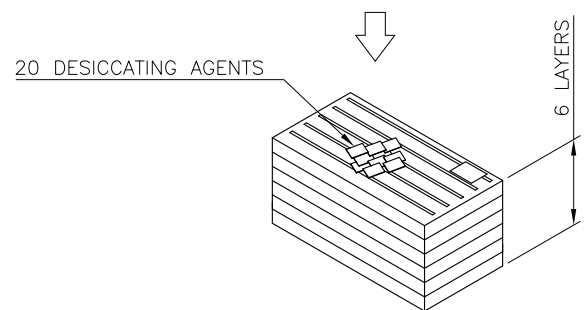
THIS DRAWING IS A CONTROLLED DOCUMENT.		DWN	TE Connectivity		
DIMENSIONS: mm		CHK	NAME		
TOLERANCES UNLESS OTHERWISE SPECIFIED:		APVD	MODULAR JACK RJ45, STACKED, MULTI-PORT, SHIELDED, THRU-HOLE, PANEL GROUND		
0 PLC ± - 1 PLC ± 0.3 2 PLC ± 0.2 3 PLC ± 0.15 4 PLC ± - ANGLES ± 3'		PRODUCT SPEC	SIZE		
MATERIAL		APPLICATION SPEC	CAGE CODE	DRAWING NO	RESTRICTED TO
FINISH		WEIGHT	A3	00779	©=1734473
		CUSTOMER DRAWING	SCALE	SHEET	REV
				5 of 6	B3

THIS DRAWING IS UNPUBLISHED. RELEASED FOR PUBLICATION
 © COPYRIGHT 2011 BY TYCO ELECTRONICS CORPORATION. ALL RIGHTS RESERVED.

LOC DW	DIST	REVISIONS			
P	LTR	DESCRIPTION	DATE	DWN	APVD
		SEE SHEET 1.			



- MATERIAL:
 - 1.1 TRAY: PVC.
 - 1.2 BOX: CORRUGATED FIBER.
- DIMENSION: SEE DRAWING
- QUANTITY: SEE TABLE
- WEIGHT: SEE TABLE
- EACH BAG SHALL BE INCLUDED:
 - * DESICCANT



14.20 KG	11.55 KG	20	6	2	240 PCS	7-1734473-X
18.50 KG	15.82 KG	15	6	2	180 PCS	2-1734473-X
GROSS WEIGHT	NET WEIGHT	PCS/TRAY	TRAYS/INNER BOX	INNER BOX/BOX	QUANTITY	PART NUMBER

THIS DRAWING IS A CONTROLLED DOCUMENT.

DIMENSIONS: mm	TOLERANCES UNLESS OTHERWISE SPECIFIED: 0 PLC ± - 1 PLC ± 0.3 2 PLC ± 0.2 3 PLC ± 0.15 4 PLC ANGLES ± - ± 3'	DWN - CHK - APVD - PRODUCT SPEC - APPLICATION SPEC - WEIGHT -	TE Connectivity NAME MODULAR JACK RJ45, STACKED, MULTI-PORT, SHIELDED, THRU-HOLE, PANEL GROUND	
MATERIAL	FINISH	SIZE A3	CAGE CODE 00779	DRAWING NO. C=1734473
		CUSTOMER DRAWING		RESTRICTED TO -
		SCALE -	SHEET 6 of 6	REV B3

Mouser Electronics

Authorized Distributor

Click to View Pricing, Inventory, Delivery & Lifecycle Information:

[TE Connectivity:](#)

[1-1734473-2](#)