

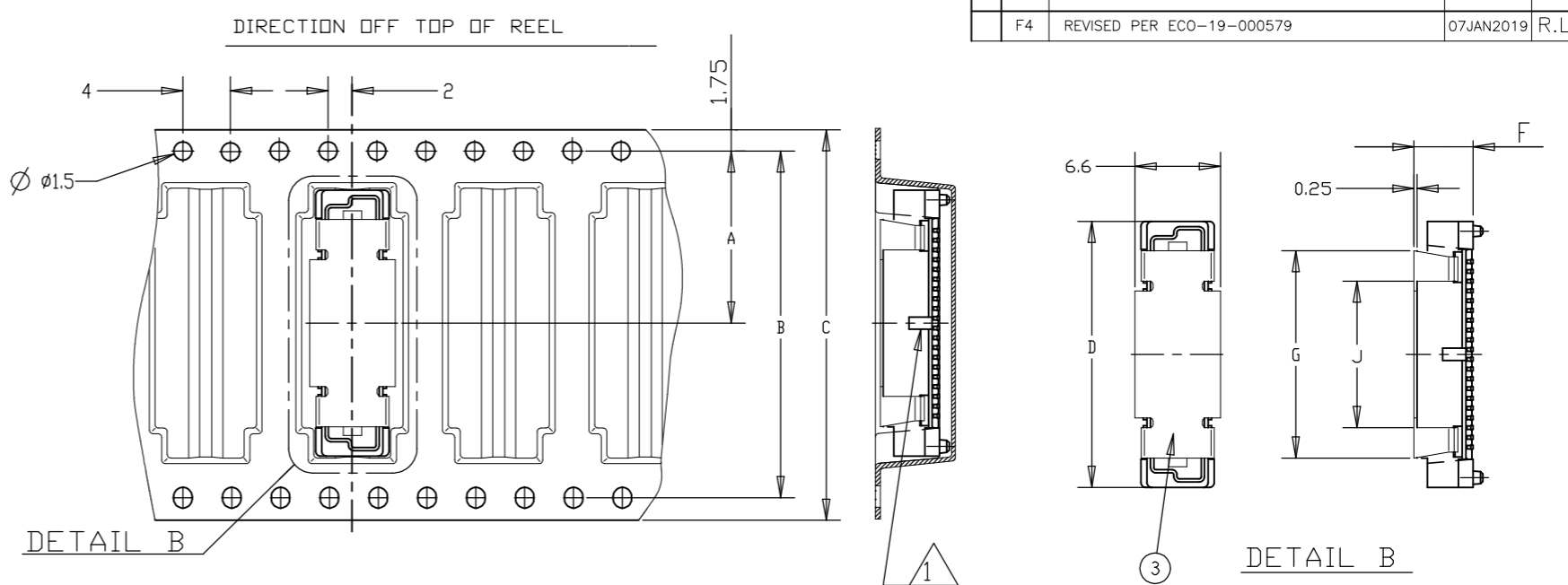
THIS DRAWING IS UNPUBLISHED. RELEASED FOR PUBLICATION
 © COPYRIGHT - TE Connectivity ALL RIGHTS RESERVED.

REVISIONS					
P	LTR	DESCRIPTION	DATE	DWN	APVD
F4		REVISED PER ECO-19-000579	07JAN2019	R.L.	H.L.

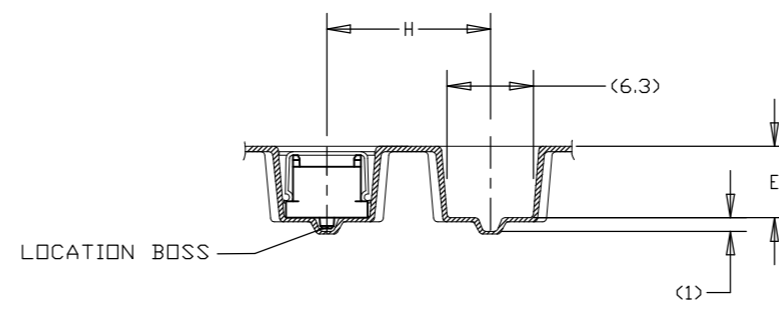
Notes:

- 1 CUTOUT FEATURE AVAILABLE ONLY ON 5H ASSY P/N -1 (40P) AND -2 (60P).
- 2 0.00038 MIN GOLD PLATING (15μ INCHES GOLD PLATING)
- 3 CONNECTOR DIMENSIONS REFERENCED FROM DRAWING WHICH CONN. P/Ns BASED
- 4 CONNECTOR WITH BLACK HOUSING
- 5 MATERIAL: HOUSING: L.C.P UL 94-V0. CONTACT: BRASS

LOW HALOGEN

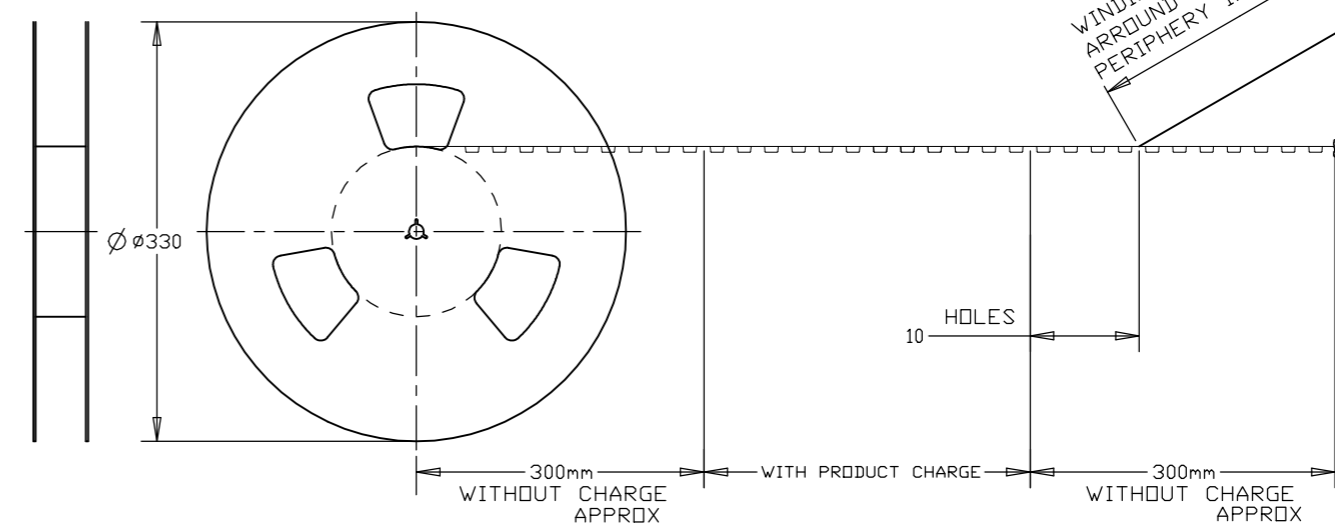


REMARKS	QTY	HEIGHT TYPE	Y	X	J	H	G	F	E	D	C	B	A	POS	SALEABLE PART NO.
0.00076 MIN GOLD PLATING (300μ INCHES GOLD PLATING)		450													61.8
															88
															84.4
															42.2
0.0002 MIN GOLD PLATING (7.8μ INCHES GOLD PLATING)		450													140
															7-
															-6
															-5
0.00076 MIN GOLD PLATING (300μ INCHES GOLD PLATING)		700	7H	3.6	6.6		12	6.85	7.25	21.8	32	28.4	14.2	40	7-5177986-1
														160	
														6-	
														6-	
0.00076 MIN GOLD PLATING (300μ INCHES GOLD PLATING)		550													61.8
															88
															84.4
															42.2
0.00076 MIN GOLD PLATING (300μ INCHES GOLD PLATING)		800	6H	2.6	5.6		12	5.85	6.25	21.8	32	28.4	14.2	40	6-5177986-1
														200	
														5-	
														5-	
0.00076 MIN GOLD PLATING (300μ INCHES GOLD PLATING)		650													61.8
															88
															84.4
															42.2
0.00076 MIN GOLD PLATING (300μ INCHES GOLD PLATING)		900	5H	1.2	4.6	12	12	17	4.85	5.25	21.8	32	28.4	40	5-5177986-1
														160	
														6-	
														6-	
0.00076 MIN GOLD PLATING (300μ INCHES GOLD PLATING)		900	7H	3.6	6.6	12	17	6.85	7.25	37.8	56	52.4	26.2	80	8-5177986-3
														4-	
														5-	
														5-	
0.0002 MIN GOLD PLATING (7.8μ INCHES GOLD PLATING)		400													61.8
															88
															84.4
															42.2
0.0002 MIN GOLD PLATING (7.8μ INCHES GOLD PLATING)		600	8H	4.6	7.6		12	7.85	8.25	21.8	32	28.4	14.2	40	3-5177986-1
														200	
														3-	
														2-	
0.0002 MIN GOLD PLATING (7.8μ INCHES GOLD PLATING)		450													61.8
															88
															84.4
															42.2
0.0002 MIN GOLD PLATING (7.8μ INCHES GOLD PLATING)		700													53.8
															72
															68.4
															34.2
0.0002 MIN GOLD PLATING (7.8μ INCHES GOLD PLATING)		500	7H	3.6	6.6		12	6.85	7.25	21.8	32	28.4	14.2	40	2-5177986-1
														160	
														1-	
														1-	
0.0002 MIN GOLD PLATING (7.8μ INCHES GOLD PLATING)		550													61.8
															88
															84.4
															42.2
0.0002 MIN GOLD PLATING (7.8μ INCHES GOLD PLATING)		800	6H	2.6	5.6		12	5.85	6.25	21.8	32	28.4	14.2	40	1-5177986-1
														200	
														1-	
														1-	
0.0002 MIN GOLD PLATING (7.8μ INCHES GOLD PLATING)		650													61.8
															88
															84.4
															42.2
0.0002 MIN GOLD PLATING (7.8μ INCHES GOLD PLATING)		900	5H	1.2	4.6	12	12	17	4.85	5.25	21.8	32	28.4	40	5177986-1
														160	
														6-	
														6-	



WINDING THE COVER TAPE AROUND THE OUTER PERIPHERY IN A TURN.

STEEL COVER



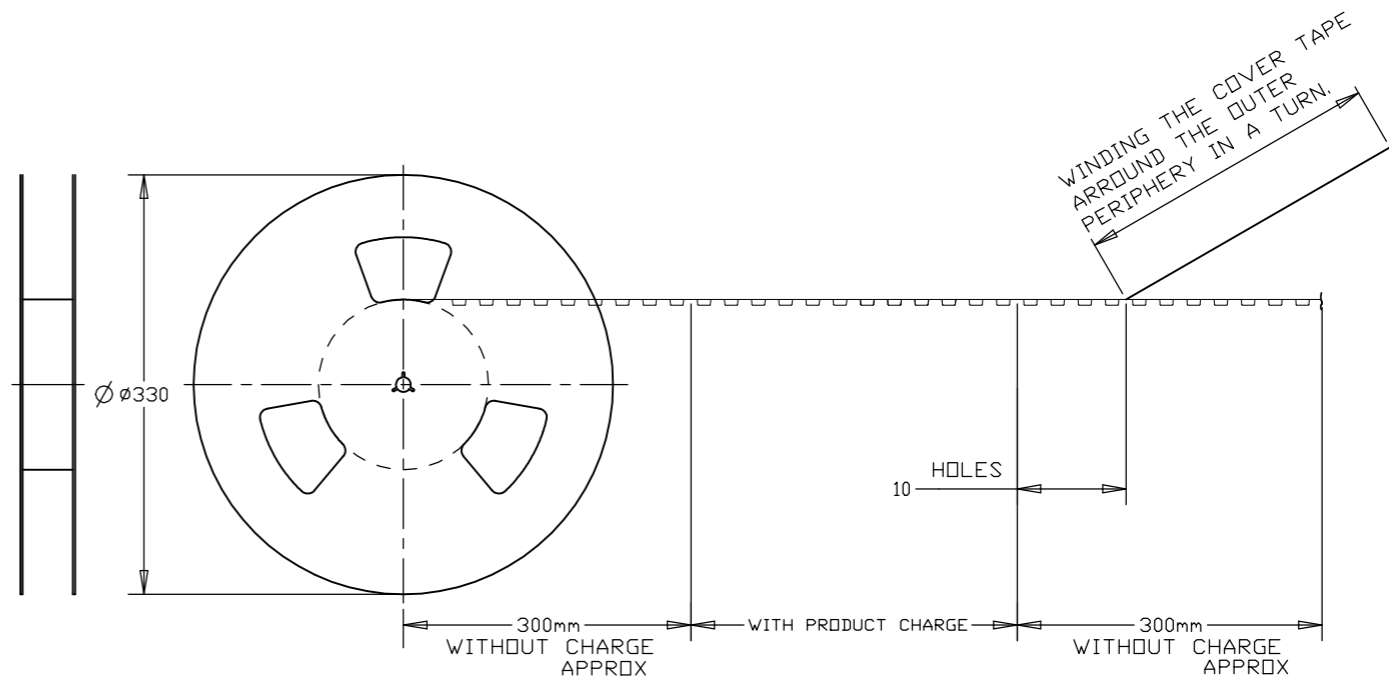
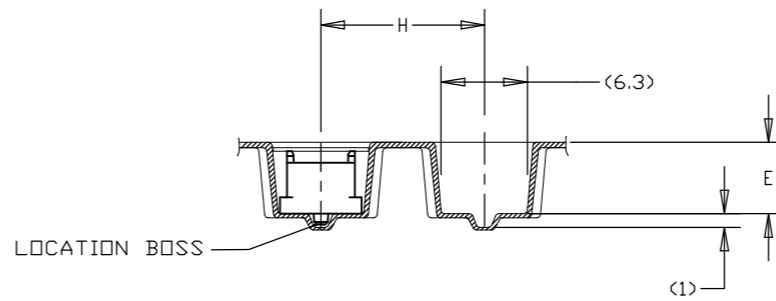
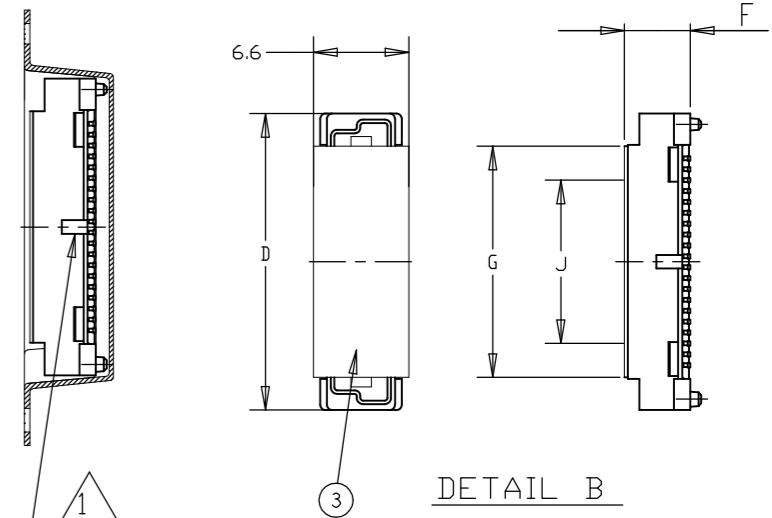
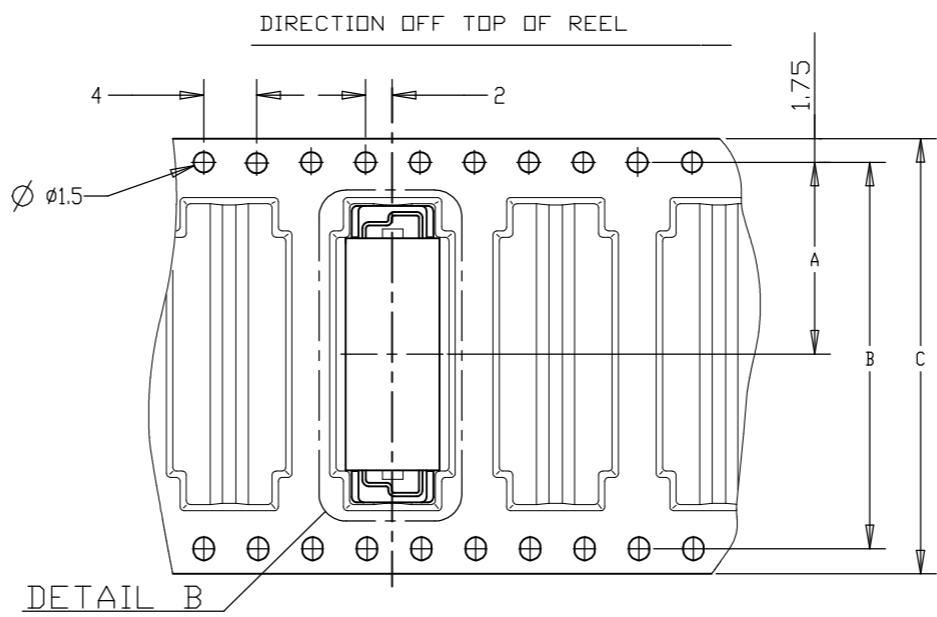
THIS DRAWING IS A CONTROLLED DOCUMENT.		DWN FLORENCE TAN 30AUG2004	TE TE Connectivity	APVD SF LEONG 30MAY2012
DIMENSIONS: mm		CHK ERIC TNG 30MAY2012		NAME
TOLERANCES UNLESS OTHERWISE SPECIFIED:		PRODUCT SPEC		
0 PLC ± -		APPLICATION SPEC		
1 PLC ± 0.2		SIZE		
2 PLC ± 0.15		CAGE CODE		
3 PLC ± 0.1		DRAWING NO		
4 PLC ± -		RESTRICTED TO		
ANGLES ± -		A2 00779 C=5177986		
MATERIAL FINISH		WEIGHT 0		
		CUSTOMER DRAWING		
		SCALE 1:1		
		SHEET 1 of 4		
		REV F4		

THIS DRAWING IS UNPUBLISHED. RELEASED FOR PUBLICATION
 © COPYRIGHT - TE Connectivity ALL RIGHTS RESERVED.

LOW HALOGEN

REVISIONS				
P	LTR	DESCRIPTION	DATE	APVD
-	-	SEE SHEET 1	-	-

Notes:
 6 0.0002 MIN GOLD PLATING
 (7.8u INCHES GOLD PLATING)



POLYIMIDE COVER

REMARKS	QTY	HEIGHT TYPE	Y	X	J	H	G	F	E	D	C	B	A	POS	SALEABLE PART NO.
															9-5177986-6

THIS DRAWING IS A CONTROLLED DOCUMENT.		DWN FLORENCE TAN 30AUG2004		
DIMENSIONS: mm		CHK ERIC TNG 30MAY2012		
TOLERANCES UNLESS OTHERWISE SPECIFIED:		APVD SF LEONG 30MAY2012	NAME	
0 PLC ± -		PRODUCT SPEC	PLUG ASSEMBLY, FH 0.8 ON TAPING (EMBOSS) 0.5 BOSS LENGTH	
1 PLC ± 0.2		APPLICATION SPEC	SIZE	RESTRICTED TO
2 PLC ± 0.15		WEIGHT	A2	
3 PLC ± 0.1		CUSTOMER DRAWING	CAGE CODE	
4 PLC ± -		SCALE	00779	
ANGLES ± -		SHEET	C=5177986	
FINISH		REV		
		2 of 4		
		F4		

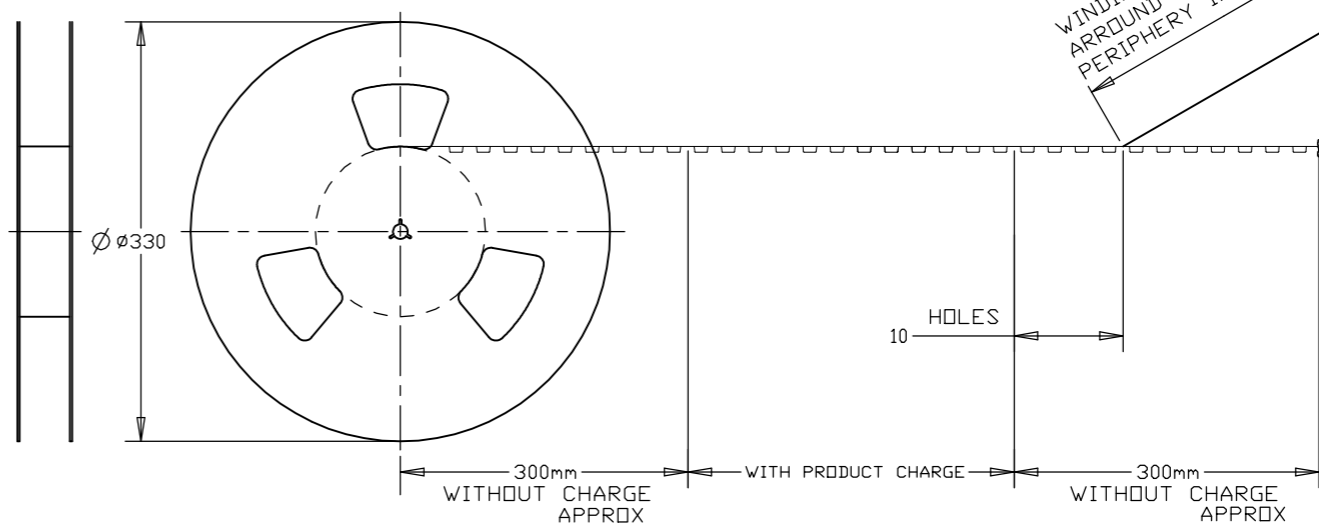
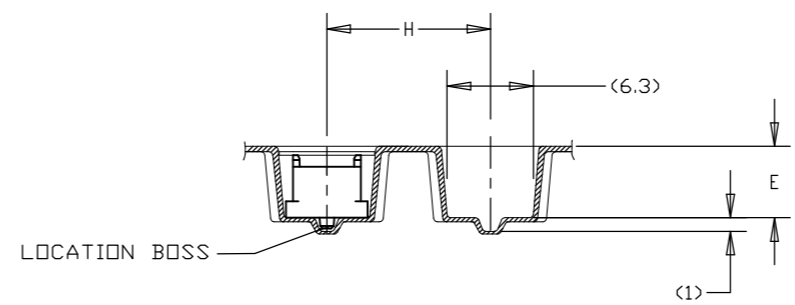
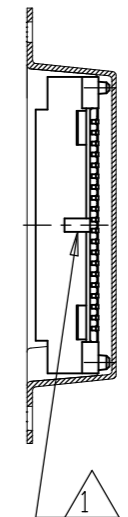
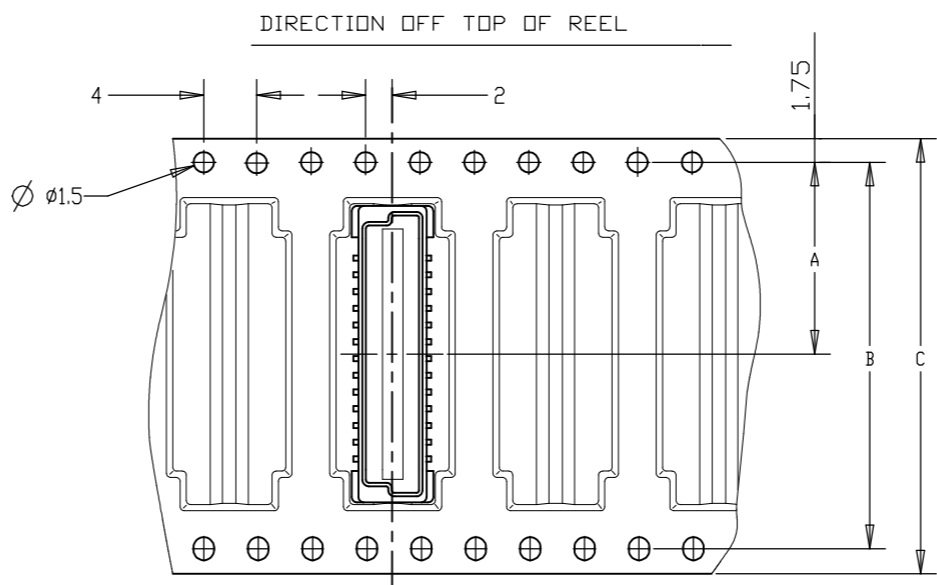
THIS DRAWING IS UNPUBLISHED. RELEASED FOR PUBLICATION
 © COPYRIGHT - TE Connectivity ALL RIGHTS RESERVED.

LOW HALOGEN

REVISIONS				
P	LTR	DESCRIPTION	DATE	APVD
-	-	SEE SHEET 1	-	-

Notes:

2 0.00038 MIN GOLD PLATING
 (15μ INCHES GOLD PLATING)



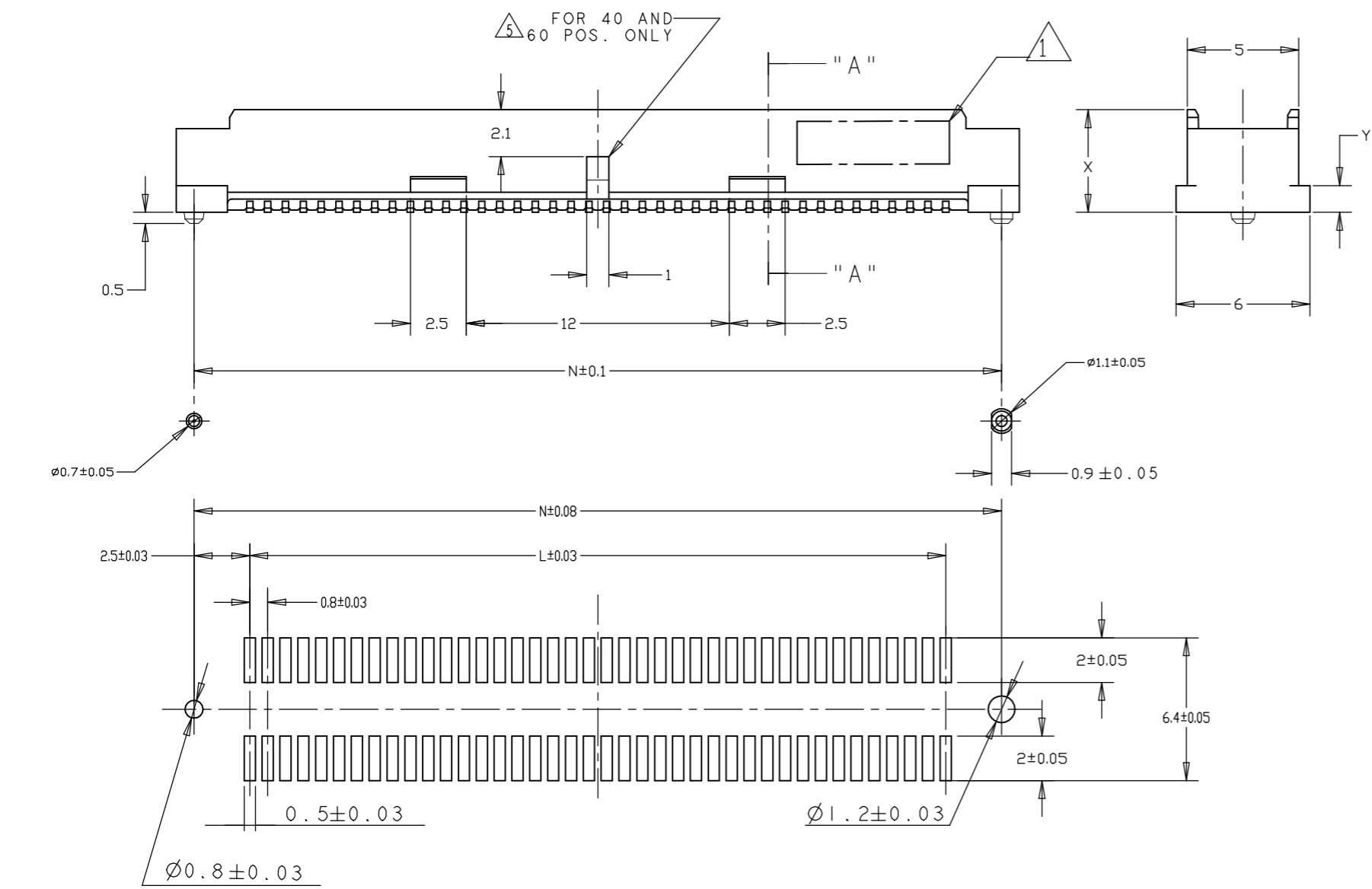
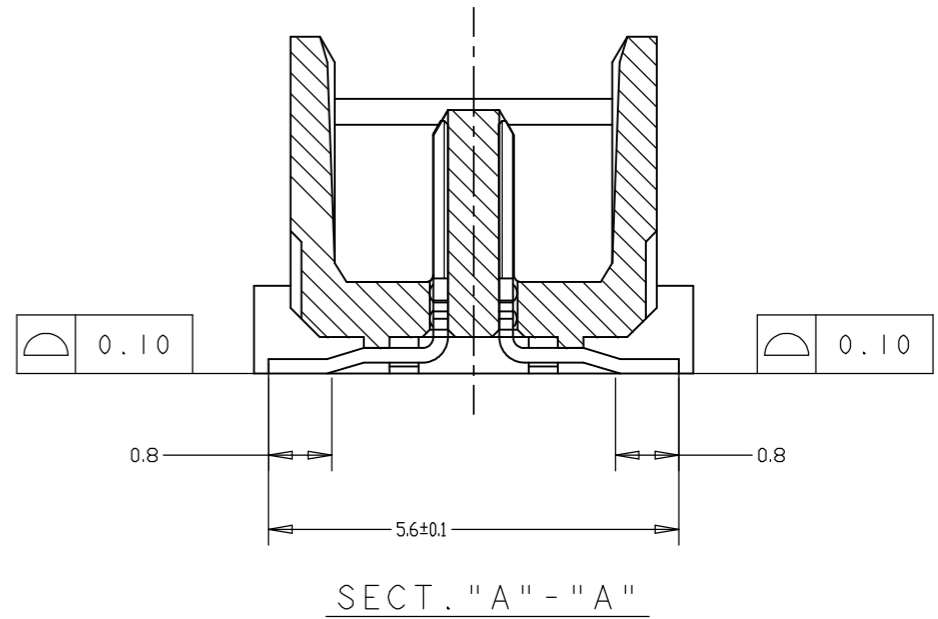
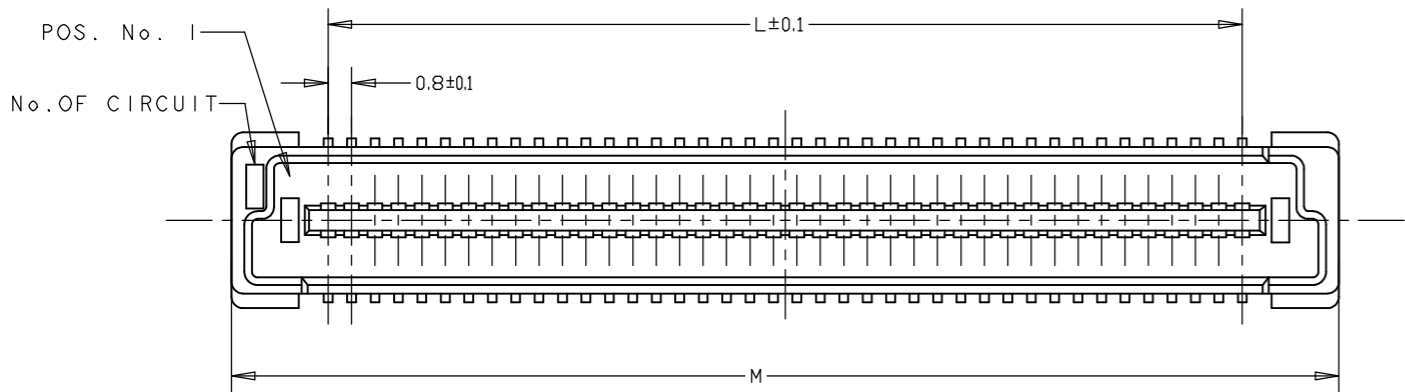
WINDING THE COVER TAPE
 AROUND THE OUTER
 PERIPHERY IN A TURN.

WITHOUT COVER

REMARKS	QTY	HEIGHT TYPE	Y	X	H	E	C	B	A	POS	SALEABLE PART NO.
	650	5H	1.2	4.6	16	5.25	88	84.4	42.2	160	8-5177986-8
	650	5H	1.2	4.6	16	5.25	72	68.4	34.2	120	8-5177986-5

THIS DRAWING IS A CONTROLLED DOCUMENT.		DWN 30AUG2004 FLORENCE TAN		
DIMENSIONS: mm		CHK 30MAY2012 ERIC TNG		
TOLERANCES UNLESS OTHERWISE SPECIFIED:		APVD 30MAY2012 SF LEONG	NAME	
0 PLC ± -		PRODUCT SPEC	PLUG ASSEMBLY, FH 0.8 ON TAPING (EMBOSS) 0.5 BOSS LENGTH	
1 PLC ± 0.2		APPLICATION SPEC	SIZE	RESTRICTED TO
2 PLC ± 0.15		WEIGHT 0	CAGE CODE	DRAWING NO
3 PLC ± 0.1		CUSTOMER DRAWING	A2 00779	C=5177986
4 PLC ± -		SCALE 1:1	SHEET 3 of 4	REV F4
ANGLES ± -				
FINISH -				

REVISIONS				
P	LTR	DESCRIPTION	DATE	APVD
-	-	SEE SHEET 1	-	-



RECOMMENDED P.C. BOARD LAYOUT

LOW HALOGEN

CONNECTOR ONLY

84.2	85.8	79.2	200
76.2	77.8	71.2	180
68.2	69.8	63.2	160
60.2	61.8	55.2	140
52.2	53.8	47.2	120
44.2	45.8	39.2	100
36.2	37.8	31.2	80
28.2	29.8	23.2	60
20.2	21.8	15.2	40
N	M	L	POS.

THIS DRAWING IS A CONTROLLED DOCUMENT.		DWN FLORENCE TAN 30AUG2004		
DIMENSIONS: mm		CHK ERIC TNG 30MAY2012		
TOLERANCES UNLESS OTHERWISE SPECIFIED:		APVD SF LEONG 30MAY2012	NAME	
0 PLC ± -		PRODUCT SPEC	PLUG ASSEMBLY, FH 0.8 ON TAPING (EMBOSS) 0.5 BOSS LENGTH	
1 PLC ± 0.2		APPLICATION SPEC	RESTRICTED TO	
2 PLC ± 0.15		WEIGHT	SIZE	CAGE CODE
3 PLC ± 0.1		0	A2	00779
4 PLC ± -		CUSTOMER DRAWING	DRAWING NO	
ANGLES ± -		SCALE	C=5177986	
FINISH		1:1	SHEET 4 of 4	
MATERIAL		REV		F4