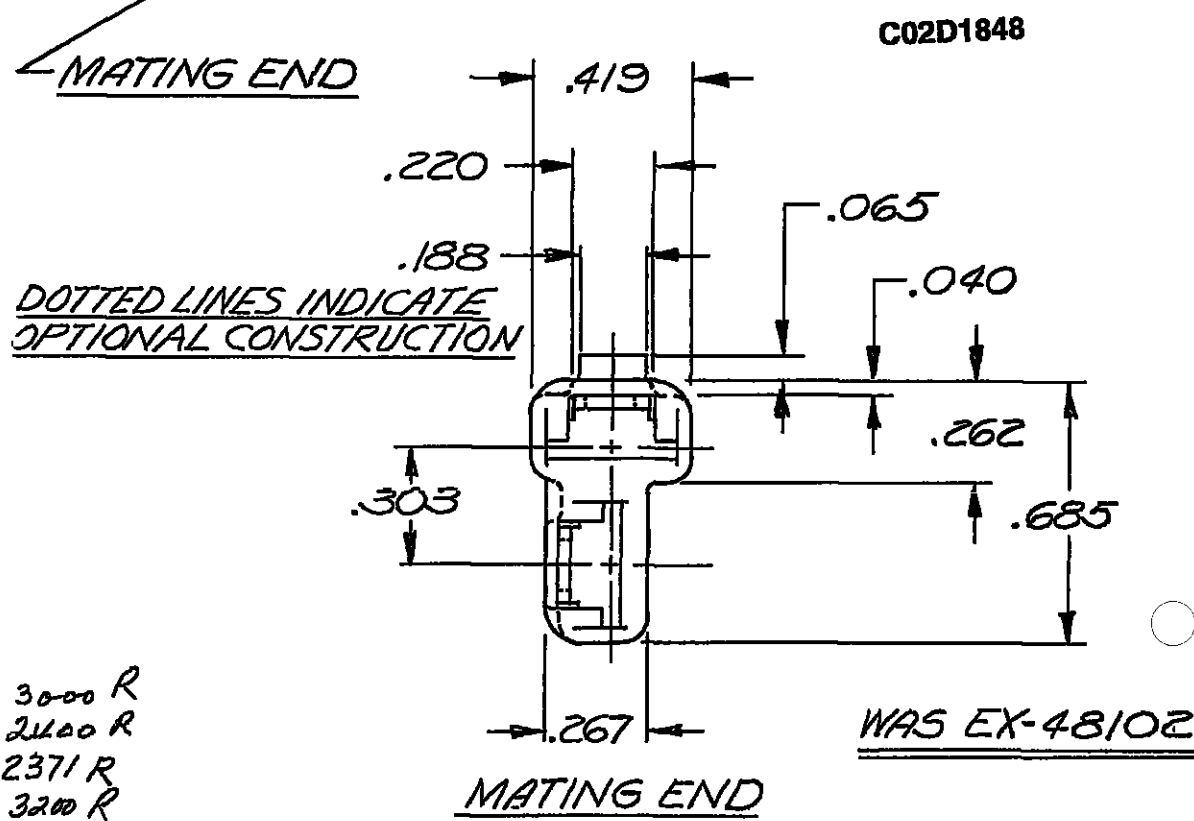
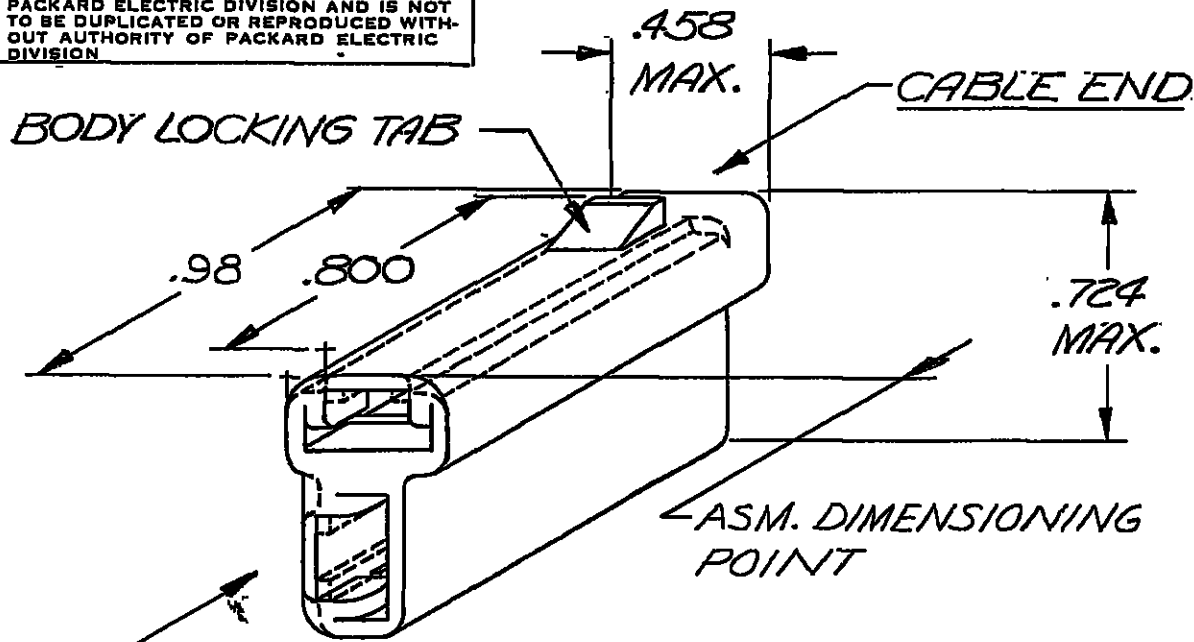


DO NOT SCALE

THIS DRAWING AND DESIGN HEREON CONSTITUTES A PROPRIETARY DESIGN OF PACKARD ELECTRIC DIVISION AND IS NOT TO BE DUPLICATED OR REPRODUCED WITHOUT AUTHORITY OF PACKARD ELECTRIC DIVISION

D



WAS EX-48102

NOTE—MATING CONN 297.3782-REF

PART NO.

6288181

DATE	SYM	REVISION RECORD	C/N NO.
6-19-68	00	NARROW CORE CONST.	31745
		MADE OPTIONAL &	
		DIMS. STANDARDIZED	
3-28-69	00	MAT'L SPEC. WAS	34722
		NYLON-COLOR-NATURAL	
9-20-73	-	ADDED 6901 CODE &	
		165 ROUTING	50905
20MY82	-	DETAIL WAS SHOWN ON	
		2989596-"C" SIZE DWG	80953
18AP06	05	MAT'L SPEC WAS R0071753	279103

CODE NO. 6900  
6901

TOLERANCE UNLESS OTHERWISE SPECIFIED  
3 PLC. ±.005  
DECIMAL  
2 PLC. ±.01  
FRACTIONAL ±  
ANGULAR ±

DWG. DATE 4-6-65 SCALE NONE DR. FERKO

ROUTING DEPT. OUTST. CK. Sent 4-8 APPR. Maras 7-9

REFERENCE QR 48676 12034010-"C" SIZE APPR. APPR.

MATERIAL SPEC. M3592024 PA66 HS IM CRM CODE NO.

NAME CONN BODY-'56 SERIES 2 FEMALE TERMINALS

PART NO. 6288181 SIZE A  
OUTLINE DWG

4400 R  
 4471-A  
 44-A  
 PACKARD ELECTRIC DIVISION  
 GENERAL MOTORS CORPORATION  
 WARREN, OHIO  
 1074K  
 99  
 304  
 PEBA  
 63R  
 74R  
 PEC-R  
 2274-R  
 320-R  
 330-R  
 552-R  
 350-R  
 374R 3 T REG-R, 2252R, 2274-R

# Mouser Electronics

Authorized Distributor

Click to View Pricing, Inventory, Delivery & Lifecycle Information:

[Aptiv:](#)

[06288181](#)