

Customer Information Sheet

DRAWING No.: M20-974XXXX

IF IN DOUBT - ASK



NOT TO SCALE

THIRD ANGLE PROJECTION

ALL DIMENSIONS IN mm

NOTES:

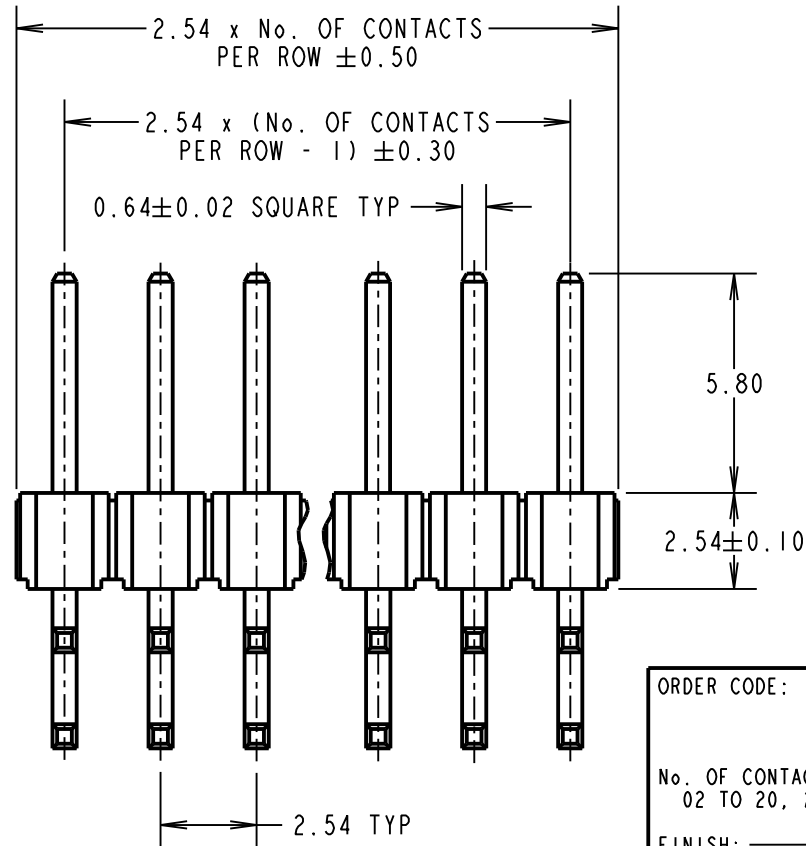
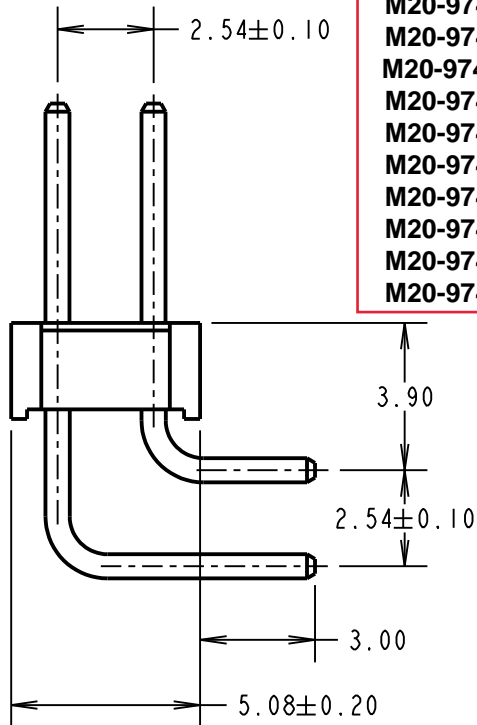
1. RECOMMENDED PCB MOUNTING HOLE SIZE = $\varnothing 1.02 \pm 0.05$ mm.
2. ALL TOLERANCES ARE ± 0.25 mm UNLESS OTHERWISE STATED.
3. FOR COMPLETE SPECIFICATION, SEE COMPONENT SPECIFICATION C001XX (LATEST ISSUE).

SPECIFICATION:

MATERIAL:
 MOULDING= PA6T UL94V-0, BLACK
 PINS = BRASS
FINISH:
 PINS (OVER NICKEL):
 42 = GOLD ON CONTACT AREA,
 100% TIN ON TAILS
 46 = 100% TIN
ELECTRICAL:
 CURRENT RATING = 3A MAX
 CONTACT RESISTANCE = $20m\Omega$ MAX
 INSULATION RESISTANCE = $1,000M\Omega$ MIN
 DIELECTRIC STRENGTH = 500V AC
MECHANICAL:
 DURABILITY = 300 OPERATIONS (GOLD),
 50 OPERATIONS (TIN)
ENVIRONMENTAL:
 TEMPERATURE RANGE = $-40^{\circ}C$ TO $+105^{\circ}C$
PACKING:
 BAG

Active products:

- M20-9740346
- M20-97404XX
- M20-97405XX
- M20-97406XX
- M20-9740746
- M20-9740846
- M20-97410XX
- M20-9741146
- M20-9741242
- M20-9741342
- M20-9741642
- M20-9741746
- M20-9742046
- M20-9743646



OBSOLETE

All other size/finish combinations not listed above
Last Time Buy = 14th June 2019

ORDER CODE:
M20-974XXXX
 No. OF CONTACTS PER ROW:
 02 TO 20, 25, 36, 40
 FINISH:
 42 = SELECTIVE GOLD + 100% TIN
 46 = 100% TIN

MGP	14	13.12.18	21677
NAME	ISS.	DATE	C/NOTE
APPROVED: MGP			
CHECKED: SB			
DRAWN: P. ALEXANDER			
CUSTOMER REF.:			
ASSEMBLY DRG:			



www.harwin.com
 technical@harwin.com

THIS DRAWING AND ANY INFORMATION OR DESCRIPTIVE MATTER SET OUT HEREON ARE CONFIDENTIAL AND COPYRIGHT PROPERTY OF THE HARWIN GROUP AND MUST NOT BE DISCLOSED, LOANED, COPIED OR USED FOR MANUFACTURING, TENDERING OR FOR ANY OTHER PURPOSE WITHOUT THEIR WRITTEN PERMISSION.

TOLERANCES
~~X = ± 1 mm~~
~~X.X = ± 0.50 mm~~
~~X.XX = ± 0.10 mm~~
~~X.XXX = ± 0.01 mm~~
 ANGLES = $\pm 5^{\circ}$
 UNLESS STATED

MATERIAL:
 SEE ABOVE
FINISH:
 SEE ABOVE
S/AREA: mm²

TITLE: 2.54mm PITCH DIL HORIZONTAL PC TAIL PIN HEADER ASSEMBLY
DRAWING NUMBER: M20-974XXXX
 SHT 2 OF 2