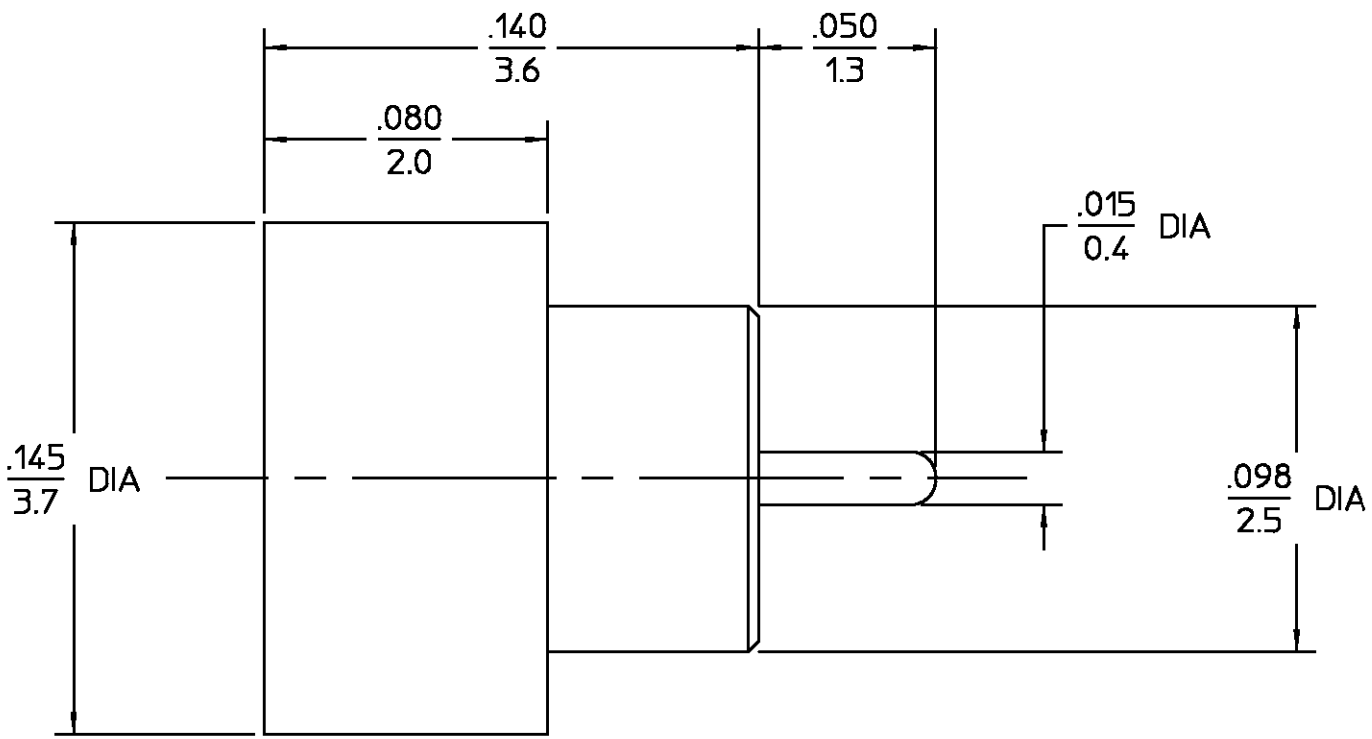
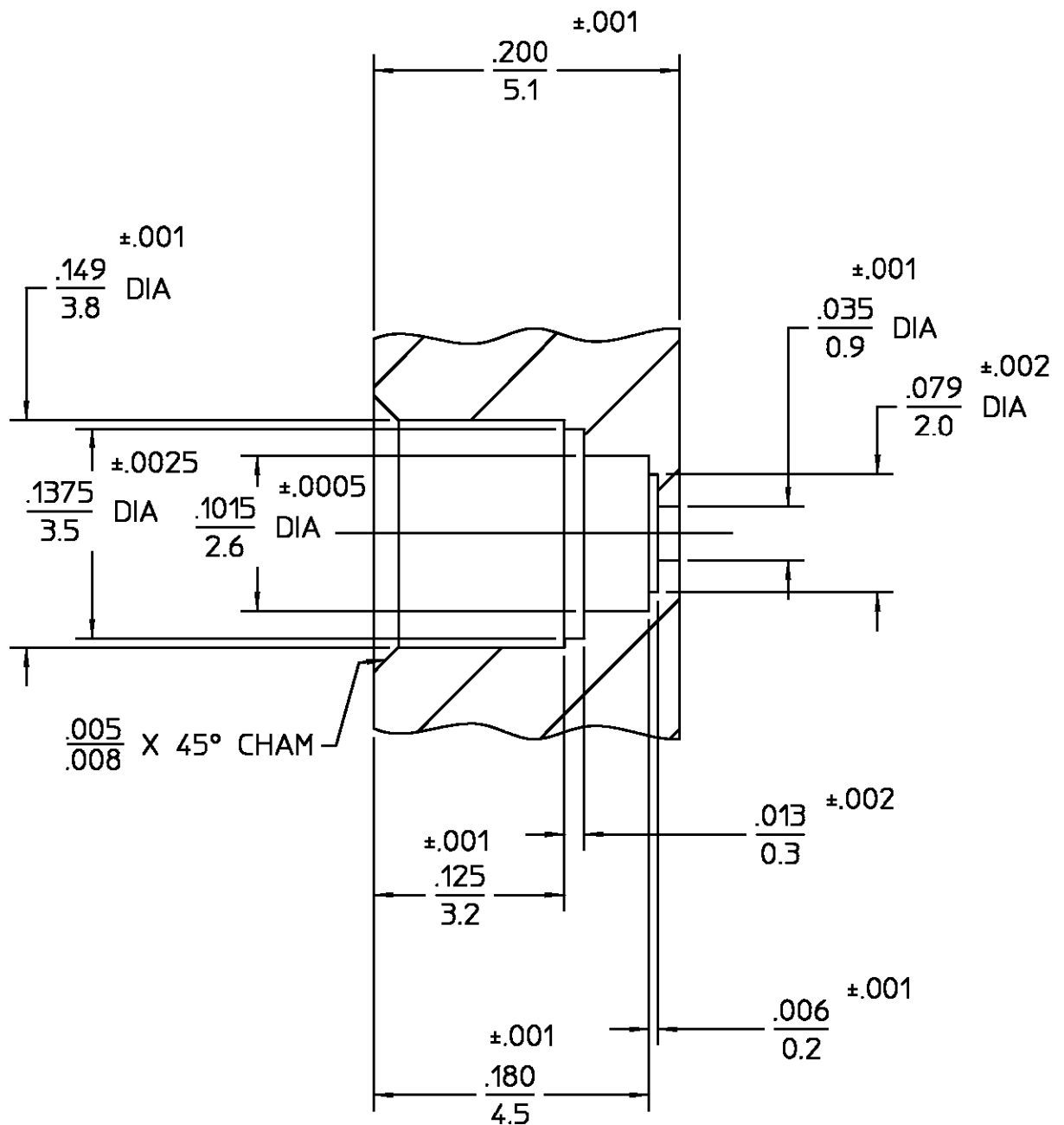


REVISIONS			
REV	DESCRIPTION	DATE	APPROVED
011	REVISED	BMH 2/24/97	<i>DCpm</i> 2/24/97



RECOMMENDED MOUNTING HOLE

.XXX = in
XX.X = mm

CONTACT EXT HOUSING	IRON NICKEL COBALT SEALING ALLOY (KOVAR) PER ASTM F15-78	GOLD PLATE PER MIL-G-45204
DIELECTRIC	CORNING GLASS 7070	N/A
COMPONENT	MATERIAL	FINISH
UNLESS OTHERWISE SPECIFIED DIMENSIONS ARE IN INCHES TOLERANCE ON FRAC. DEC. ANGLES = 1/64 = .005 = °		
DRAWN BY <i>RAC</i> DATE 1/30/95 CHECKED BY <i>RAC</i> APPROVED BY <i>RAC</i> 8/23/95		AMP Incorporated 140 Fourth Avenue Waltham, MA 02451-7599
USE ASSY PROCEDURE NO. A.P. N/A		TITLE OSMP SOLDER-IN SHROUD SMOOTH BORE
SIZE B	CODE IDENT NO. 26805	2998-5056-94
SCALE 20=1	REV 011	
		SHEET 1 OF 1

CUSTOMER DRAWING

AMP PART # 1056752-1
SHEET 1 OF 1 REV A

Mouser Electronics

Authorized Distributor

Click to View Pricing, Inventory, Delivery & Lifecycle Information:

[TE Connectivity:](#)

[1056752-1](#)