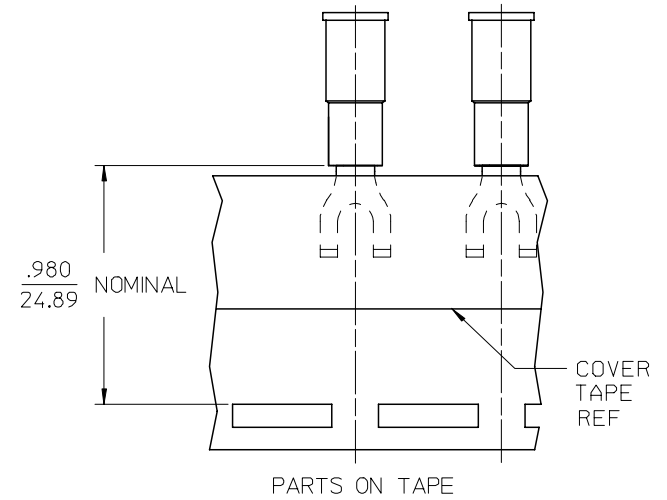
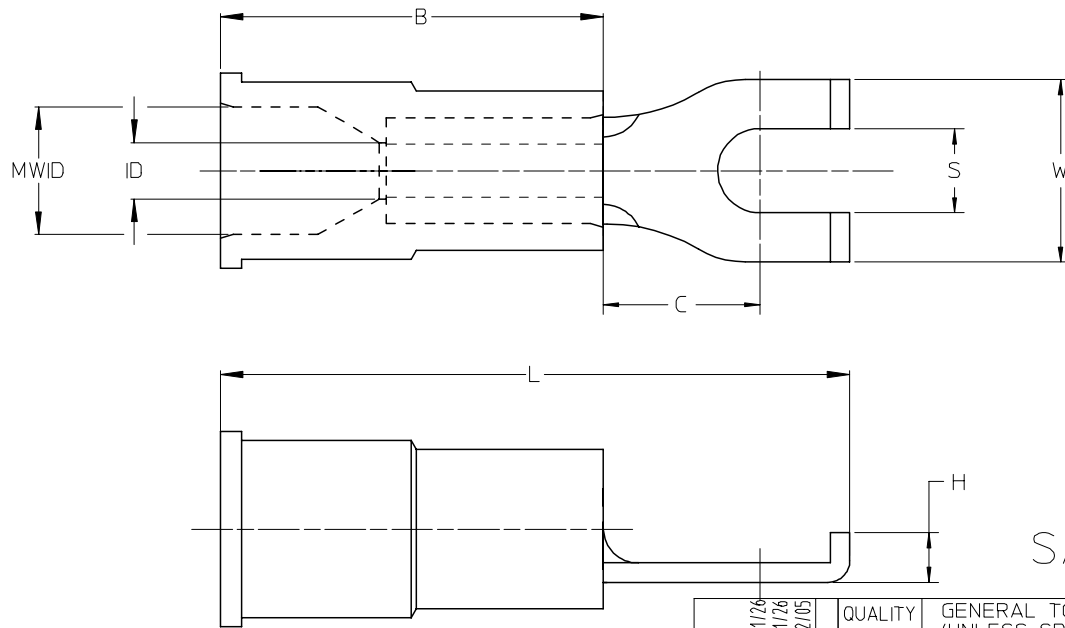


LOOSE PIECE		TAPE MOUNTED		DIMENSIONS									FINISH
MATERIAL NUMBER	ENGINEERING NUMBER	MATERIAL NUMBER	ENGINEERING NUMBER	STUD SIZE	S ±.005	W MAX	C MIN	ID MIN	MWID	B REF	L MAX	H REF	INSULATION COLOR
191190004	A-215-06X	191190005	A-215-06XT	6	.146/3.71	.301/7.6	.207/5.3	.054/1.37	.145/3.68	.450/11.43	.836/21.23	.08/2.0	RED
191190007	A-215-08X	191190008	A-215-08XT	8	.173/4.39	.301/7.6	.207/5.3	.054/1.37	.145/3.68	.450/11.43	.836/21.23	.08/2.0	RED
191190010	A-215-10X	191190051	A-215-10XT	10	.198/5.03	.301/7.6	.207/5.3	.054/1.37	.145/3.68	.450/11.43	.836/21.23	.08/2.0	RED
191190080	B-216-06X	191190027	B-216-06XT	6	.146/3.71	.301/7.6	.209/5.3	.081/2.06	.175/4.45	.450/11.43	.850/21.59	.08/2.0	BLUE
191190029	B-216-08X	191190030	B-216-08XT	8	.173/4.39	.301/7.6	.209/5.3	.081/2.06	.175/4.45	.450/11.43	.850/21.59	.08/2.0	BLUE
191190032	B-216-10X	191190033	B-216-10XT	10	.198/5.03	.301/7.6	.209/5.3	.081/2.06	.175/4.45	.450/11.43	.850/21.59	.08/2.0	BLUE



SALES DRAWING

- NOTES:
1. MATERIAL: COPPER .031/.79 THICK
  2. PLATING: ELECTRO-TIN
  3. MWID = MAXIMUM WIRE INSULATION DIAMETER
  4. PART IS RoHS COMPLIANT

STANDARDIZE EC NO: ETC2008-0012 2007/11/26 DRWR:RSTONE CHKD:JMACNEIL APPR:JMACNEIL 2007/12/05	QUALITY SYMBOLS	GENERAL TOLERANCES (UNLESS SPECIFIED)	DIMENSION STYLE	SCALE	DESIGN UNITS	THIRD ANGLE PROJECTION
	▽=0	mm INCH	IN/MM	---	INCH	
	▽=0	4 PLACES ± --- ± ---	DRAWN BY DATE			TITLE
		3 PLACES ± --- ± .005	K0 1984/10/25			FLANGED SPADE TERMINAL, INSULKRIMP -200 SERIES, LONG BARREL
	2 PLACES ± 0.13 ± .01	CHECKED BY DATE				
	1 PLACE ± 0.25 ± ---	GZ 1984/11/09				
	ANGULAR ±1/2°	APPROVED BY DATE				
					MATERIAL NO. DOCUMENT NO.	
					SEE CHART SD-19119-003	
						SHEET NO. 1 OF 1

# Mouser Electronics

Authorized Distributor

Click to View Pricing, Inventory, Delivery & Lifecycle Information:

[Molex:](#)

[19119-0029](#)