

NOTES:

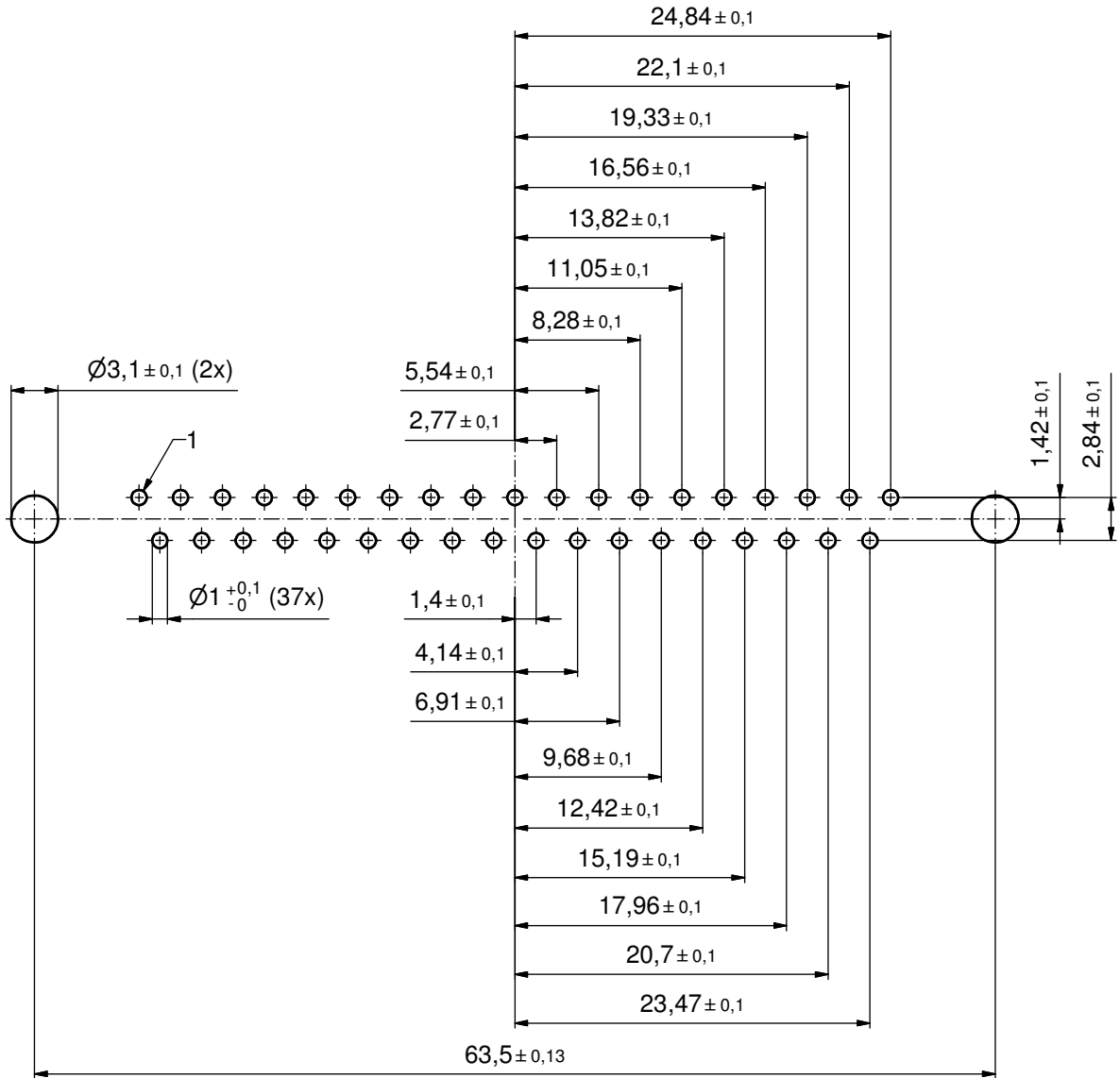
1. METALSHELLS: STEEL; min. 315µm TIN over 40-80µm NICKEL
2. INSULATORS: PBT GF UL 94 V-0, BLACK
3. CONTACTS: COPPER ALLOY; PLATING (SEE PART NO.):
 - PLEASE ADD A for GOLD FLASH over NICKEL (PREFERRED TYPE)
 - PLEASE ADD B for 20µm HARD GOLD over min. 50µm NICKEL
 - PLEASE ADD C for 30µm HARD GOLD over min. 50µm NICKEL
 - PLEASE ADD J for 30µm HARD GOLD over min. 50µm NICKEL
4. THREADED SPACER CLIPS:
 - COPPER ALLOY; min. 200µm TIN over 80µm NICKEL
 - PCB-HOLE: $\varnothing 3.1 \pm 0,1$; PCB THICKNESS 1,6mm
5. COLLARS: COPPER ALLOY; min. 200µm TIN over 80µm NICKEL
6. P.C.B. HOLE DRILLINGS ON SHEET 2
7. MAXIMUM TORQUE VALUE FOR THREAD: 6 in.LB
8. CONNECTOR IS PART MARKED: **163□16189X CONEC ABC** (see note 3)

Directive 2002/95/EC RoHS compliant

THIS DRAWING MAY NOT BE COPIED OR REPRODUCED IN ANY WAY, AND MAY NOT BE PASSED ON TO A THIRD PARTY WITHOUT WRITTEN PERMISSION. OWNERSHIP AND COPYRIGHT OF CONEC GmbH DO NOT ALTER CAD DRAWING BY HAND				tolerance	dim. in mm	scale:	2:1 (5:1)		
				date		name	material:	see notes	
				drawn	08.01.13	Henneboel	title: D-SUB MALE 37pos. SOLDER PIN STRAIGHT with threaded spacer clip		
				appd.	09.01.13	Fischer			
				norm					
			d-old	16K1A1045/16K1A1201/16K1A681		dwg no:			
			4 x b	A4593	08.01.2013	K.H.			
			a	Original			DIN-A3 sh: 1/2		
			rev.	description	date	name	part no: (b) 163□16189X (see note 3)		



P.C.B. HOLE DRILLINGS
(P.C.B. TOP SIDE)



THIS DRAWING MAY NOT BE COPIED OR REPRODUCED IN ANY WAY, AND MAY NOT BE PASSED ON TO A THIRD PARTY WITHOUT WRITTEN PERMISSION. OWNERSHIP AND COPYRIGHT OF CONEC GmbH DO NOT ALTER CAD DRAWING BY HAND				tolerance		scale: 3:1
				dim. in mm		material: see sheet 1
	drawn	08.01.13	Henneboel	title:		
	appd.	09.01.13	Fischer	P.C.B. HOLE DRILLINGS		
	norm			D-SUB MALE 37pos. SOLDER PIN STRAIGHT		
	d-old			with threaded spacer clip		
	rev.	a	Original	dwg no:		DIN-A3
	description			16K1A3166		sh: 2/2
	date			part no: SEE SHEET 1		
	name					

Mouser Electronics

Authorized Distributor

Click to View Pricing, Inventory, Delivery & Lifecycle Information:

[CONEC:](#)

[163A16189X](#)