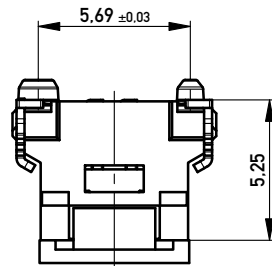
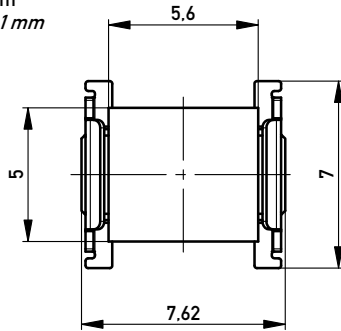


Anforderungsstufe 1  
Performance Level 1

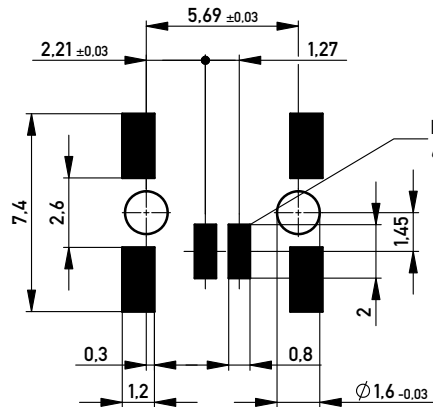
Kontaktbereich vergoldet  
Mating Area gold plating

Anschlussbereich verzinkt 4-6 µm  
Terminal Area 4-6 µm tin plating

Koplanarität der Anschlüsse ≤ 0,1 mm  
Coplanarity Area of Termination ≤ 0,1 mm

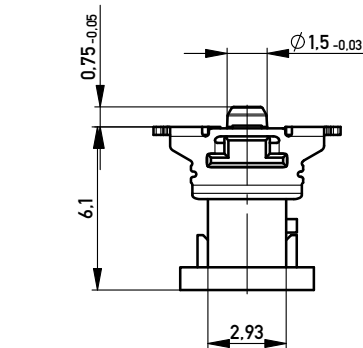
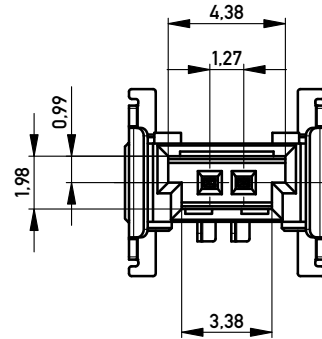
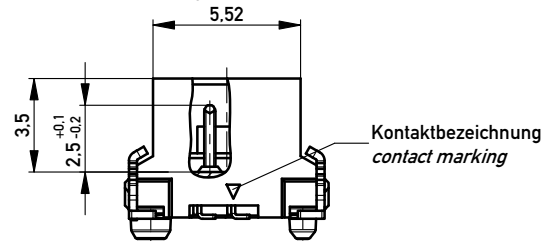


Leiterplatten-Layout für SMT  
PCB-Layout for SMT

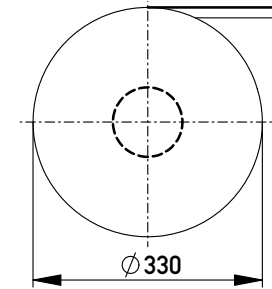


Kontaktbezeichnung bei Pin 1  
contact marking at pin 1

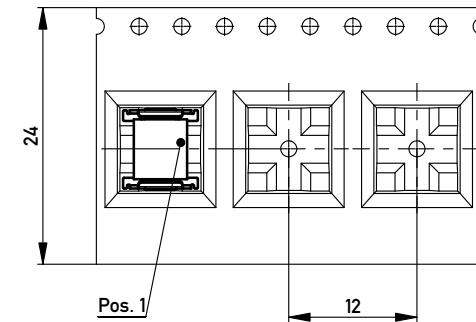
ohne Ansaughaube - without hood



Verpackt in Gurtverpackung  
Tape on Reel Packaging  
Verpackungseinheit: 650 Stück  
Packaging unit: 650 pcs



Abspulrichtung - Reel off Direction



Information: vergrößerte Löt pads - enlarged solder pads  All rights reserved. Only for Information. To ensure that this is the latest version of this drawing, please contact one of the ERNI companies before using.	Tolerances  All Dimensions in mm	Scale	5:1
		Designation <b>M 1.27 SRC P, 2-polig BA1</b>	
www.ERNI.com		<b>284695</b>	
d	03.04.2013		
Index	Date		
Class		SRCP	
		I A3	

Copyright by ERNI GmbH. Proprietary notice pursuant to ISO 9006 to be observed.

# Mouser Electronics

Authorized Distributor

Click to View Pricing, Inventory, Delivery & Lifecycle Information:

[ERNI Electronics:](#)

[234457](#) [214016](#) [214019](#) [214018](#) [284695](#) [839163](#) [839036](#)