

**MATERIAL :**

Coupling Nut: Polyamid UL94 V-0  
 Inset: Polyamid UL94 V0  
 Backshell body : Polyamid UL94 V-0  
 Backshell nut: Polyamid UL94 V-0  
 Shell : Polyamid UL94 V-0  
 Coupling spring : Stainless steel  
 O'seal : Nitril

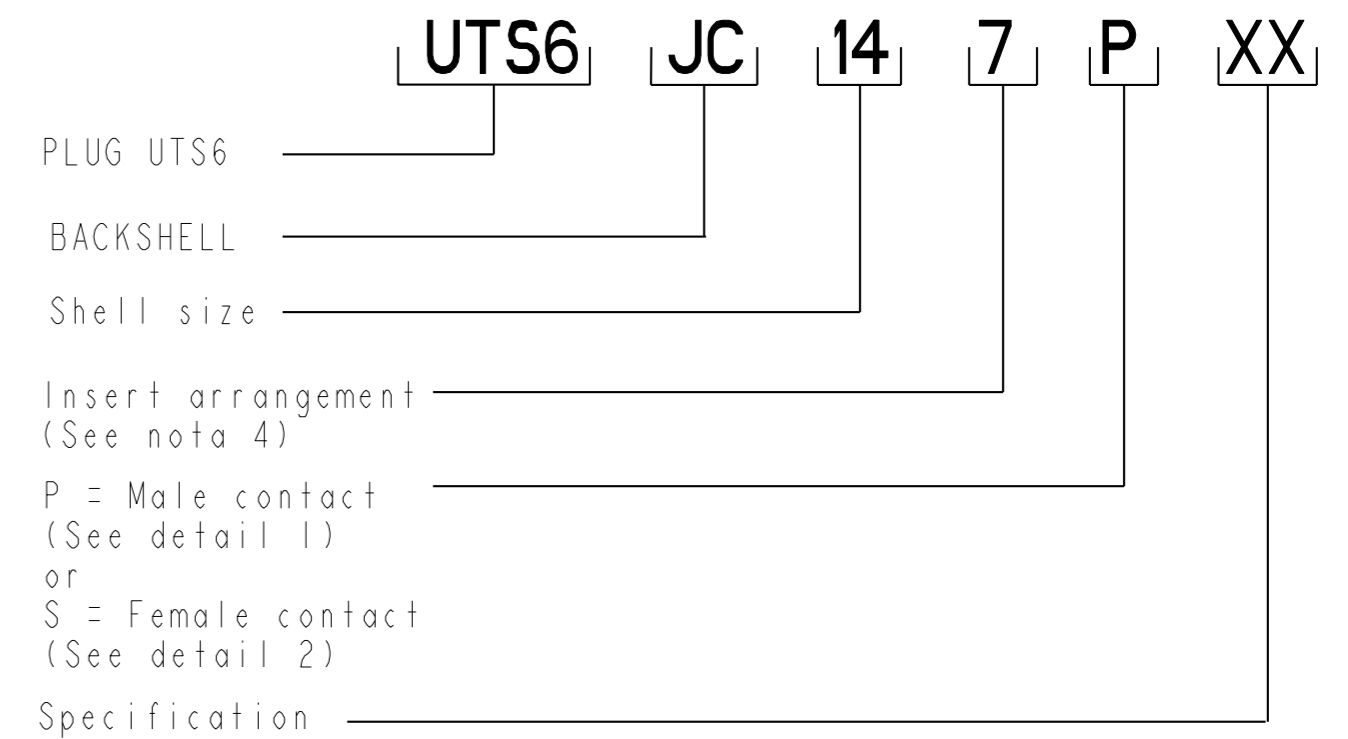
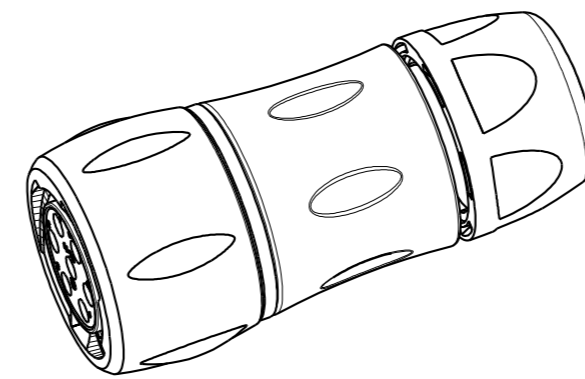
**PERFORMANCE CHARACTERISTICS :**

Operating temperature: -40°C up to 105°C  
 Insulation resistance: 5000 MΩmin  
 Test potential: 2000 Vrms for #16 layout and 1500Vrms for #20 layout  
 Corrosion salt spray: 500 hours  
 Durability: 250 matings and unmatings  
 Sealing in mated conditions:  
 - IP68 1 bar during 1 week : immersion under 10 m of water. (IEC 60529)  
 - IP69K : exposure to high pressure water of cleaning equipment (DIN 40050)

**NOTES :**

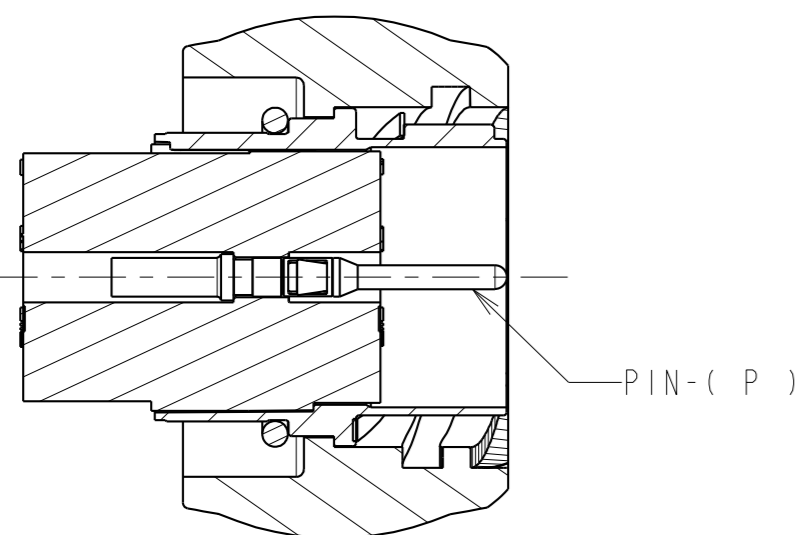
- 1- Plug, backshell and the reducing seal are delivered as a kit. The backshell already includes the standard seal.
- 2- Contact to be ordered separately: refer to TRIM TRIO catalog
- 3- Colored ring to be ordered separately refer to customer drawing C006-UTSI-A
- 4- Insert arrangements: refer to : C008-UTSI-A (Female insulator)  
 UTO-CONTACT-L-C02 (Female insulator)  
 UTOW-CONTACT-L-C02 (Female insulator)  
 C007-UTSI-A (Male insulator)  
 UTO-CONTACT-L-C01 (Male insulator)  
 UTOW-CONTACT-L-C01 (Male insulator)

SHELL SIZE	Ø A MAX	B MINI	CAPACITY C		HEXAGON D	E MAX	
			STANDARD	REDUCING SEAL		MALE	FEMALE
10	26.7	63.2	2.5 / 8	1.5 / 5	18.5	21	29
12	30.15	66.7	5 / 12	3 / 9	24	25	33
14	35.1	71.5	7 / 14	5 / 12	26	29	36
18	42	81.3	9 / 18	7 / 16	33	37	45

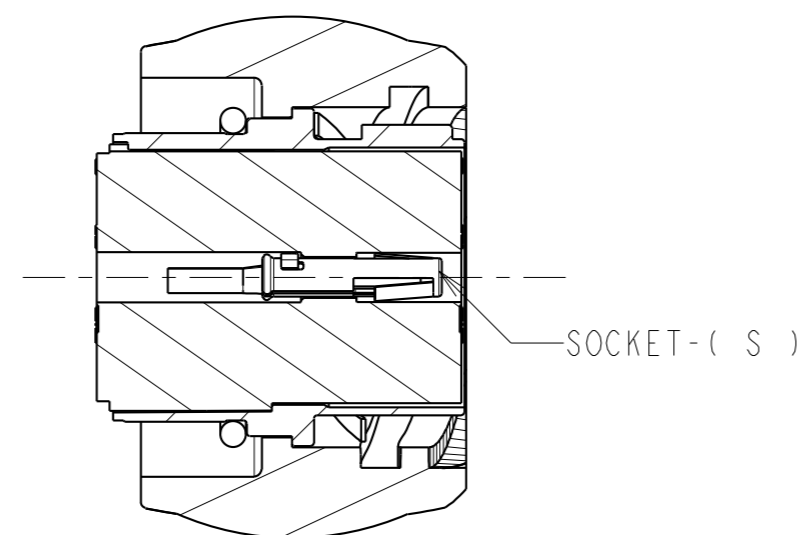


CUSTOMER DRAWING

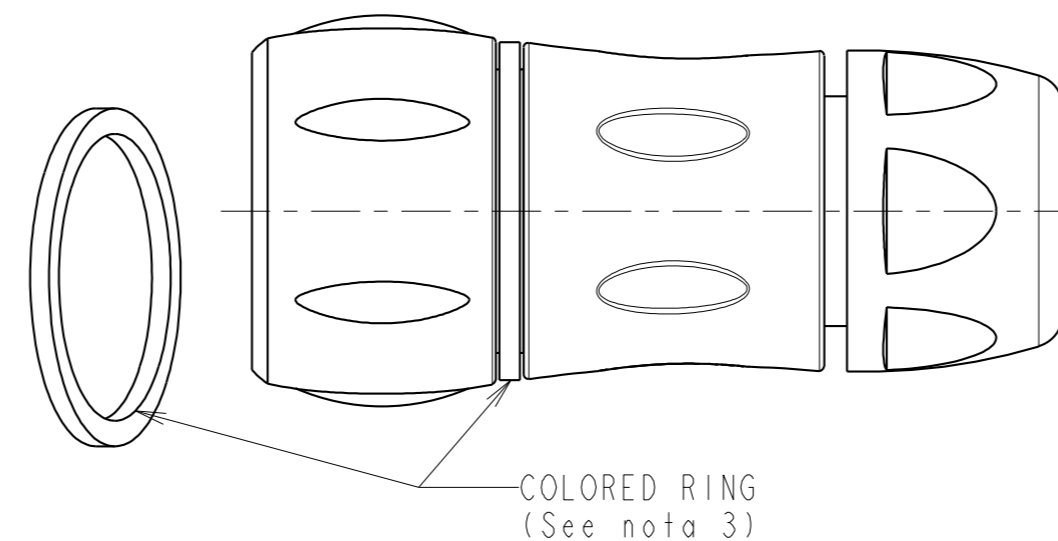
**MALE CONNECTOR**  
(Detail 1)



**FEMALE CONNECTOR**  
(Detail 2)



**OPTIONAL PART**



B	23/01/08	Add plug size 18	--
ISS	DATE	Latest modification - by:	SORIN V. MOD N°
Designed by:		SORIN V. Date: 07/04/06	Type of drawing: Customer
Checked by:		SEE DISTRIBUTION LIST	Date: SEE DISTRIBUTION LIST
TITLE		CABLE PLUG + BACKSHELL UTS CONNECTOR	
Scale	General angular	MATERIAL --	
3/1	Tolerances: ± --	--	
	General linear	General machining surface texture Ra 3.2	Geometrical Tolerances See NF E 04-552
	Tolerances ±0.2		PROJECT UTS1
		SOURIAU Route Nationale 23 72470 CHAMPAGNE Tel. (33)02.43.54.35.00	
This document is the property of SOURIAU It must not be reproduced or communicated without permission			
FORMAT	SOURIAU DRG N°		SHEET
A2	C002-UTSI-A		

NOT EXPORT CONTROLLED

# Mouser Electronics

Authorized Distributor

Click to View Pricing, Inventory, Delivery & Lifecycle Information:

## Souriau:

[UTS6JC1823S](#) [UTS6JC1832P](#) [UTS6JC142G1S](#) [UTS6JC183G1P](#) [UTS6JC103P](#) [UTS6JC103S](#) [UTS6JC1419S](#)  
[UTS6JC1419P](#) [UTS6JC1210P](#) [UTS6JC147S](#) [UTS6JC1210S](#) [UTS6JC147P](#) [UTS6JC1412S](#) [UTS6JC1412P](#)  
[UTS6JC106P](#) [UTS6JC124P](#) [UTS6JC128P](#) [UTS6JC128S](#) [UTS6JC106S](#) [UTS6JC104P](#) [UTS6JC104S](#) [UTS6JC124S](#)  
[UTS6JC142G1P](#) [UTS6JC102W2S](#) [UTS6JC1823P](#) [UTS6JC1832S](#) [UTS6JC103W3S](#) [UTS6JC183G1S](#)  
[UTS6JC102W2P](#) [UTS6JC103W3P](#) [UTS6JC148S](#) [UTS6JC148P](#)