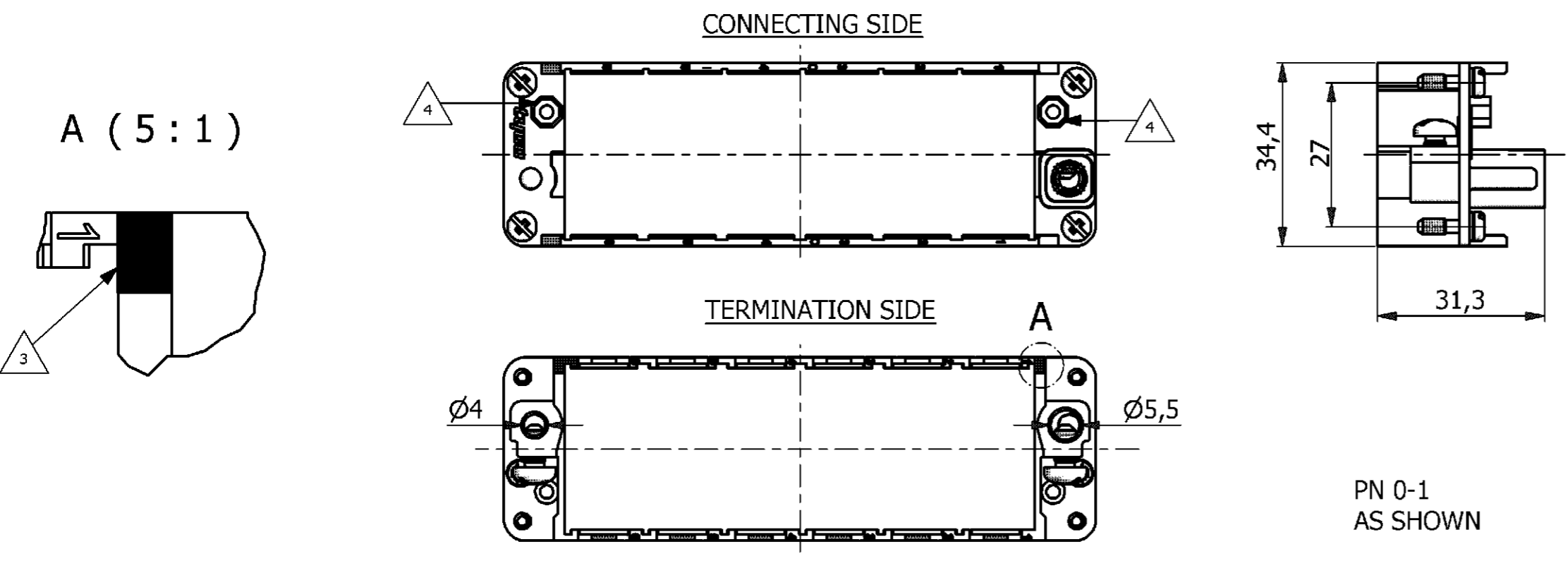
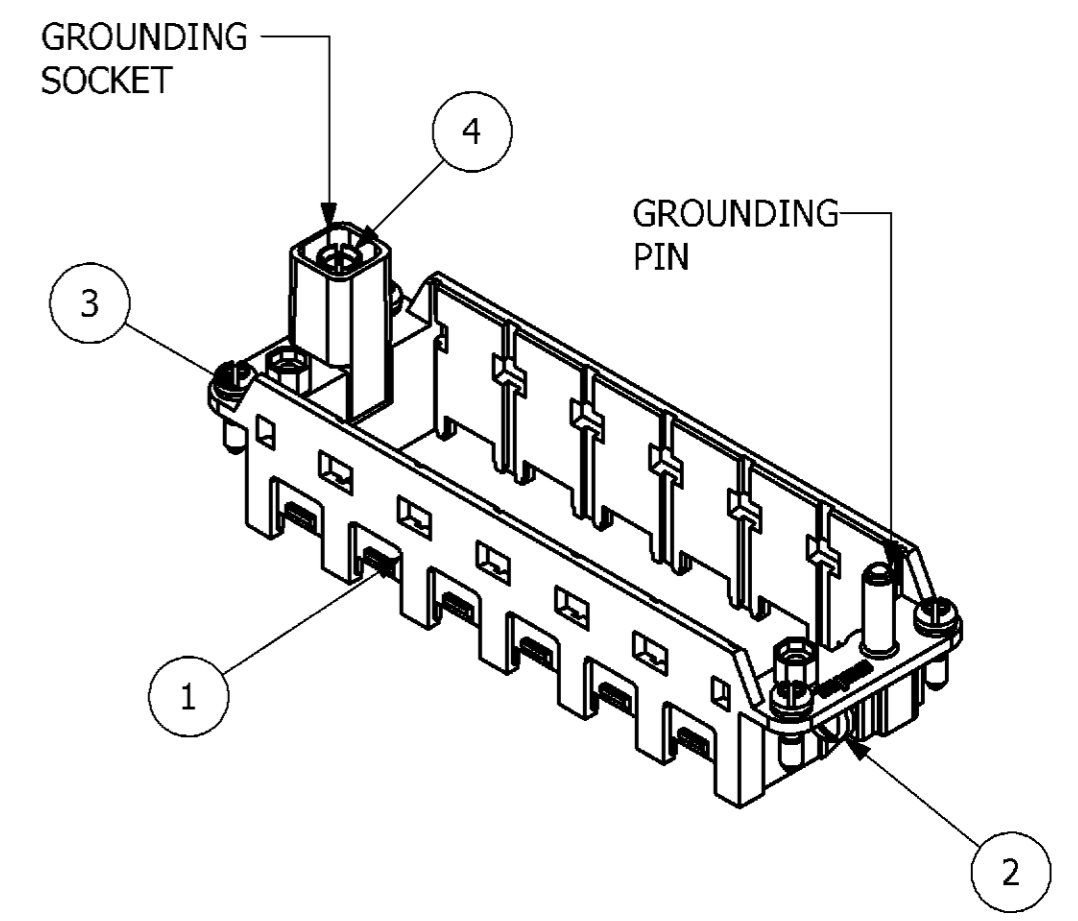
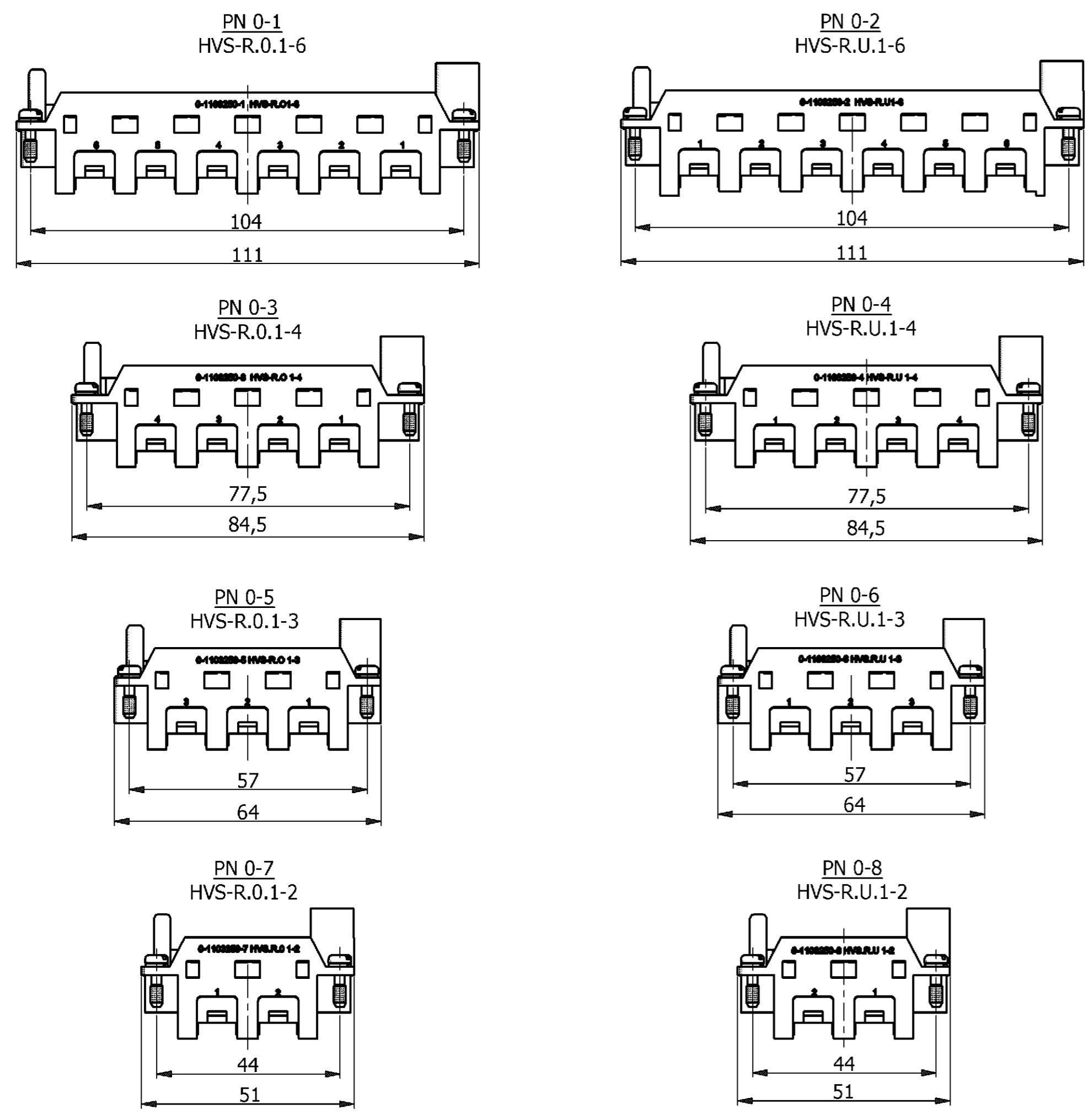


LOC		DIST		REVISIONS ÄNDERUNGEN			
AI	-	P	LTR	DESCRIPTION BESCHREIBUNG	DATE	DWN	APVD
PROJEKT NR. EGGMN04410	B1			DRAWING REWORKED ECR-012713	30.05.2007	GW	BR



- ### NOTES
- MODUL INSERTS: SERIES HVS SEE CATALOG PN: 889745
  - SUITABLE HOOD SIZE 3 TO 8: SERIES HB; HD; EMV; HF AND HIP CATALOG PN: 889745
  - MARKING OF POLARIZATION ACCORDING TO MARKINGS OF MODULE INSERTS
  - POSITION FOR CODING SET PN: 530341-1
  - PACKAGING: 10 SETS IN A CARTON, PRE MOUNTED



QTY.	DESCRIPTION	MATERIAL	SURFACE	COLOR	NOTE	ITEM
1	TORSION SPRING	STAINL. STEEL	---	---	DIA 6.6X0.5 - 2.5 WDG.	4
4	FIXING SCREW	STEEL	NICKEL PLATED	BLUE	M3X10,5	3
2	PAN HEAD SCREW	STEEL	NICKEL PLATED	---	M4*8	2
1	FRAME	ZINC	NICKEL PLATED	---	---	1

DIMENSIONS:		TOLERANCES UNLESS OTHERWISE SPECIFIED:		DWN		CHK		APVD		NAME		DRAWING NO.		RESTRICTED TO	
DIMENSIONEN:		ALLGEMEINTOLERANZEN:		SCHNEIDER		H.BRAUN		T.SCHNURPFEL		ASSY MODULE FRAME		1103250		NUR FÜR	
mm		n. ISO 8015 - mH-E n. ISO 2768 - # n. DIN 16901- #		16.02.2006		17.02.2006		17.02.2006		SERIES HVS, SIZE 1-4		1103250		NUR FÜR	
MATERIAL		FINISH / OBERFLÄCHE / FARBE		WEIGHT / GEWICHT		SCALE / MASSSTAB		SHEET / BLATT		CUSTOMER DRAWING / KUNDENZEICHNUNG		1103250		1 OF 1	
				0,001 KG		1:1		1				1103250		1	
														REV. B1	

# Mouser Electronics

Authorized Distributor

Click to View Pricing, Inventory, Delivery & Lifecycle Information:

[TE Connectivity:](#)

[1103250-4](#)