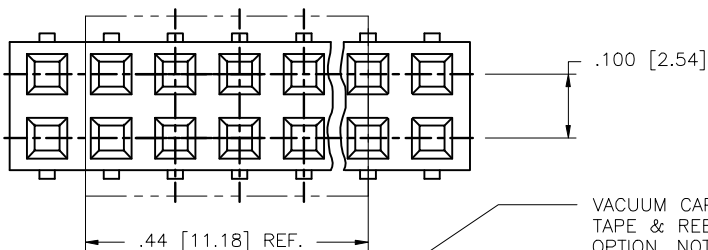
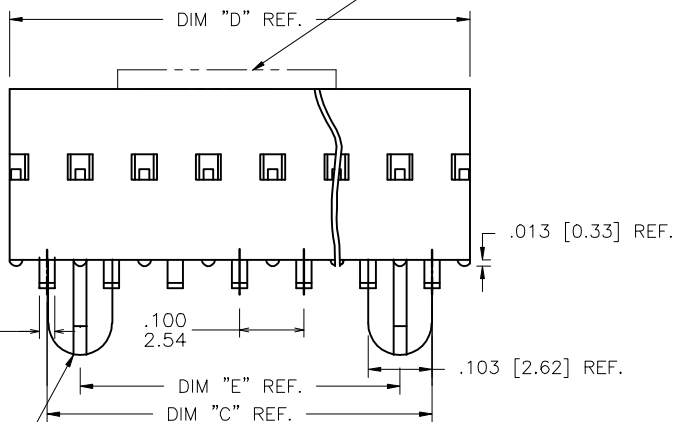


PRODUCT NO.  
SEE TABLE

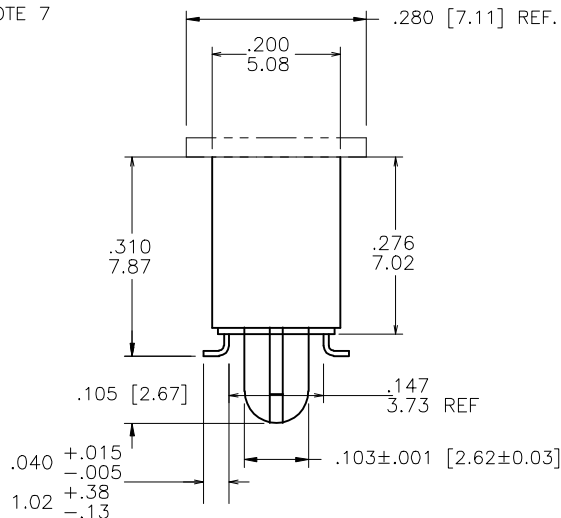
68622 - XXX 2 - LF  
 LEAD FREE OPTION  
 PACKAGING OPTION NOTE8. OMIT IF NOT REQUIRED.  
 HOUSING WITH SMALL ROUND PEGS. OMIT IF NOT REQUIRED.  
 SEE CONFIGURATION PAGE 3  
 NO. OF POSITIONS PER ROW  
 PLATING CODE  
 BASE PART NUMBER



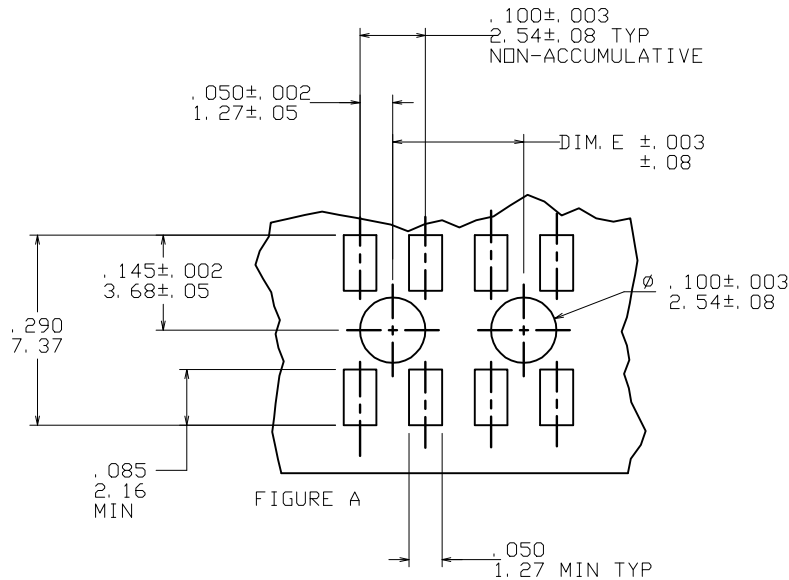
VACUUM CAP FOR TAPE & REEL PACKAGING OPTION. NOTE 7



SEE PEG OPTION



mat'l. code SEE NOTES 1,3 & 7				surface ISO 1302	tolerance ISO 406 ISO 1101	projection ISO 1462	product family DUBOX
ltr	ecn no	dr	date	tolerances unless otherwise specified		INCH/MM	title SMT DOUBLE ROW LATCHED VCC ASSEMBLY
P	V03-0309	HTB	4/28/03	angles	.XX±.01/XX±0.3		
R	V05-0463	DPU	06/28/05	linear	.XXX±.06/XX±0.13	scale 1:1	sheet 1 of 5 size 68622 A3
S	M06-0237	MN	06/19/06	0'±2'	.XXX±.0020/XXX±0.051		type Product Customer Drawing
T	M06-0433	AGS	10/31/06	dr	J. SHREINER	12/18/90	
U	M07-0203	AGS	05/02/07	engr	M. HAHN	12/18/90	
V	M09-0032	MHT	02/25/09	chr	M. HAHN	12/18/90	
W	M09-0057	MHT	3/25/09	appd	M. HAHN	12/18/90	
sheet	revision	W	W	W	W	W	
index	sheet	1	2	3	4	5	



STANDARD PCB RECOMMENDED

6. TAPE AND REEL PACKAGING FOR 24mm WIDE AND BELOW HAVE PILOT HOLES ON ONE SIDE OF TAPE ONLY. SIZES ABOVE 24mm HAVE PILOT HOLES ON BOTH SIDES OF TAPE.
7. VACUUM PICK-UP CAP MATERIAL: L.C.P. FLAME RETARDANT PER UL 94V-0.  
COLOR: BLACK
8. ADD SUFFIX "P" TO PART DASH NUMBER FOR TAPE AND REEL PACKAGING.  
EXAMPLE: 68622-XXXX
9. MAXIMUM LENGTH OF CONNECTOR FOR TAPE AND REEL PACKAGING IS 2.50 INCHES LONG/63.5 MM.
10. TAPE & REEL PACKAGING 72mm WIDE TAPE WITH 16mm POCKET PITCH.
11. TAPE & REEL PACKAGING 88mm WIDE TAPE WITH 12mm POCKET PITCH.
12. FCI, FCI FINAL PART NUMBER AND DATE CODE TO BE MARKED ON TUBE LABEL.
13. ADD LF SUFFIX AT THE END OF PART NUMBER FOR LEAD FREE OPTION.
14. THIS PRODUCT MEETS EUROPEAN UNION DIRECTIVES AND OTHER COUNTRY REGULATION AS DESCRIBED IN GS-22-008.
15. PLATING OPTIONS:  
MAY BE EITHER GOLD OR GXT PLATED AT MANUFACTURER'S OPTION.

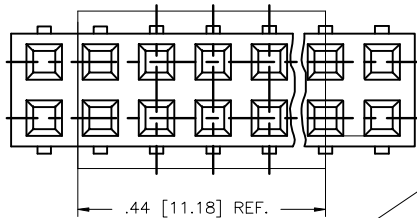
NOTES:

1. MATERIAL TERMINAL: PHOSPHOR BRONZE, EXTRA HARD.
2. RECOMMENDED APPLICATION DATA:
  - A. RECOMMENDED SOLDER PAD PATTERN IS SHOWN IN FIGURE A.
  - B. ALL MATING PINS TO BE .025/.64 SQUARE ON TRUE CENTER OF GIVEN TERMINAL SPACING WITHIN .015/.38 DIA.
  - C. SUGGESTED MATING PIN LENGTH .210 ±.020/5.33 ±.51.
3. MATERIAL HOUSING: G.F. POLYESTER, COLOR: BLACK FLAME RETARDANT PER UL 94 -V0  
THIS PART WILL WITHSTAND EXPOSURES TO 260°C PEAK TEMPERATURE FOR 20 SECONDS IN WAVE SOLDER, INFRA-RED OR VAPOR PHASE SOLDER PROCESS.
4. PRESTAMPED POST PLATED TERMINALS.
5. TAPE AND REEL PACKAGING PER GES-14-334.

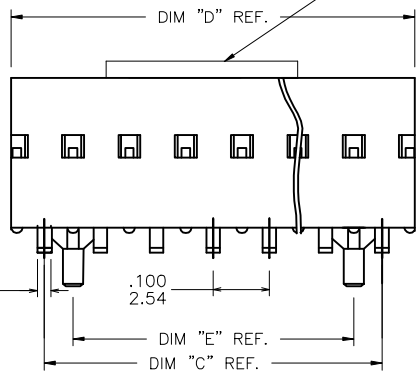
mat'l. code SEE NOTES 1,3 & 7		surface ISO 1302	tolerance ISO 406 ISO 1101	projection 	product family DUBOX
ltr	ecn no	dr	date	tolerances unless otherwise specified	title SMT DOUBLE ROW LATCHED VCC ASSEMBLY
w				angles linear XX±.01/XX±0.3 XXX±.006/XXX±0.13 O'±2'	INCH/MM scale 1:1
				dr J. SHREINER 12/18/90	dwg no 68622
				engr M. HAHN 12/18/90	sheet 2 of 5 size A3
				chr M. HAHN 12/18/90	type Product Customer Drawing
				appd M. HAHN 12/18/90	
sheet	revision				
index	sheet				

PRODUCT NO NOTE 13	PLATING CONTACT AREA	PLATING SOLDER TAIL	MATERIAL REF.
68622-2XX	15u"/.38u Au MIN OVER 50u"/1.27u Ni MIN SEE NOTE 15	100u"/160u" Sn 2.54u/4.06u	NOTE 3 & 4
68622-3XX	30u"/.76u Au MIN OVER 50u"/1.27u Ni MIN SEE NOTE 15	100u"/160u" Sn 2.54u/4.06u	NOTE 3 & 4
68622-6XX	30u"/.76u Au MIN OVER 50u"/1.27u Ni MIN SEE NOTE 15	100u"/160u" Sn 2.54u/4.06u	NOTE 3 & 4

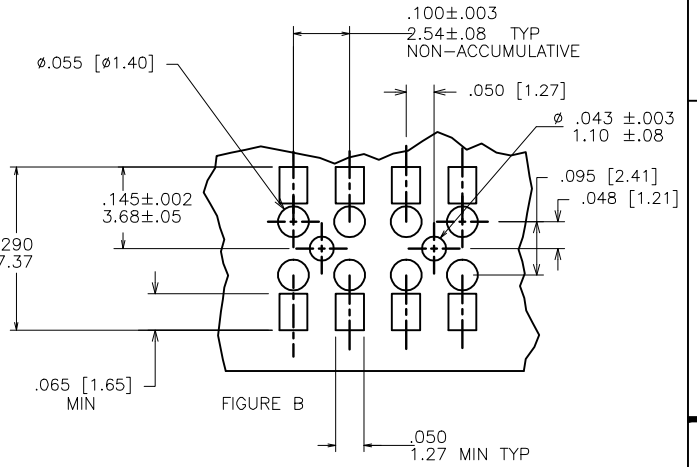
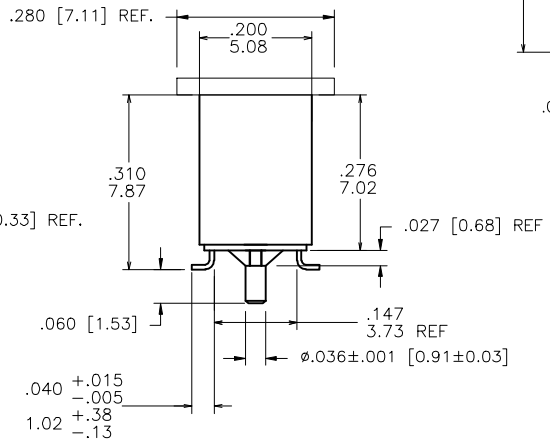
NOTE 13  
NOTE 13  
NOTE 13



VACUUM CAP FOR  
TAPE & REEL PACKAGING  
OPTION. NOTE 7



SMALL ROUND PEGS



SMALL ROUND PEGS  
PCB RECOMMENDED



Copyright FCI

mat'l. code SEE NOTES 1,3 & 7		surface ISO 1302	tolerance ISO 406 ISO 1101	projection INCH/MM	product family DUBOX
ltr	ecn no	dr	date	tolerances unless otherwise specified	title SMT DOUBLE ROW LATCHED VCC ASSEMBLY
w				angles linear 0°±2'	scale 1:1
dr	J. SHREINER		12/18/90		sheet 3 of 5 size
engr	M. HAHN		12/18/90		68622
chr	M. HAHN		12/18/90		A3
appd	M. HAHN		12/18/90		type Product Customer Drawing
sheet index	revision sheet				

PRODUCT NO. NOTE 13	NO. OF POSITION	C DIM	D DIM	E DIM	TAPE & REEL PACKAGING	LF OPTIONS
68622-Y04	2 X 4	. 300/7. 62	. 417/10. 59	. 200/ 5. 08	NO	NOTE 13
-Y05	2 X 5	. 400/10. 16	. 517/13. 13	. 300/ 7. 62	NO	
-Y06	2 X 6	. 500/12. 70	. 617/15. 67	. 400/10. 16	NO	
-Y07	2 X 7	. 600/15. 24	. 717/18. 21	. 500/12. 70	NO	
-Y08	2 X 8	. 700/17. 78	. 817/20. 75	. 600/15. 24	NO	
-Y09	2 X 9	. 800/20. 32	. 917/23. 29	. 700/17. 78	NO	
-Y10	2 X 10	. 900/22. 86	1. 017/25. 83	. 800/20. 32	NO	
-Y11	2 X 11	1. 000/25. 40	1. 117/28. 37	. 900/22. 86	NO	
-Y12	2 X 12	1. 100/27. 94	1. 217/30. 91	1. 000/25. 40	NO	
-Y13	2 X 13	1. 200/30. 48	1. 317/33. 45	1. 100/27. 94	NO	
-Y14	2 X 14	1. 300/33. 02	1. 417/35. 99	1. 200/30. 48	NO	
-Y15	2 X 15	1. 400/35. 56	1. 517/38. 53	1. 300/33. 02	NO	
-Y16	2 X 16	1. 500/38. 10	1. 617/41. 07	1. 400/35. 56	NO	
-Y17	2 X 17	1. 600/40. 64	1. 717/43. 61	1. 500/38. 10	NO	
-Y18	2 X 18	1. 700/43. 18	1. 817/46. 15	1. 600/40. 64	NO	
-Y19	2 X 19	1. 800/45. 72	1. 917/48. 69	1. 700/43. 18	NO	
-Y20	2 X 20	1. 900/48. 26	2. 017/51. 23	1. 800/45. 72	NO	
-Y21	2 X 21	2. 000/50. 80	2. 117/53. 77	1. 900/48. 26	NO	
-Y22	2 X 22	2. 100/53. 34	2. 217/56. 31	2. 000/50. 80	NO	
-Y23	2 X 23	2. 200/55. 88	2. 317/58. 85	2. 100/53. 34	NO	
-Y24	2 X 24	2. 300/58. 42	2. 417/61. 39	2. 200/55. 88	NO	
68622-Y25	2 X 25	2. 400/60. 96	2. 517/63. 93	2. 300/58. 42	NO	

NOTE 13



FCconnect.com

Copyright FCJ

mat'l. code SEE NOTES 1,3 & 7		surface ISO 1302	tolerance ISO 406 ISO 1101	projection 	product family DUBOX
ltr	ecn no	dr	date	tolerances unless otherwise specified	title SMT DOUBLE ROW LATCHED VCC ASSEMBLY
w				linear XX±.01/XX±0.3 XXX±.006/XXX±0.13 O'±.2'	INCH/MM scale 1:1
				linear XXX±.0020/XXX±0.051	scale 1:1
		dr	J. SHREINER	12/18/90	dwg no 68622
		engr	M. HAHN	12/18/90	sheet 4 of 5 size A3
		chr	M. HAHN	12/18/90	
		appd	M. HAHN	12/18/90	type Product Customer Drawing
sheet	revision				
index	sheet				

PRODUCT NO. NOTE 13	NO. OF POSITION	C DIM	D DIM	E DIM	TAPE & REEL PACKAGING	LF OPTIONS
68622-Y26	2 X 26	2.500/63.50	2.617/66.47	2.400/60.96	NO	NOTE 13
-Y27	2 X 27	2.600/66.04	2.717/69.01	2.500/63.50	NO	
-Y28	2 X 28	2.700/68.58	2.817/71.55	2.600/66.04	NO	
-Y29	2 X 29	2.800/71.12	2.917/74.09	2.700/68.58	NO	
-Y30	2 X 30	2.900/73.66	3.017/76.63	2.800/71.12	NO	
-Y31	2 X 31	3.000/76.20	3.117/79.17	2.900/73.66	NO	
-Y32	2 X 32	3.100/78.74	3.217/81.71	3.000/76.20	NO	
-Y33	2 X 33	3.200/81.28	3.317/84.25	3.100/78.74	NO	
-Y34	2 X 34	3.300/83.82	3.417/86.79	3.200/81.28	NO	
-Y35	2 X 35	3.400/86.36	3.517/89.33	3.300/83.82	NO	
-Y36	2 X 36	3.500/88.90	3.617/91.87	3.400/86.36	NO	
-Y37	2 X 37	3.600/91.44	3.717/94.41	3.500/88.90	NO	
-Y38	2 X 38	3.700/93.98	3.817/96.95	3.600/91.44	NO	
-Y39	2 X 39	3.800/96.52	3.917/99.49	3.700/93.98	NO	
-Y40	2 X 40	3.900/99.06	4.017/102.03	3.800/96.52	NO	
-Y41	2 X 41	4.000/101.60	4.117/104.57	3.900/99.06	NO	
-Y42	2 X 42	4.100/104.14	4.217/107.11	4.000/101.60	NO	
-Y43	2 X 43	4.200/106.68	4.317/109.65	4.100/104.14	NO	
-Y44	2 X 44	4.300/109.22	4.417/112.19	4.200/106.68	NO	
-Y45	2 X 45	4.400/111.76	4.517/114.73	4.300/109.22	NO	
-Y46	2 X 46	4.500/114.30	4.617/117.27	4.400/111.76	NO	
-Y47	2 X 47	4.600/116.84	4.717/119.81	4.500/114.30	NO	
-Y48	2 X 48	4.700/119.38	4.817/122.35	4.600/116.84	NO	
-Y49	2 X 49	4.800/121.92	4.917/124.89	4.700/119.38	NO	
68622-Y50	2 X 50	4.900/124.46	5.017/127.43	4.800/121.92	NO	
68622-Y25P	2 X 25	2.400/60.96	2.517/63.93	2.300/58.42	YES	

NOTES 7&11



FCJconnect.com

Copyright FCJ

mat'l. code SEE NOTES 1,3 & 7		surface ISO 1302	tolerance ISO 406 ISO 1101	projection 	product family DUBOX
ltr	ecn no	dr	date	tolerances unless otherwise specified	title SMT DOUBLE ROW LATCHED VCC ASSEMBLY
w				angles linear XXX±.01/XX±0.3 XXX±.006/XX±0.13 0'±2'	INCH/MM scale 1:1
				dr J. SHREINER 12/18/90	dwg no 68622
				engr M. HAHN 12/18/90	sheet 5 of 5 size A3
				chr M. HAHN 12/18/90	type Product Customer Drawing
				appd M. HAHN 12/18/90	
sheet index	revision sheet				

form A3

# Mouser Electronics

Authorized Distributor

Click to View Pricing, Inventory, Delivery & Lifecycle Information:

## [FCI / Amphenol:](#)

[68622-608LF](#) [68622-225](#) [68622-318](#) [68622-604](#) [68622-605](#) [68622-606](#) [68622-609](#) [68622-611](#) [68622-612](#) [68622-614](#) [68622-615](#) [68622-616](#) [68622-617](#) [68622-620](#) [68622-624](#) [68622-625](#) [68622-650](#) [68622-304](#) [68622-607](#) [68622-608](#) [68622-610](#) [68622-613](#) [68622-610LF](#) [68622-607LF](#) [68622-613LF](#) [68622-225LF](#) [68622-318LF](#) [68622-604LF](#) [68622-605LF](#) [68622-606LF](#) [68622-609LF](#) [68622-611LF](#) [68622-612LF](#) [68622-614LF](#) [68622-615LF](#) [68622-616LF](#) [68622-617LF](#) [68622-620LF](#) [68622-624LF](#) [68622-625LF](#) [68622-650LF](#) [68622-308](#) [68622-308LF](#) [68622-314](#) [68622-315LF](#) [68622-316LF](#) [68622-618](#) [68622-618LF](#) [68622-619](#) [68622-619LF](#) [68622-621](#) [68622-621LF](#) [68622-622](#) [68622-622LF](#) [68622-623](#) [68622-623LF](#) [68622-635](#) [68622-304LF](#) [68622-204](#) [68622-317](#) [68622-3052PLF](#) [68622-319](#) [68622-316](#) [68622-632](#) [68622-207](#) [68622-220](#) [68622-3142PLF](#) [68622-205](#) [68622-3072PLF](#)