

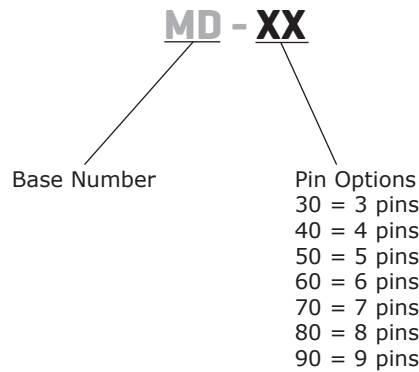
SERIES: MD | **DESCRIPTION:** MINI DIN CONNECTOR

FEATURES

- 3~9 pins
- plastic strain relief
- rated voltage: 100 Vac



PART NUMBER KEY



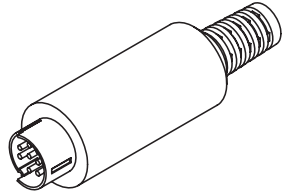
SPECIFICATIONS

| parameter | conditions/description | min | typ | max | units |
|-----------------------|-------------------------|-----|-----------|--------|------------|
| rated input voltage | | | 100 12 | | Vac Vdc |
| rated input current | at 100 Vac at 12 Vdc | | | 1 2 | A A |
| contact resistance | | | | 30 | mΩ |
| insulation resistance | at 250 Vdc | 50 | | | MΩ |
| voltage withstand | for 1 minute | | | 250 | Vac |
| insertion force | | | | 4.5 | kg |
| withdrawal force | | 0.9 | | 3 | kg |
| operating temperature | | -20 | | 105 | °C |
| life | | | 5,000 | | cycles |
| RoHS | 2011/65/EU | | | | |

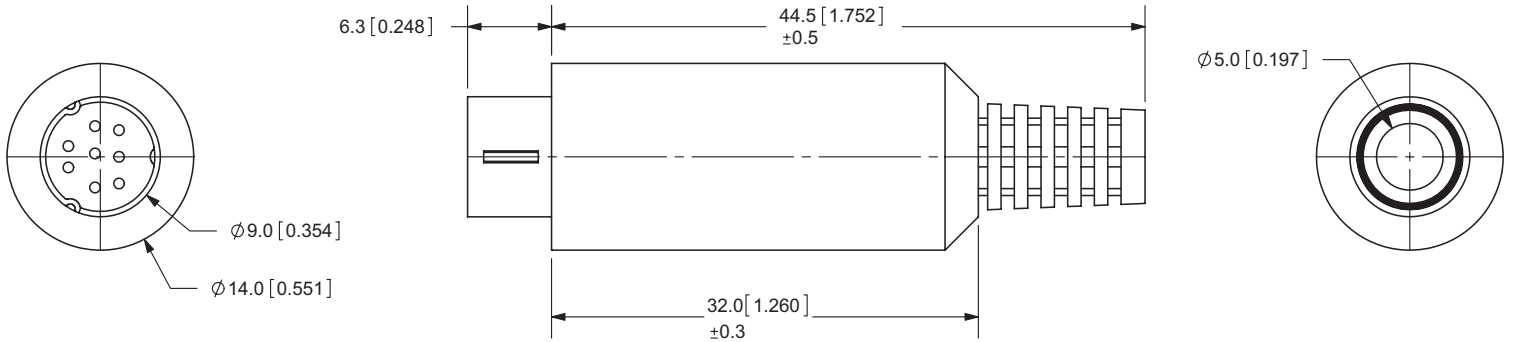
MECHANICAL DRAWINGS

units: mm[inches]

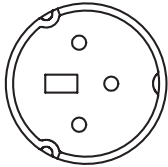
TOLERANCE: ±0.2mm



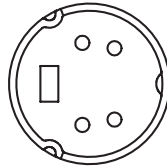
| | MATERIAL | PLATING |
|--------------------|-------------------------|---------|
| shield | brass | nickel |
| pin contacts (1~9) | brass | silver |
| insulator | Polyamide 6 (PA-1010C2) | |
| shell | ABS (PA-757) | |
| cover | UE630 + PELL (LL120) | |



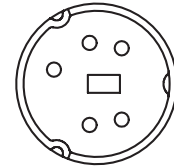
MD-30



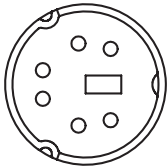
MD-40



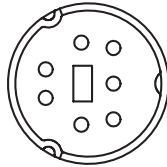
MD-50



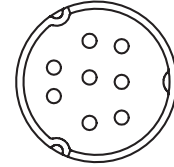
MD-60



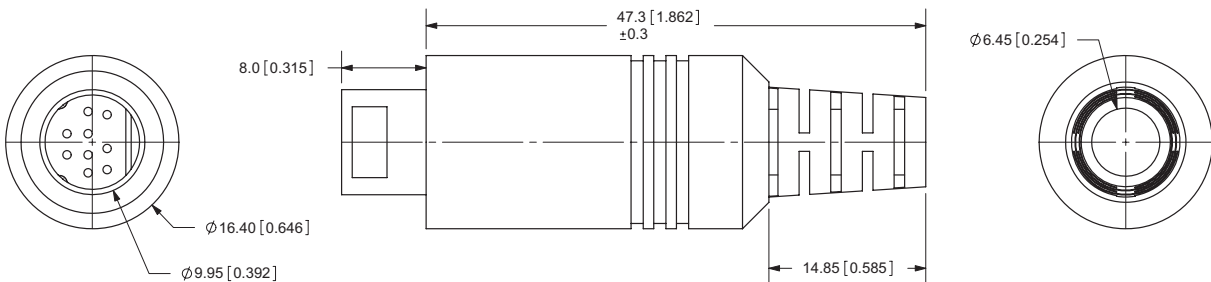
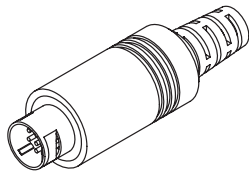
MD-70




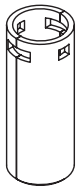
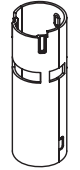
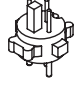
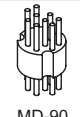
MD-80

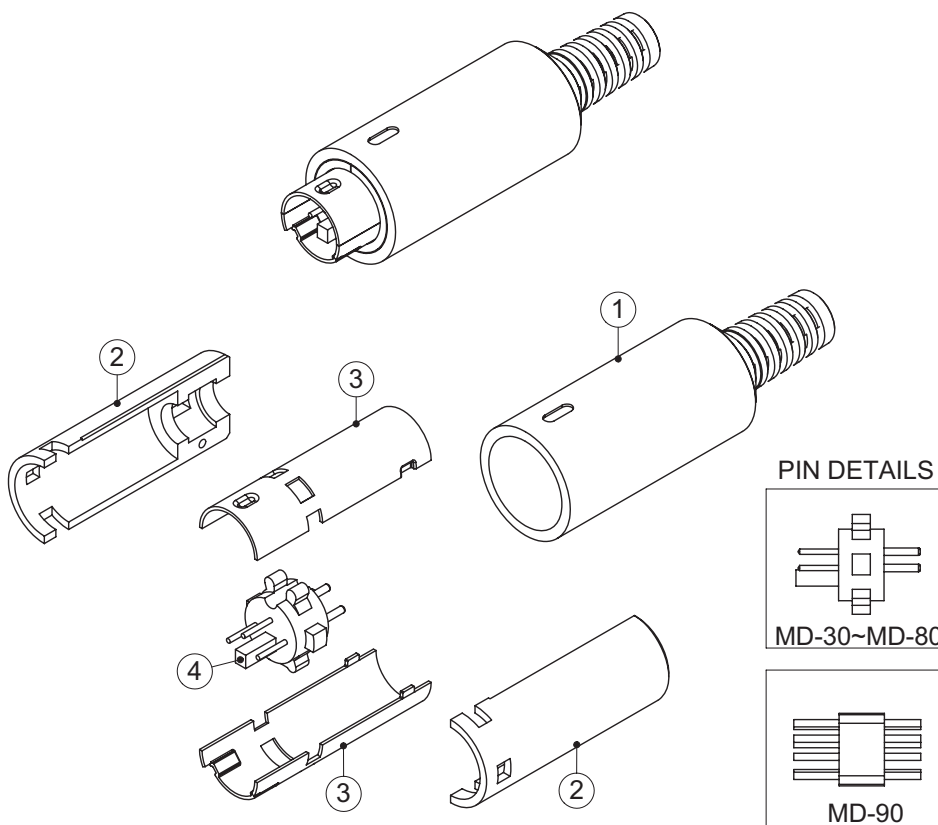


MD-90

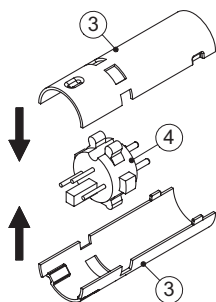


MECHANICAL ASSEMBLY

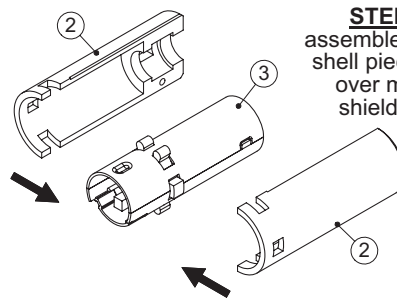
| | |
|---------------|---|
| 1 |  |
| cover | |
| 2 |  |
| plastic shell | |
| 3 |  |
| metal shield | |
| 4 |  MD-30~MD-80 |
| housing | |
| 4 |  MD-90 |
| housing | |



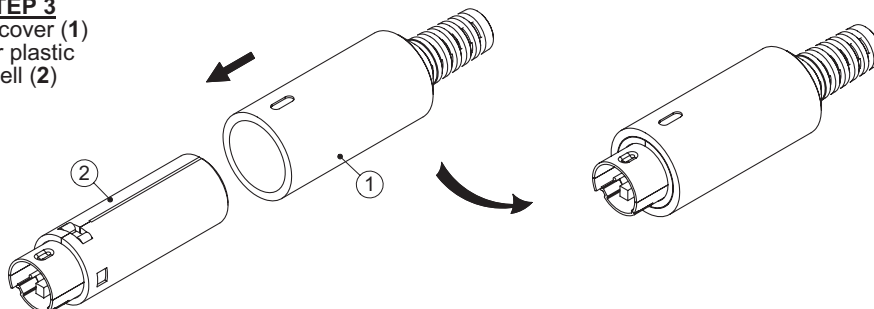
STEP 1
solder wires to housing (4), assemble metal shield pieces (3) onto housing (4)



STEP 2
assemble plastic shell pieces (2) over metal shield (3)



STEP 3
slide cover (1) over plastic shell (2)



Note: 1. The mechanical assembly is a general graphical representation only. Specific models will differ in actual appearance.
2. The metal shield for MD-90 is a single piece in which the pin housing slides into shield for assembly.

REVISION HISTORY

| rev. | description | date |
|------|--------------------------------------|------------|
| 1.0 | initial release | 04/06/2006 |
| 1.01 | updated dimensions | 02/27/2008 |
| 1.02 | added tolerance | 12/01/2009 |
| 1.03 | added insertion and withdrawal force | 05/19/2010 |
| 1.04 | new template applied | 04/09/2012 |
| 1.05 | updated housing | 04/24/2012 |
| 1.06 | added 9 pin model detail | 06/08/2017 |

The revision history provided is for informational purposes only and is believed to be accurate.



Headquarters
20050 SW 112th Ave.
Tualatin, OR 97062
800.275.4899

Fax 503.612.2383
cui.com
techsupport@cui.com

CUI offers a one (1) year limited warranty. Complete warranty information is listed on our website.

CUI reserves the right to make changes to the product at any time without notice. Information provided by CUI is believed to be accurate and reliable. However, no responsibility is assumed by CUI for its use, nor for any infringements of patents or other rights of third parties which may result from its use.

CUI products are not authorized or warranted for use as critical components in equipment that requires an extremely high level of reliability. A critical component is any component of a life support device or system whose failure to perform can be reasonably expected to cause the failure of the life support device or system, or to affect its safety or effectiveness.