

TK 1313 – Polystyrene and Polycarbonate – 130 x 130 mm (5.12 x 5.12 in.)

Standard Features

- **Protection Level:** IP66 (NEMA Type: 4X with gray cover, 12K with transparent cover)
- **Technical:** Smooth or Knockout Sidewalls
Gray or Tinted Transparent Cover
Multiple Enclosure Mounting Options
- **UL Recognized**
Enclosure Materials: Polystyrene or Polycarbonate
- **Gasket Material:** Polyurethane
- **Color:** Light Gray
- **Material**
Temperature Range: Polystyrene
-40°C to 70°C (-40°F to 158°F)
Polycarbonate
-40°C to 120°C (-40°F to 248°F)
- **Accessories:** See section below



Smooth Sidewalls

Ordering Information	Height mm (in)	Polystyrene				Polycarbonate			
		Cat. No.	Type	Cover Color	Std. Pk.	Cat. No.	Type	Cover Color	Std. Pk.
☐ Enclosure - low cover	75 mm (2.95 in)	110-405	PS 1313-7-o	gray	2	120-405	PC 1313-7-o	gray	2
☐ Enclosure - high cover	99 mm (3.90 in)	110-905	PS 1313-10-o	gray	2	120-905	PC 1313-10-o	gray	2
☐ Enclosure - low cover	75 mm (2.95 in)	111-005	PS 1313-7-to	trans.	2	130-005	PC 1313-7-to	trans.	2
☐ Enclosure - high cover	99 mm (3.90 in)	111-505	PS 1313-10-to	trans.	2	130-505	PC 1313-10-to	trans.	2

Sidewalls with Metric Knockouts

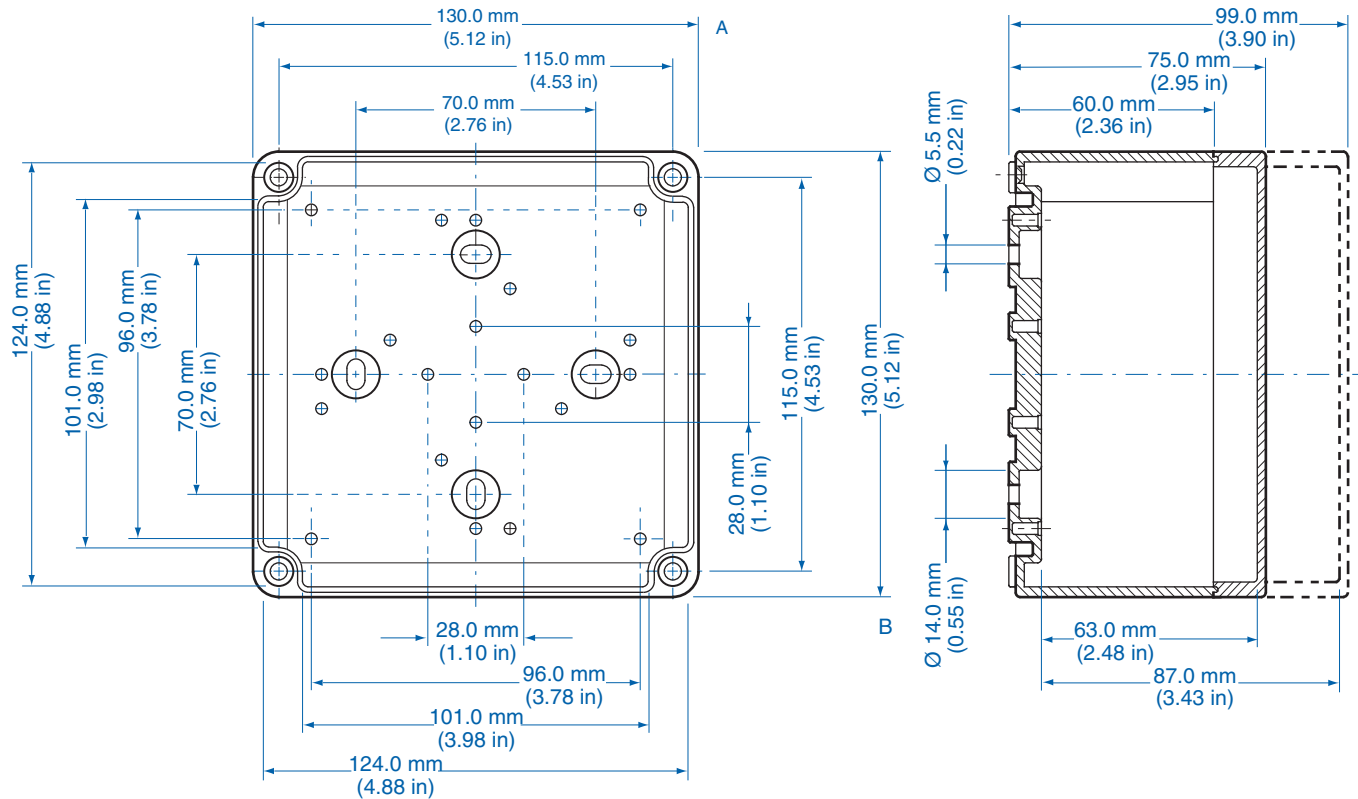
Ordering Information	Height mm (in)	Polystyrene				Polycarbonate			
		Cat. No.	Type	Cover Color	Std. Pk.	Cat. No.	Type	Cover Color	Std. Pk.
☐ Enclosure - low cover	75 mm (2.95 in)	105-405	PS 1313-7-m	gray	2	127-405	PC 1313-7-m	gray	2
☐ Enclosure - high cover	99 mm (3.90 in)	105-905	PS 1313-10-m	gray	2	127-905	PC 1313-10-m	gray	2
☐ Enclosure - low cover	75 mm (2.95 in)	106-005	PS 1313-7-tm	trans.	2	137-005	PC 1313-7-tm	trans.	2
☐ Enclosure - high cover	99 mm (3.90 in)	106-505	PS 1313-10-tm	trans.	2	137-505	PC 1313-10-tm	trans.	2

Accessories

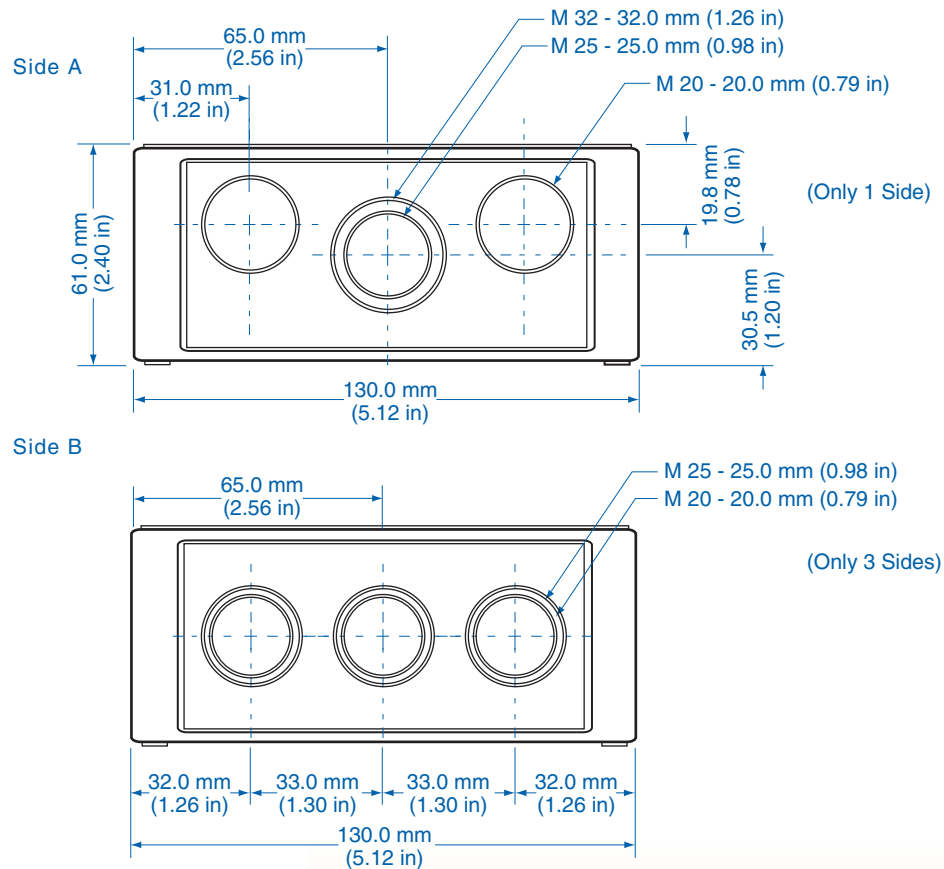
Ordering Information	Cat. No.	Type	Std. Pk.
Mounting Plate (plastic)	195-005	TKMPI-1313	1
Mounting Plate (steel)	197-005	TKMPS-1313	1
DIN Rail TS35-106mm	198-106	TS 35/106	1
DIN Rail TS15-111mm	197-111	TS 15/111	1
Hinge Kit Set	190-002	HK1	1
Mounting Tab Kit	194-001	MT1	1

Please refer to pages 149-152 for additional accessories and detailed information.

Dimensions



Knockout Positions



Mouser Electronics

Authorized Distributor

Click to View Pricing, Inventory, Delivery & Lifecycle Information:

[Altech:](#)

[110-405](#) [110-905](#) [111-005](#) [111-505](#) [120-405](#) [120-905](#) [130-005](#) [130-505](#) [105-905](#) [127-405](#) [106-505](#) [137-505](#)
[106-005](#) [137-005](#) [105-405](#)