

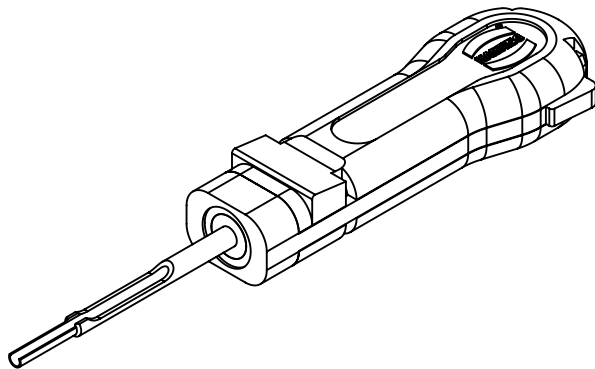
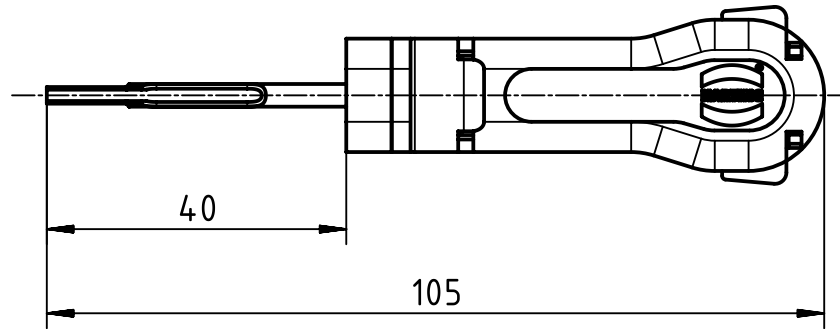
1 2 3 4 5 6

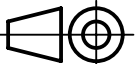

A

B

C

D



 All Dimensions in mm Original Size DIN A4	Scale	Free size tol.			Ref.
	1:1				Sub.
 All rights reserved Department EL PD	Created by	Inspected by	Standardisation	Date	State
	FINKEV	RIEPE	RUETERA	2018-08-21	Final Release
HARTING Electric GmbH & Co. KG D-32339 Espelkamp	Title				Doc-Key / ECM-Nr. 100109766/UGD/006/A 500000138996
	Insertion/Removal tool f. D-Sub				
Type		Number		Rev.	Page
TB		09 99 000 0368		A	1/1

Mouser Electronics

Authorized Distributor

Click to View Pricing, Inventory, Delivery & Lifecycle Information:

[HARTING:](#)

[09990000368](#)