

SAFETY ORGANIZATION(S):

THIS FILTER HAS BEEN FORMALLY RECOGNIZED, CERTIFIED OR APPROVED BY THE LISTED AGENCY. THEREFORE, ALL TEST/REQUIREMENTS SPECIFIED IN THE LATEST REVISION OF THE FOLLOWING AGENCY STANDARDS HAVE BEEN MET:

UL RECOGNIZED  
UL 1283  
CSA CERTIFIED  
CSA 22.2 NO. 0, 0.4, 8  
VDE APPROVED  
VDE 565-3

OPERATING SPECIFICATIONS:

LINE VOLTAGE/CURRENT:  
20 AMP., 120/250 VAC  
16A/40°C, 250VAC  
50-60Hz  
40°C  
LINE FREQUENCY:  
MAX. CASE RISE  $\theta$  RATED CURRENT:  
MAX. LEAKAGE CURRENT, EACH  
LINE TO GROUND  
OPERATING AMBIENT TEMP. RANGE:  
.75 mA at 120V 60 Hz  
1.25 mA at 250V 50 Hz  
-10°C TO +40°C  $\theta$  RATED CURRENT,  $I_r$

IN AN AMBIENT,  $T_a$ , HIGHER THAN 40°C, THE MAXIMUM OPERATING CURRENT,  $I_o$ , IS AS FOLLOWS:

$$I_o = I_r \sqrt{\frac{85 - T_a}{45}}$$

RELIABILITY SPECIFICATIONS:

STORAGE TEMPERATURE:  
-40°C TO +85°C  
HUMIDITY:  
21 DAYS @ 40°C 95% RH  
CURRENT OVERLOAD TEST:  
6 TIMES RATED CURRENT FOR 8 SECONDS

TEST SPECIFICATIONS:

INDUCTANCE:  
6.06 mH NOMINAL  
CAPACITANCE: (MEASURED @ 1 KHz, 0.25 VAC MAX., 25°C  $\pm$ 1°C)  
LINE TO GROUND:  
.01  $\mu$ F  $\pm$ 20%  
LINE TO LINE:  
.54  $\mu$ F  $\pm$ 20%  
DISCHARGE RESISTOR  
470K $\Omega$   
LINE/GROUND AND LINE/LINE  
INSULATION RESISTANCE  
6000 M $\Omega$  (MIN) AT 100 VDC  
20°C AND 50% RH

RECOMMENDED RECEIVING INSPECTION HIPOT:

LINES TO GROUND:  
2250 VDC FOR 1 MINUTE  
LINE TO LINE:  
1450 VDC FOR 1 MINUTE

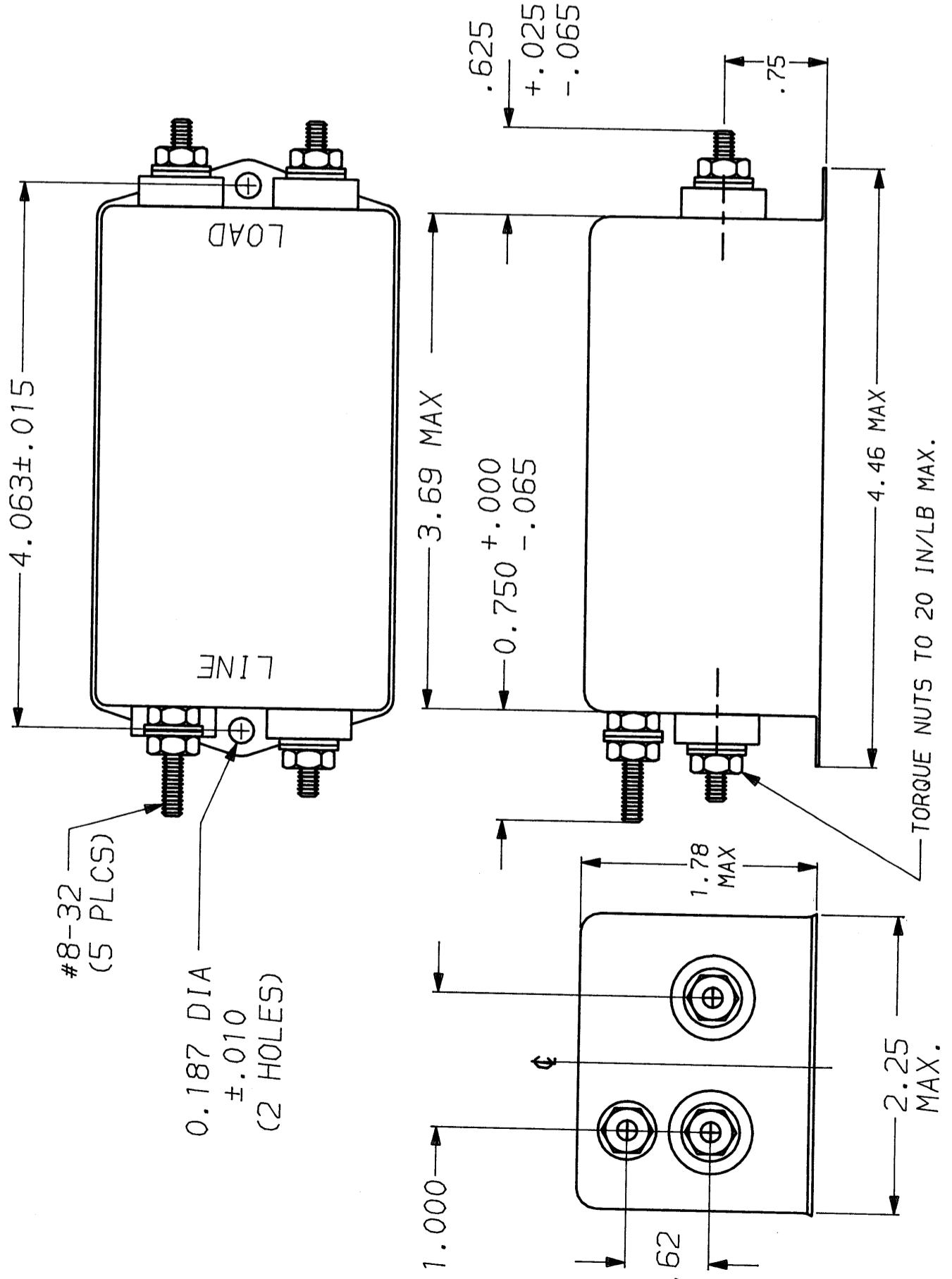
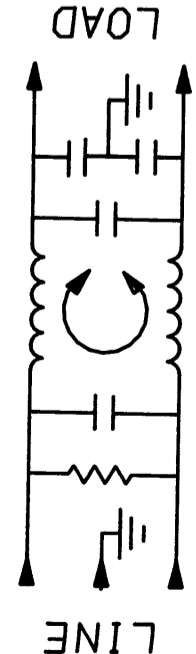
FILTER APPROVAL:

THE BEST WAY TO SELECT AND QUALIFY A FILTER IS FOR YOUR ENGINEERING TO TEST THE UNIT IN YOUR EQUIPMENT.

50 $\Omega$  - 50 $\Omega$  (MINIMUM) INSERTION LOSS

FREQUENCY MHZ	.01	.08	.1	.15	.5	1.0	5.0	10	30
COMMON dB	7	23	25	29	43	44	48	48	48
DIFF. dB	1	10	8	8	45	60	65	60	60

This document is proprietary to CORCOM INC. and is not to be reproduced nor used for manufacturing purposes except on CORCOM's order or prior written consent.



TOLERANCE EXCEPT AS NOTED

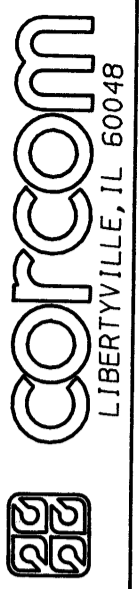
DECIMAL: .XXX .XX .X ANGLES  
ENGLISH:  $\pm$ .025  
METRIC:  $\pm$

MATERIAL:

AS SUPPLIED

FINISH:

AS SUPPLIED



POWER LINE FILTER

SCALE	DATE	DRG. NO.	REV.
NTS	9-12-89	20VSK6.01	
DRW. BY	ORIGINATOR		
TDL	CW		

# Mouser Electronics

Authorized Distributor

Click to View Pricing, Inventory, Delivery & Lifecycle Information:

[TE Connectivity:](#)

[20VSK6](#)