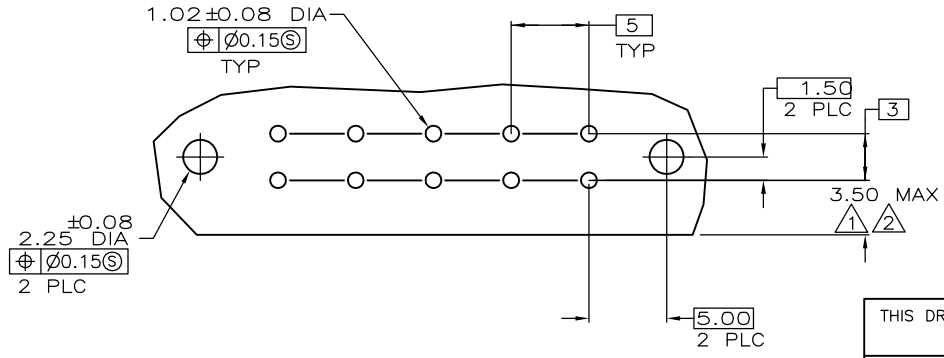
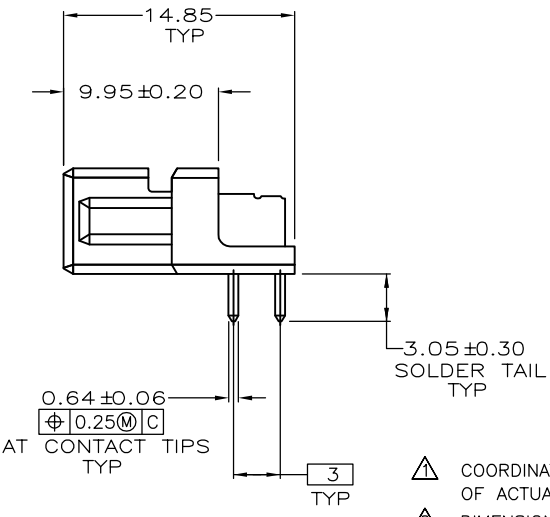
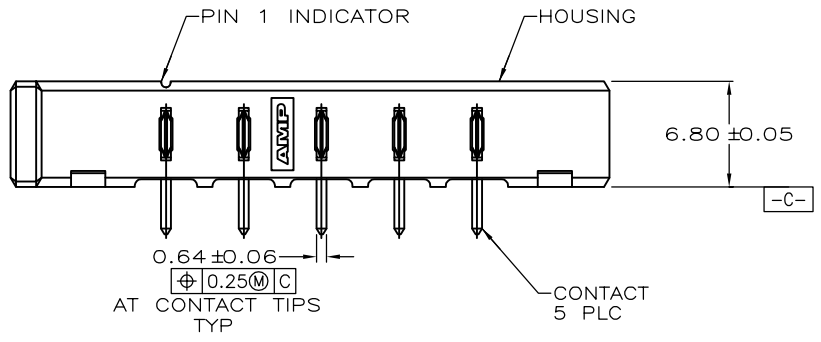
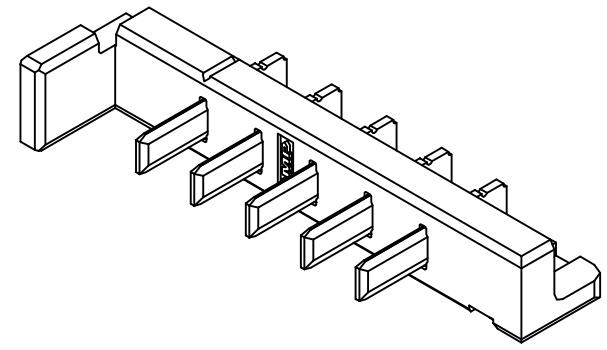
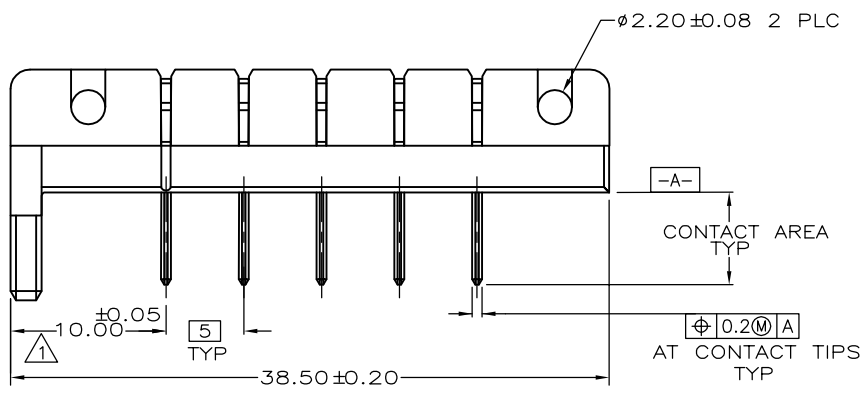


THIS DRAWING IS UNPUBLISHED. RELEASED FOR PUBLICATION
 © COPYRIGHT - BY TYCO ELECTRONICS CORPORATION. ALL RIGHTS RESERVED.

LOC	DIST	REVISIONS					
ES	00	P	LTR	DESCRIPTION	DATE	DWN	APVD
		0		RELEASED	ECR-05-001438	25MAR05	J.Z I.E



- ▲ COORDINATE DIMENSION APPLIES FROM CENTER OF ACTUAL FEATURE.
- ▲ DIMENSION CAN BE EXCEEDED FOR APPLICATIONS WHERE FINAL MATED POSITION OF PACK IS ABOVE TOP SURFACE OF PCB.
- ▲ HOUSING: LCP, COLOR BLACK
- ▲ CONTACTS: BRASS
- ▲ CONTACTS: 2.54um MIN TIN ON SOLDER TAIL OVER 1.90um MIN NICKEL ALL OVER.

5787246-1

THIS DRAWING IS A CONTROLLED DOCUMENT.		DWN	G.DOUTY	06-07-94	tyco Electronics	Tyco Electronics Corporation Shanghai PRC			
DIMENSIONS: mm		CHK	S.KLINE	06-30-94		NAME HEADER ASSEMBLY, RIGHT ANGLE, LEFT VOLTAGE KEY, 10.8V, BATTERY INTERCONNECTS	SIZE	CAGE CODE	DRAWING NO
TOLERANCES UNLESS OTHERWISE SPECIFIED:		APVD	S.KLINE	06-30-94	PRODUCT SPEC		A3	00779	C-5787246
MATERIAL		APPLICATION SPEC	FINISH			WEIGHT	CUSTOMER DRAWING		
▲		▲			SCALE 3:1			SHEET 1 OF 1	REV 0

Mouser Electronics

Authorized Distributor

Click to View Pricing, Inventory, Delivery & Lifecycle Information:

[TE Connectivity:](#)

[5787246-1](#)