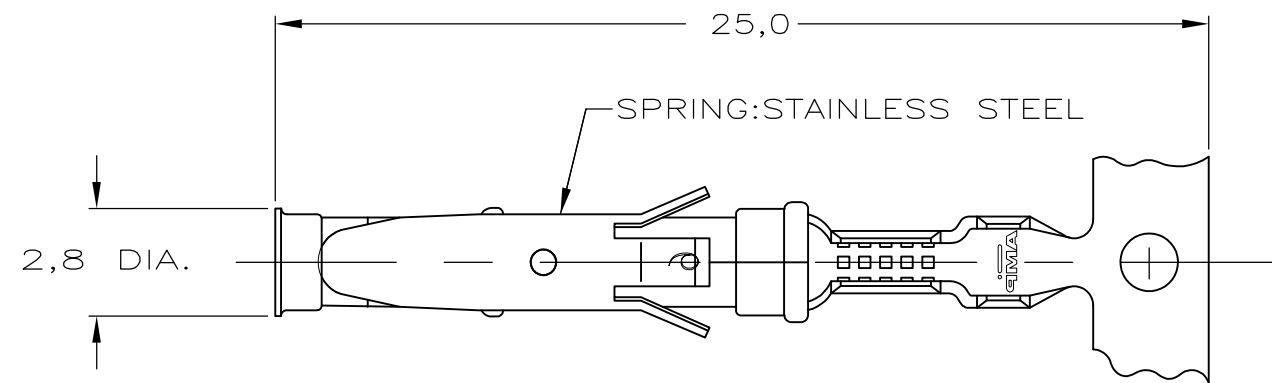
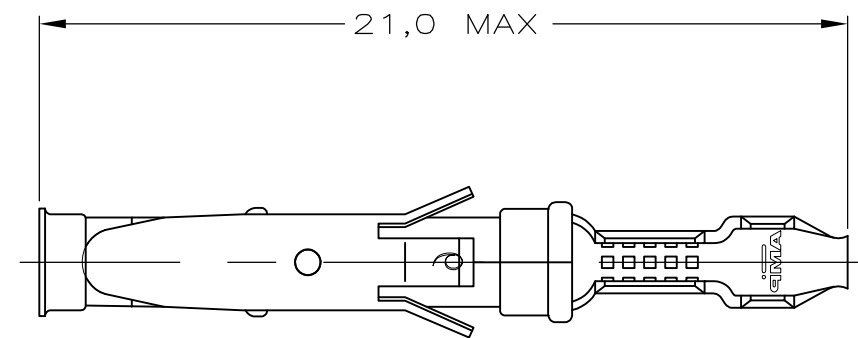


THIS DRAWING IS UNPUBLISHED. RELEASED FOR PUBLICATION
 © COPYRIGHT - By - ALL RIGHTS RESERVED.

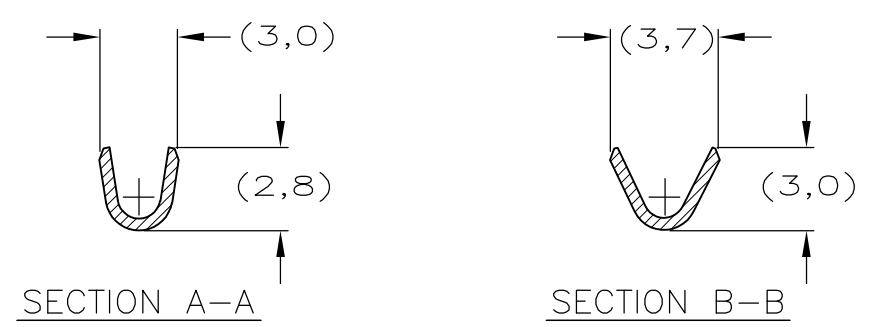
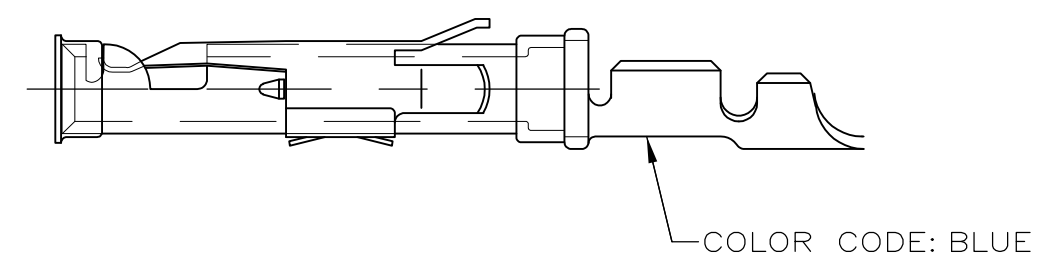
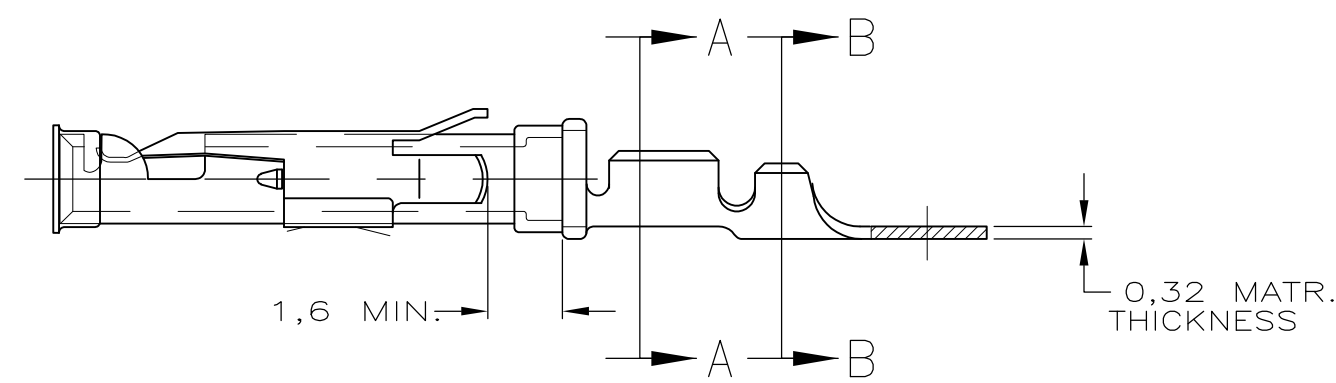
LOC	DIST	REVISIONS					
		P	LTR	DESCRIPTION	DATE	DWN	APVD
-	-	F2		ADDITION OF NOTE 4, TEXT "MAX" TO DIM 21.0 IN ZONE D2 AND TEXT "REF" DIM 3.0, 2.8, 3.7, & 3.0 IN ZONE B4 & B3.	21JULY2015	TJ	PS



STRIP



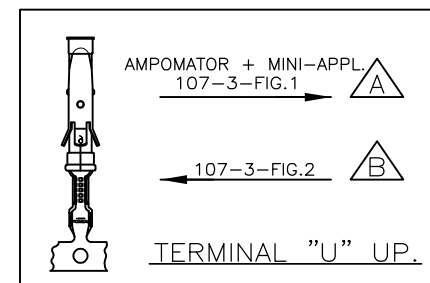
LOOSE-PIECE



WIRE RANGE : 0,75-1,50 mm² (18-16 AWG)
 INSUL. RANGE : 2,0 -2,5 mm (.080-.100)

- NOTES :
- FOR CRIMP DETAILS SEE SPEC. 114-19000
 - MEETS PRODUCT SPECIFICATION 108-10042
 - OBsolete PARTS: OBSOLETE CIS STREAMLINING PER D.RENAUD/D.SINISI
 - OMISSION OF 6 CONTACTS MAX PER REEL OF 5000PCS

OBsolete	PART NUMBER	DIRECTION OF REEL	LOOSE-PIECE	MATERIAL	PLATING
OBsolete	163767-6	A		PH.BRONZE	SILVER
	163767-5	A		PH.BRONZE	SEL.GOLD
	163767-4	A		PH.BRONZE	EL.TIN
OBsolete	163767-3	B	164840-3	PH.BRONZE	SILVER
OBsolete	163767-2	B	164840-2	PH.BRONZE	SEL.GOLD
OBsolete	163767-1	B	164840-1	PH.BRONZE	EL.TIN



NOTES	MATERIAL	THICKNESS	AREA
20	TIN	2,0 μm	ALL OVER
21	NICKEL GOLD TIN	0,8 μm	ALL OVER CONTACT AREA BARREL
22	NICKEL GOLD GOLD	0,8 μm	ALL OVER CONTACT AREA ALL OVER
23	NICKEL GOLD GOLD	1,2 μm	ALL OVER CONTACT AREA ALL OVER
27	NICKEL SILVER TIN	2,5 μm	ALL OVER CONTACT AREA BARREL
28	SILVER	0,5 μm	ALL OVER
29	SILVER	2,5 μm	ALL OVER

THIS DRAWING IS A CONTROLLED DOCUMENT.

DIMENSIONS: mm

TOLERANCES UNLESS OTHERWISE SPECIFIED:

0 PLC	± -
1 PLC	± -
2 PLC	± -
3 PLC	± -
4 PLC ANGLES	± -

MATERIAL REFER TABLE

FINISH REFER TABLE

DWN L.V.D.HEYDEN 19.08.1987

CHK P.V.D.HAGEN

APVD L.V.SOEST

PRODUCT SPEC 108-10042

APPLICATION SPEC 114-19000

WEIGHT -

CUSTOMER DRAWING

SCALE -

SHEET 1 OF 1

REV F2

RESTRICTED TO -

STE TE Connectivity

TYPE III+, SIZE 16, SOCKET ASS'Y,
18-16 AWG, 2.0-2.5mm DIA INSULATION

SIZE A3 CAGE CODE 00779 DRAWING NO C-163767