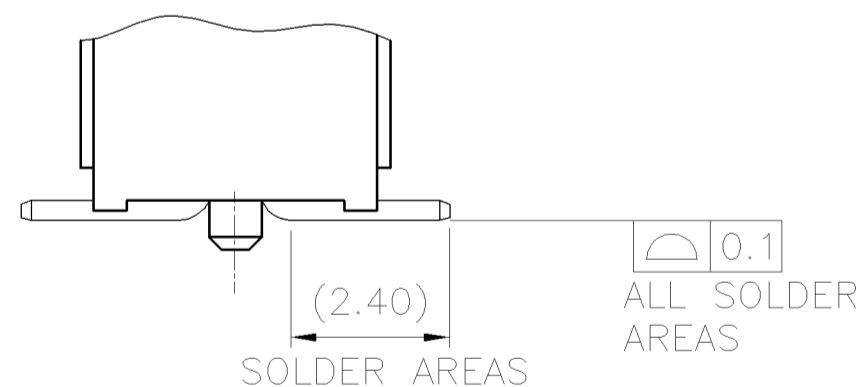
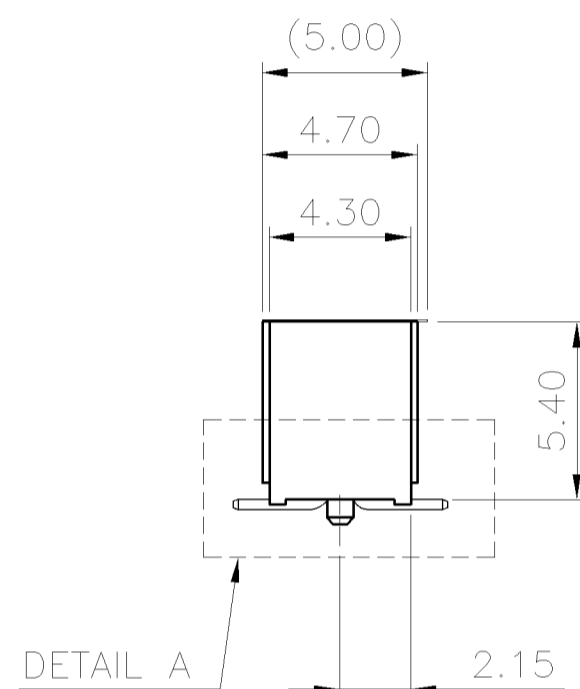
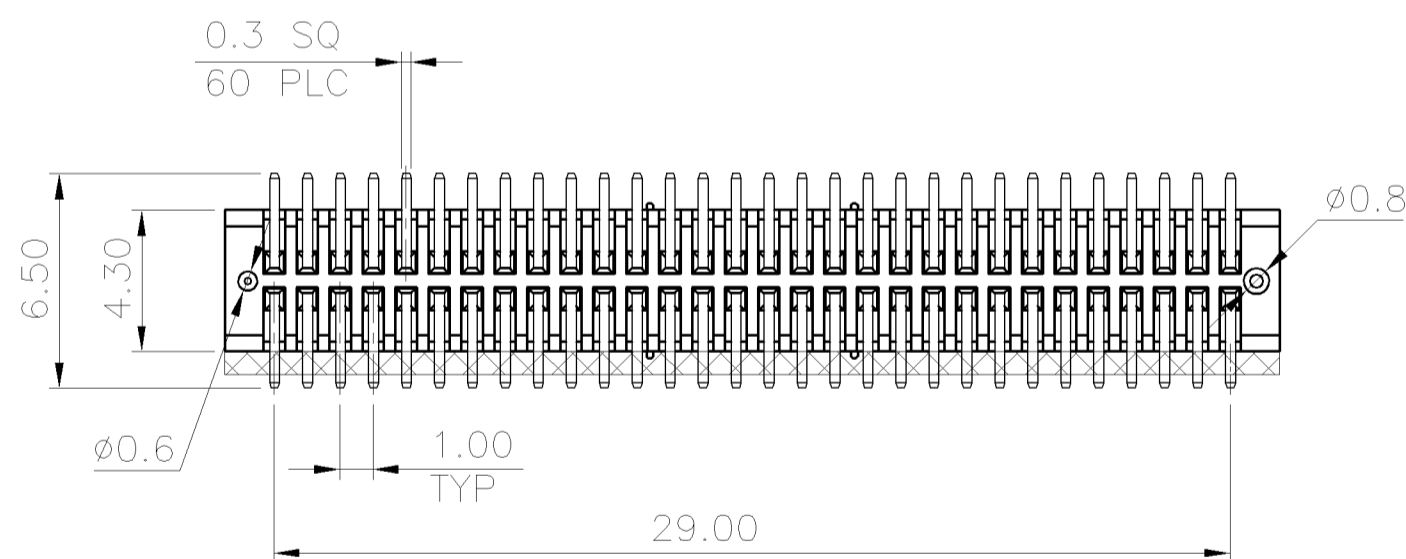
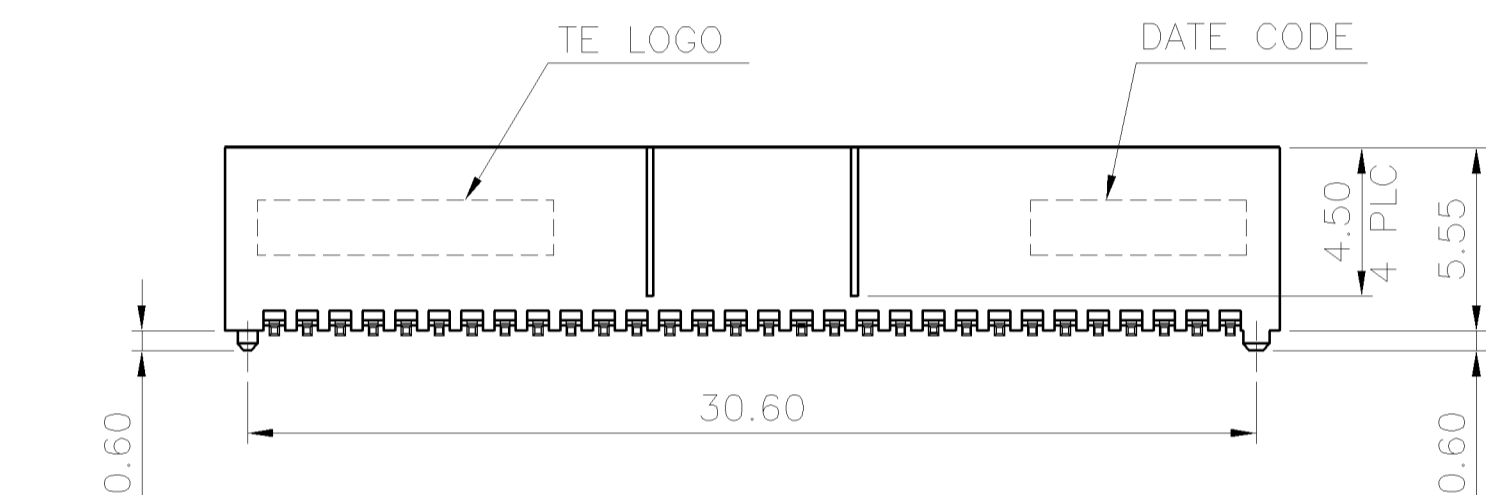
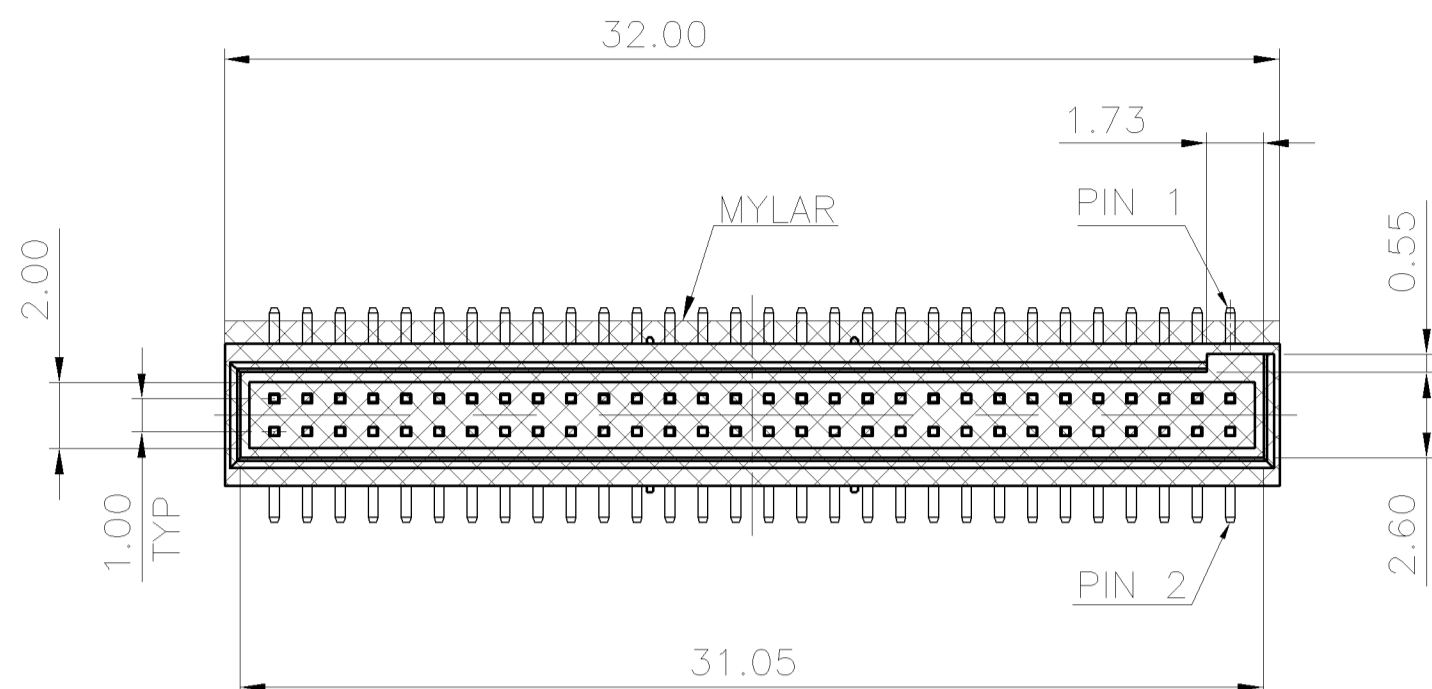


THIS DRAWING IS UNPUBLISHED. RELEASED FOR PUBLICATION
 © COPYRIGHT BY TYCO ELECTRONICS CORPORATION. ALL RIGHTS RESERVED.

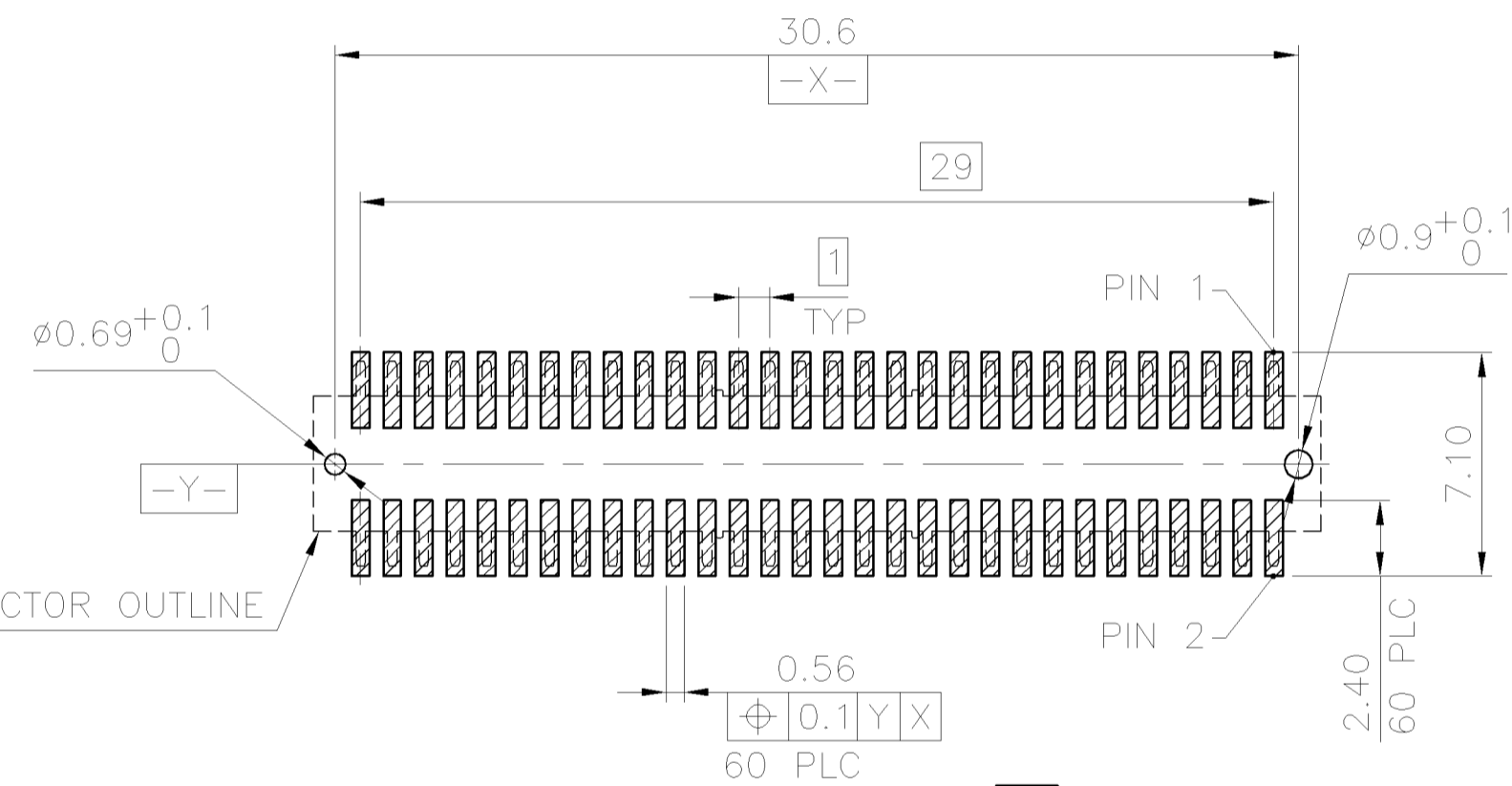
| LOC | | DIST | | REVISIONS | | | | | |
|-----|--|------|--|-----------|-----|-------------|---------|-----|------|
| DW | | | | P | LTR | DESCRIPTION | DATE | DWN | APVD |
| | | | | A | | RELEASED | 04SEP08 | AW | WK |

NOTE:

- MATERIAL:
HOUSING: PA9T WITH 33% GF, UL 94V-0, BLACK COLOR.
CONTACTS: BRASS.
MYLAR: PI.
- FINISH:
CONTACTS: GOLD FLASH OVER 1.27 μ m [50 μ "] MIN. NICKEL ON ENTIRE CONTACT.
- PART NUMBER OF MATING RECEPTACLE: 1775731-1.
- REFLOW SOLDER CAPABLE TO 260°C PER TE TEST SPEC. 109-201, CONDITION B.



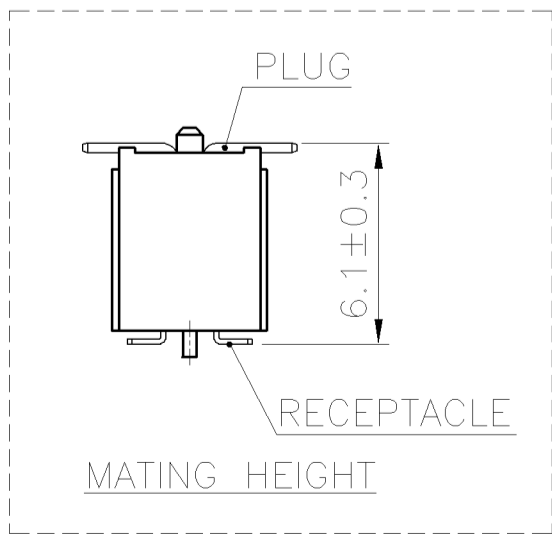
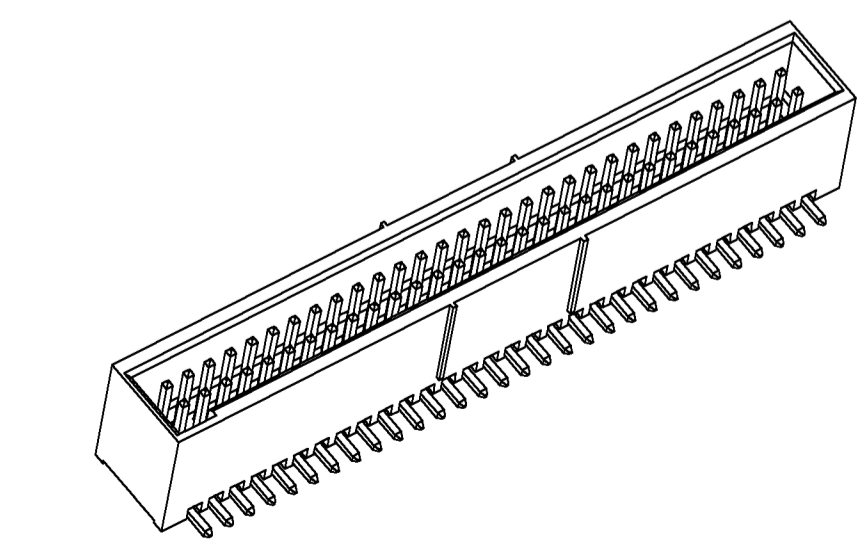
DETAIL A
SCALE 2:1



TOLERANCE: ± 0.05 , THICKNESS: 1.2mm
RECOMMENDED PCB LAYOUT
 (TOP VIEW)

SOLDER AREAS

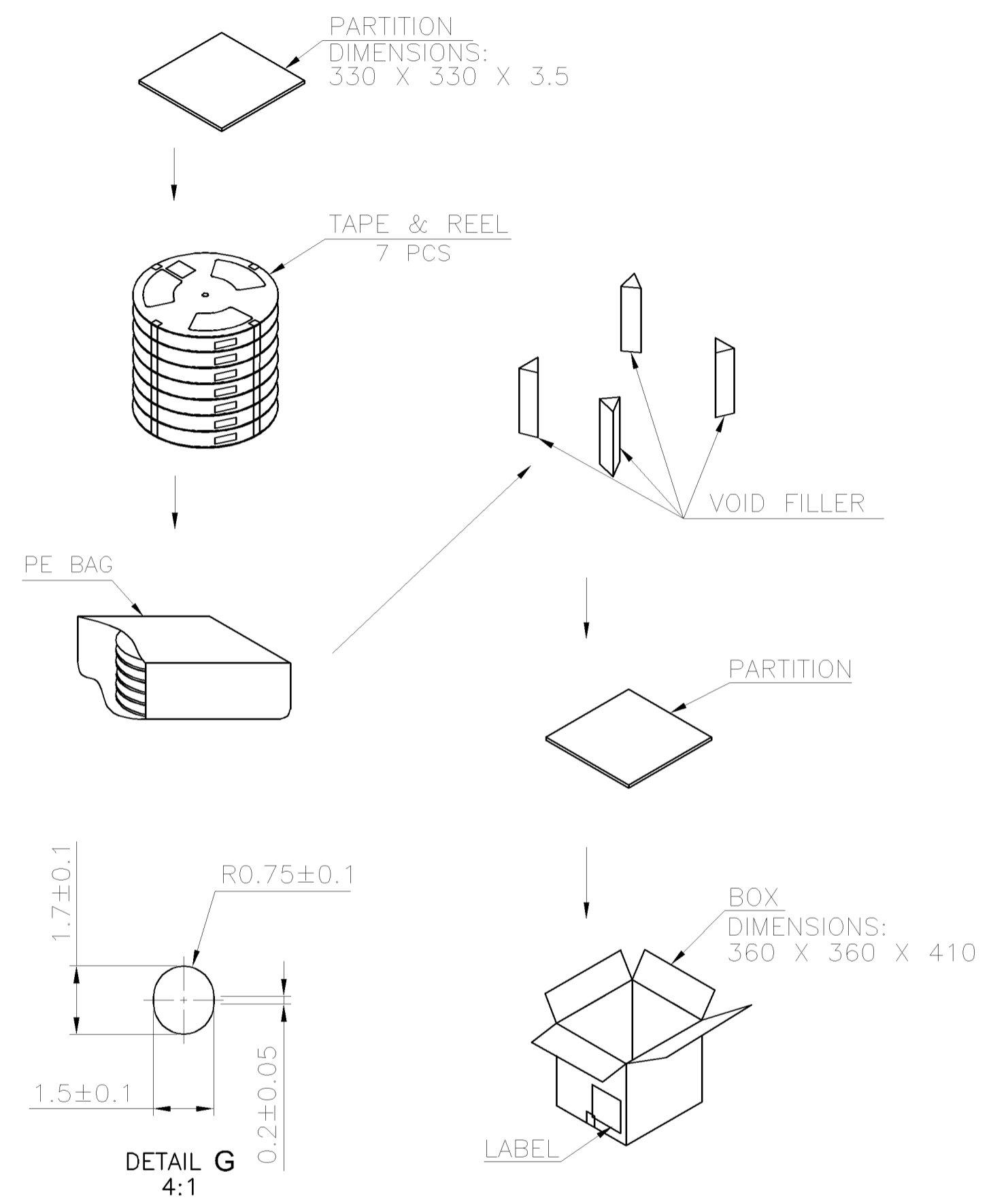
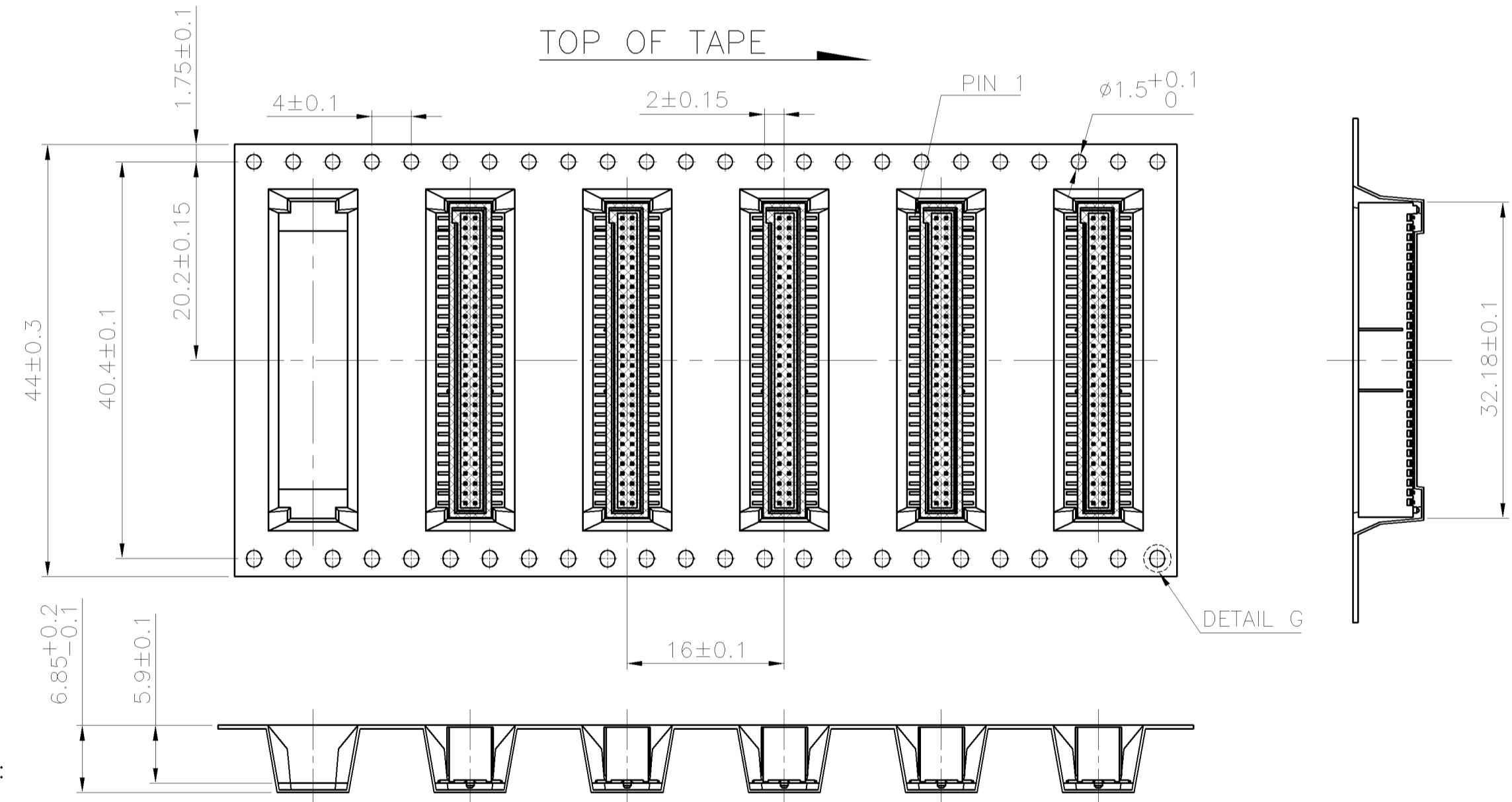
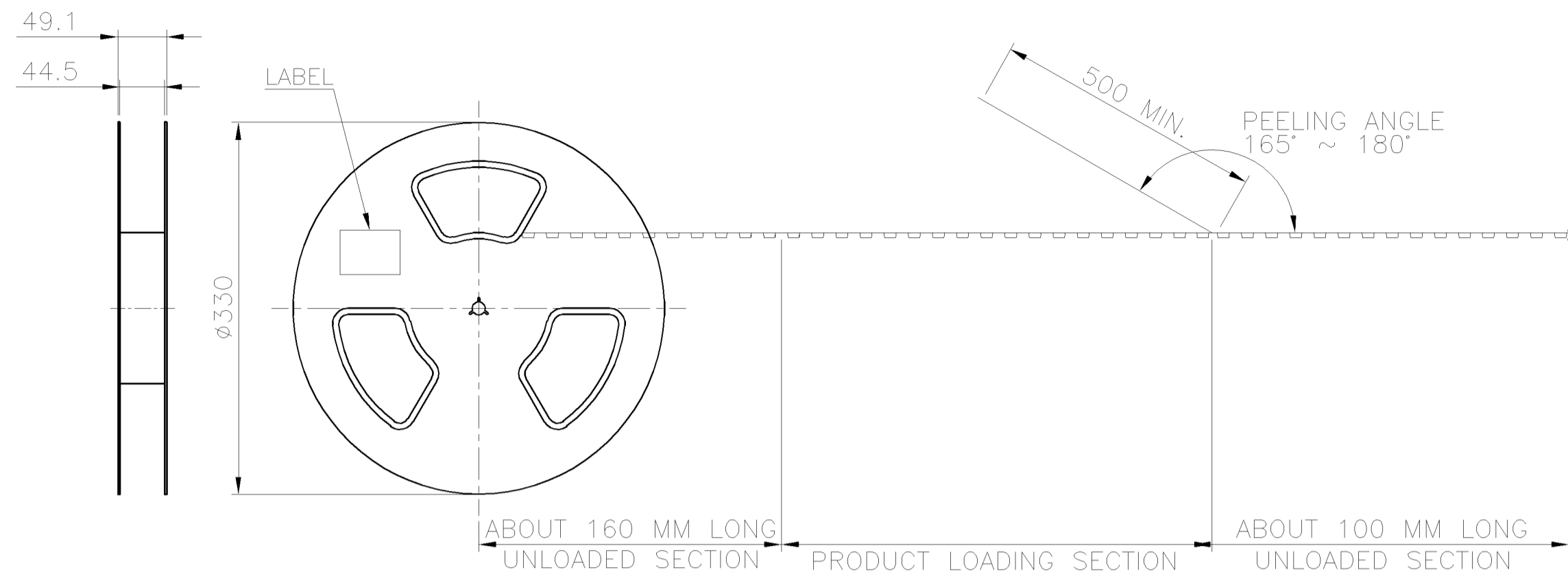
1775730-1
 PART NUMBER



| | | | | | |
|--|--|--------------------|-----------|--|--|
| THIS DRAWING IS A CONTROLLED DOCUMENT. | | DWN A. WU | 04SEP2008 | Tyco Electronics Corporation Taipei, Taiwan | |
| DIMENSIONS: MM | | CHK S. CHIEN | 04SEP2008 | NAME | |
| TOLERANCES UNLESS OTHERWISE SPECIFIED: | | APVD W. KODAMA | 04SEP2008 | 108-57708 | |
| 0 PLC $\pm -$ | | PRODUCT SPEC | | APPLICATION SPEC | |
| 1 PLC ± 0.3 | | 108-57708 | | SIZE | |
| 2 PLC ± 0.25 | | APPLICATION SPEC | | CAGE CODE | |
| 3 PLC ± 0.2 | | - | | DRAWING NO | |
| 4 PLC $\pm -$ | | WEIGHT 0.98 GRAMS | | RESTRICTED TO | |
| ANGLES $\pm 3'$ | | CUSTOMER DRAWING | | - | |
| MATERIAL SEE NOTE | | FINISH SEE NOTE | | SCALE - | |
| | | A300779 | | SHEET 1 OF 2 | |
| | | G=1775730 | | REV A | |

THIS DRAWING IS UNPUBLISHED. RELEASED FOR PUBLICATION
 © COPYRIGHT BY TYCO ELECTRONICS CORPORATION. ALL RIGHTS RESERVED.

| LOC | DIST | REVISIONS | | | | | |
|-----|------|-----------|-----|--------------|------|-----|------|
| DW | — | P | LTR | DESCRIPTION | DATE | DWN | APVD |
| | | | | SEE SHEET 1. | | | |



- NOTE:
- MATERIAL:
 BOX: FIBREBOARD, CORRUGATED, DOUBLE WALL.
 TAPE: POLYSTYRENES, HEAT-RESISTANT TEMPERATURE: 120°C, BLACK COLOR.
 REEL: POLYSTYRENES, HEAT-RESISTANT TEMPERATURE: 70°C, BLUE COLOR.
 BAG: POLYETHYLENE, HEAT-RESISTANT TEMPERATURE: 100°C.
 - PEELING STRENGTH: 0.1 ~ 1.3 N (10 ~ 130 GRAMS)
 - PEELING SPEED: 300 mm/min.
 - EACH BAG SHALL BE INCLUDED: DESICCANT.

| 600 | 7 | 4200 PCS | 9.39 KG | 4.12 KG |
|----------|-----------|----------|--------------|------------|
| PCS/TAPE | REELS/BOX | QUANTITY | GROSS WEIGHT | NET WEIGHT |

THIS DRAWING IS A CONTROLLED DOCUMENT.

| | | | |
|------------------|---|-----------|--|
| DWN | A. WU | 04SEP2008 | Tyco Electronics Corporation Taipei, Taiwan |
| CHK | S. CHIEN | 04SEP2008 | |
| APVD | W. KODAMA | 04SEP2008 | |
| NAME | 1.0 PITCH BOX HEADER, TWO-ROW, 60 POSITION, SMT, 6.1 MATING HEIGHT, PLUG | | |
| DIMENSIONS: | TOLERANCES UNLESS OTHERWISE SPECIFIED: | | RESTRICTED TO |
| MM | 0 PLC ± - 1 PLC ± - 2 PLC ± - 3 PLC ± - 4 PLC ± - ANGLES ± - | | |
| MATERIAL | FINISH | | SIZE |
| CUSTOMER DRAWING | | | CAGE CODE |
| WEIGHT | | | DRAWING NO |
| SCALE | | | REV |
| SHEET | | | 2 OF 2 |

Mouser Electronics

Authorized Distributor

Click to View Pricing, Inventory, Delivery & Lifecycle Information:

[TE Connectivity:](#)

[1775730-1](#)